

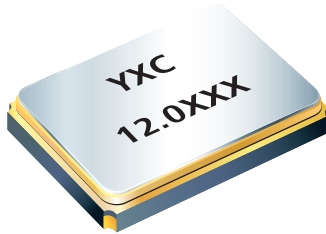


给您一颗快乐的“芯”！

YSX531SL



Features



- External dimensions: 5.0 x 3.2 x 0.9 mm.
- Frequency range: 8MHz ~ 54MHz.
- High precision characteristics covering up to wide frequency range.
- Higher frequency stability and reliability.
- Excellent for reducing EMI effect.
- The best choice of Bluetooth, wireless communication set, DSC, PDA, mobile phone and USB interface card.

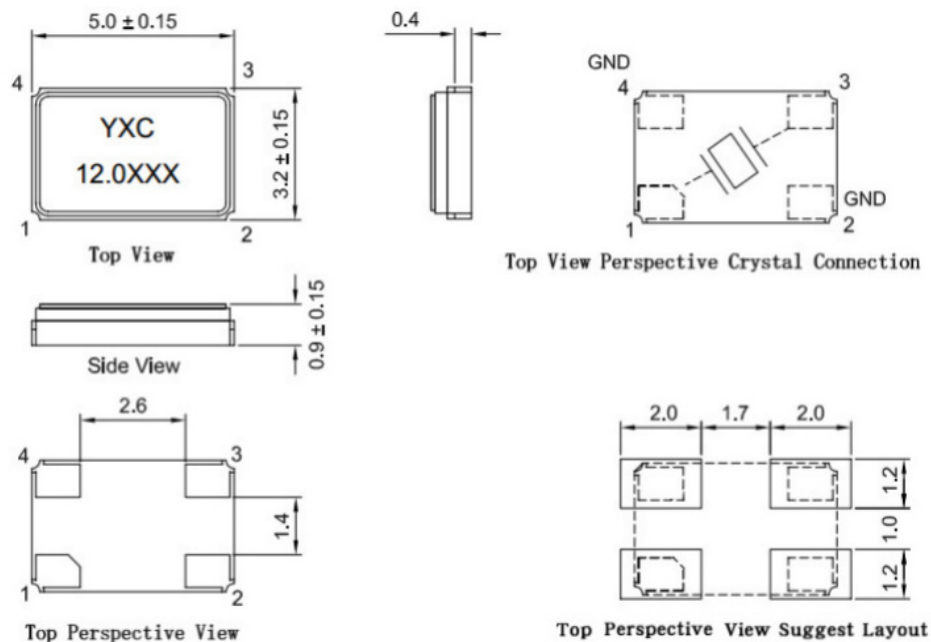
Electrical Specifications

| Item / Type | YSX531SL |
|--|--|
| Nominal Frequency Range | 8 ~ 54 MHz |
| Vibration Mode | AT Fundamental |
| Load Capacitance | 12pF, 20pF, or specify |
| Frequency Tolerance (at 25 °C) | ± 10 ppm, ± 20 ppm, or specify |
| Frequency Versus Temperature Characteristics | ±20 ppm, or specify |
| Operating Temperature | - 20 ~ + 70 °C , - 40 ~ + 85 °C , or specify |
| Storage Temperature | - 40 ~ + 85 °C , or specify |
| Shunt Capacitance | 7 pF Max. |
| Level Of Drive | 1~100 μW Max. (10 uW typical) |
| Frequency Aging (at 25 °C) | ± 3 ppm / year Max. |
| Insulation Resistance | More Than 500MΩ at DC 100V |

Equivalent Series Resistance(ESR)

| Fundamental | |
|-------------|-------------|
| 8 ~ 12 MHz | 60 Ω ~ 80 Ω |
| 12 ~ 25 MHz | 40 Ω ~ 60 Ω |
| 25 ~ 54 MHz | 30 Ω ~ 40 Ω |

Dimensions



Units: mm



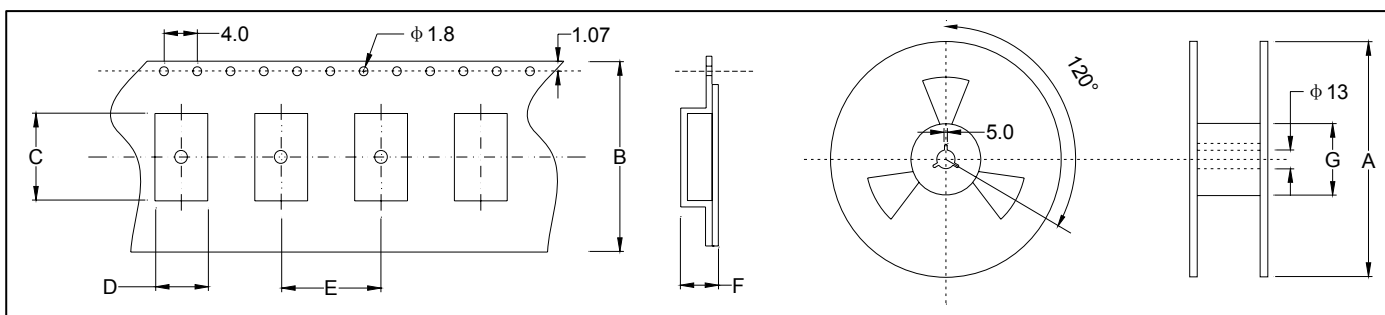
给您一颗快乐的“芯”！

YSX531SL

★ PART NUMBER GUIDE 部件号示例 e.g. X503212MSD4SC YSX531SL=5.0 ×3.2 SMD SEAM TYPE

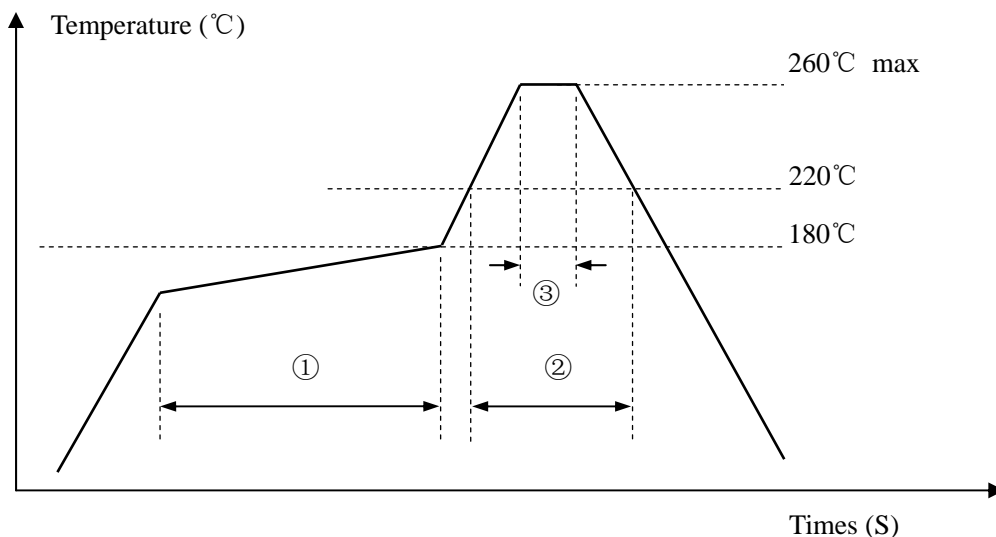
| Quartz Crystal Resonator | Dimensions | Frequency (Hz) | Load Capacitance (Pf) | Frequency Stability Overall (ppm) | Pin | Material | Operating Temp. Range |
|--------------------------|------------|----------------|-----------------------|-----------------------------------|-----|----------|-----------------------|
| X | 5032 | 12M | S | D | 4 | S | C |

★ TAPING SPECIFICATION (Unit: mm) 编带规格



| | A | B | C | D | E | F | G |
|-------------------|---------|----------|-----------|-----------|----------|-----------|-----------|
| SMD5032 | 178±2.0 | 12.0±0.3 | 5.80±0.10 | 4.05±0.10 | 7.65±0.1 | 1.60±0.10 | 57.15±1.0 |
| 1000 pcs per reel | | | | | | | |

★ REFLOW SOLDERING PROFILE 回流焊特性



| | | | | |
|---------------------|---|--------------|-----------|-------------|
| Pb free reflow A | ① | Preheat | 160~180°C | 120sec. max |
| | ② | Primary heat | 220°C | 60sec. max |
| | ③ | Peak | 260°C | 10sec. max. |