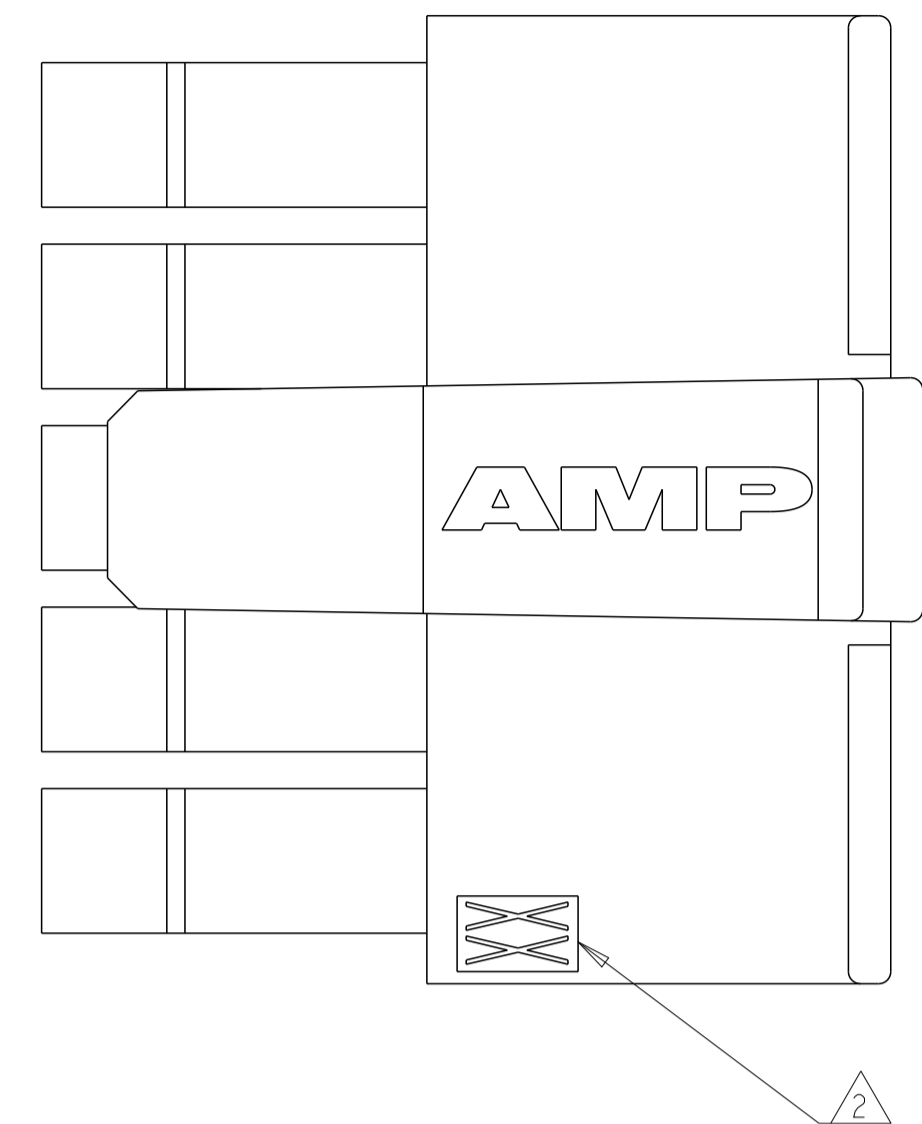
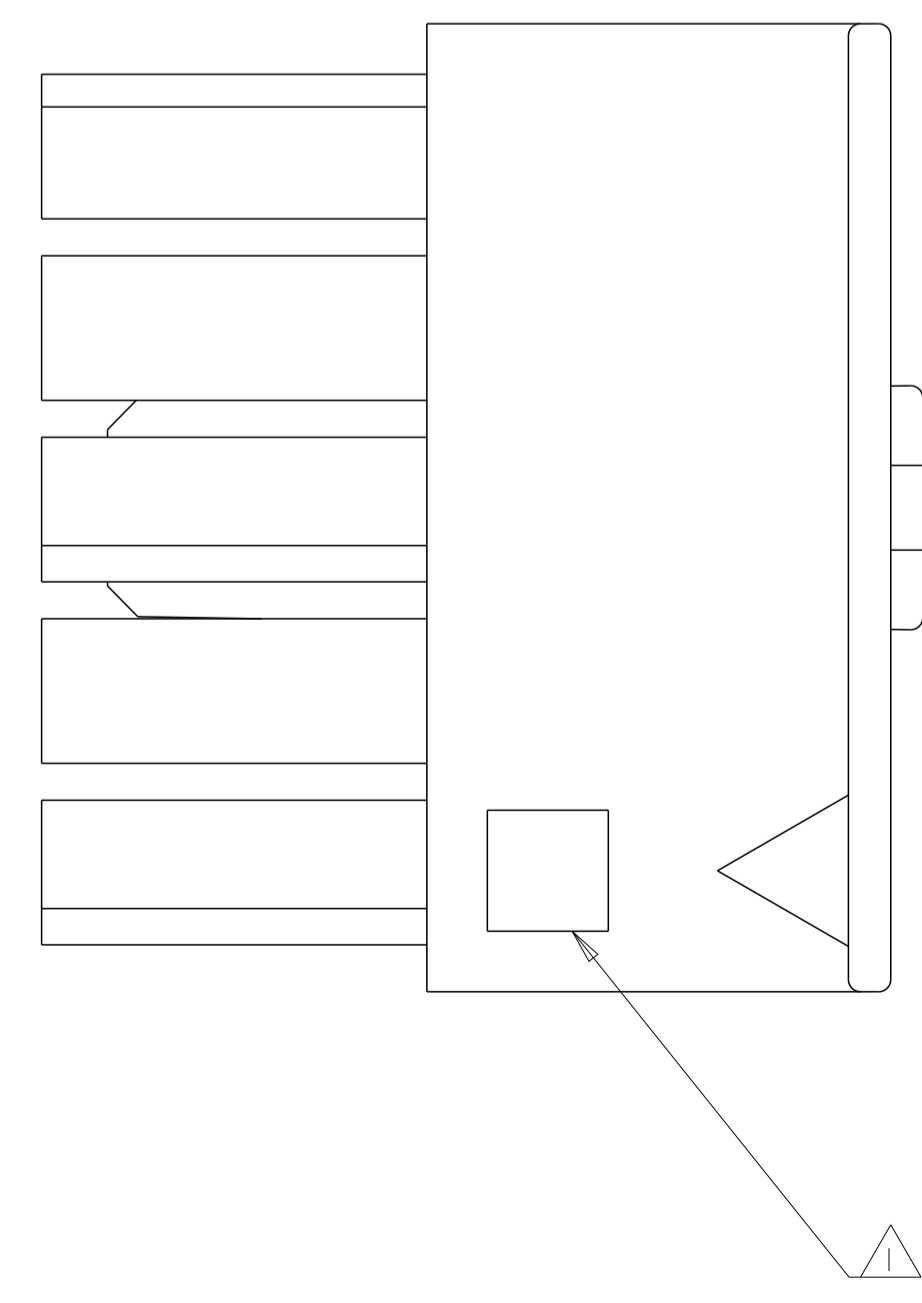
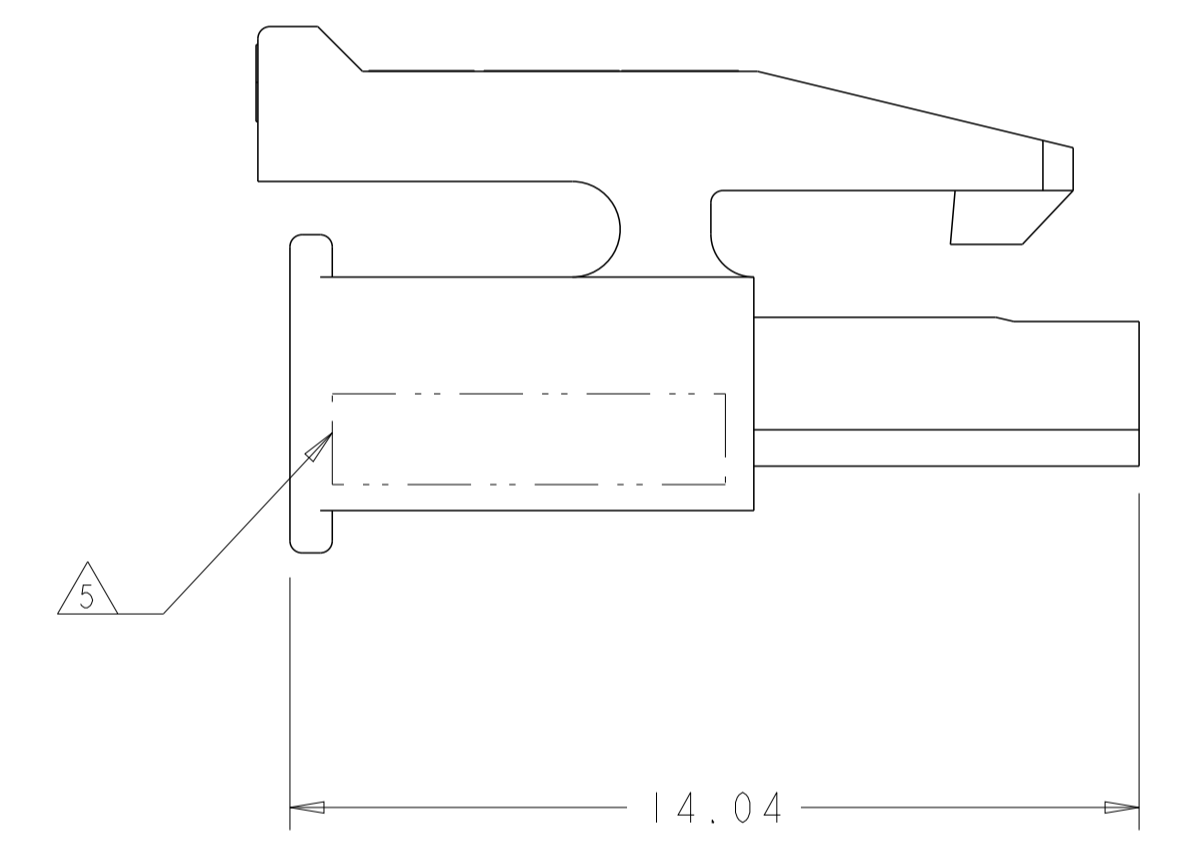
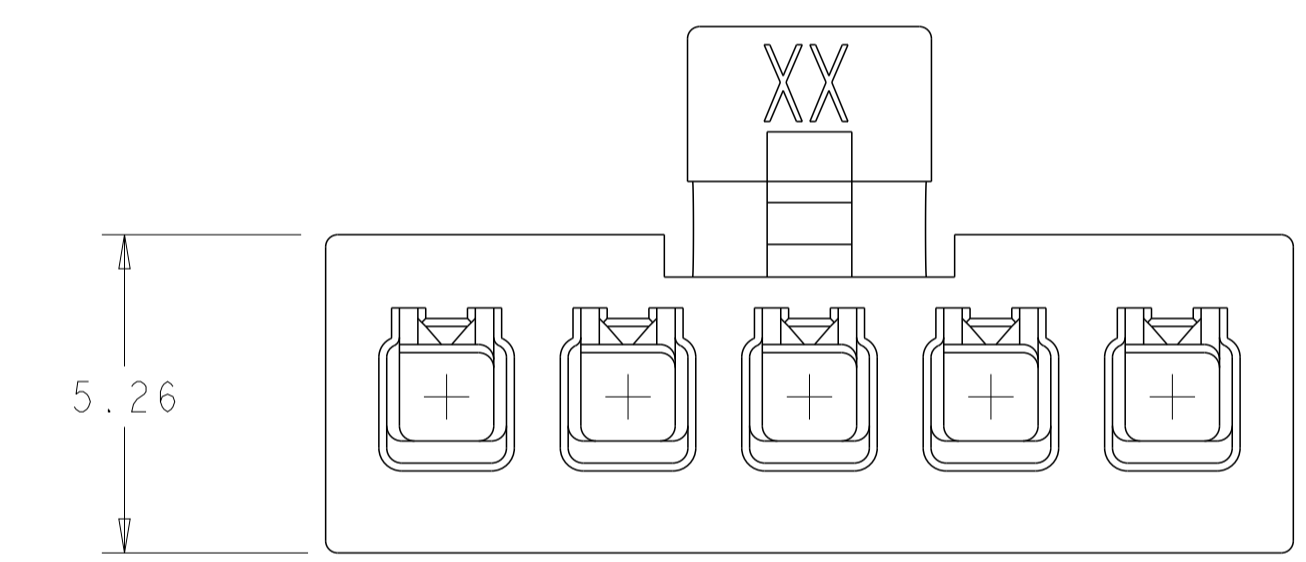
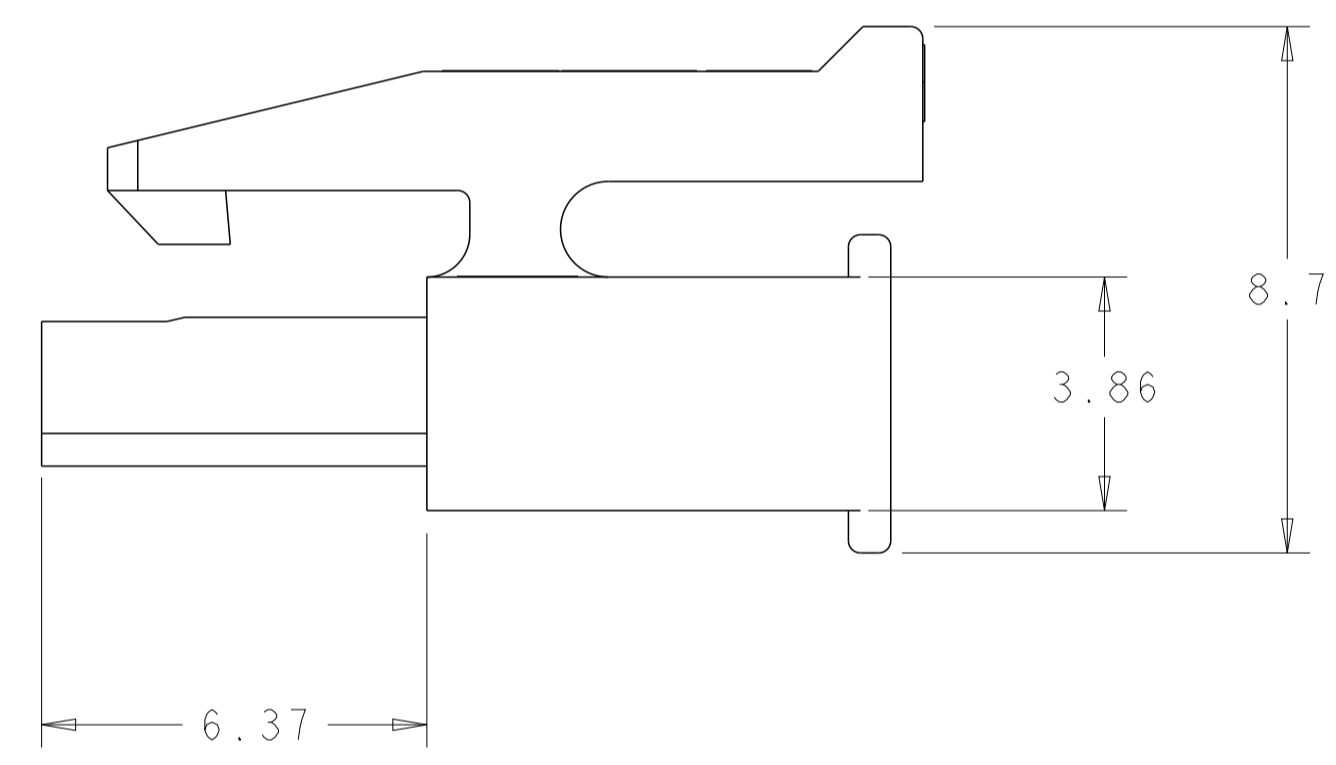
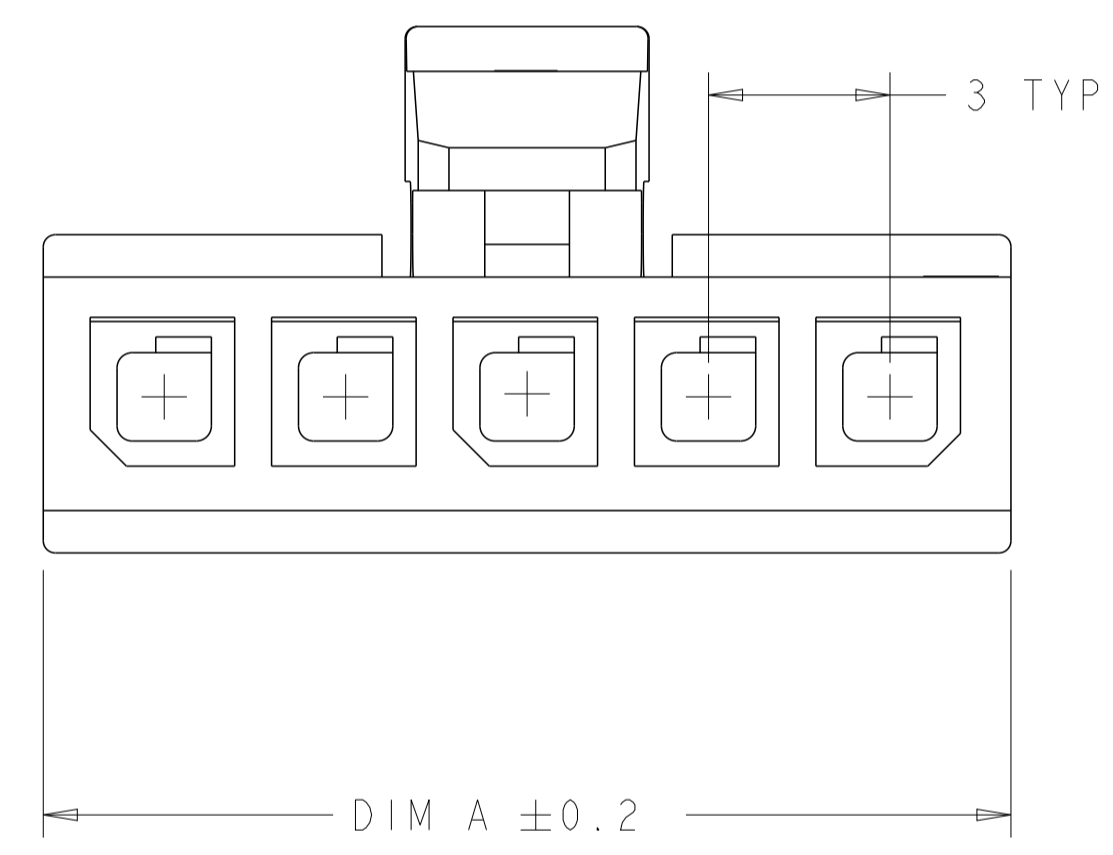


LOC		DIST		REVISIONS			
P	LTN	DESCRIPTION	DATE	DWN	APVD		
D		REVISED PER ECO-17-000100	17MAR2017	CX	DZ		
D1		REVISED PER ECR-18-004185	15MAY2018	JB	DZ		



- △1 CIRCUIT 1 IDENTIFIER, LOCATED APPROXIMATELY AS SHOWN.
- △2 LAST CIRCUIT IDENTIFIER, LOCATED APPROXIMATELY AS SHOWN.
- △3 MATERIAL PA66/6 UL94-V0. COLOR - BLACK
- △4 PRELIMINARY MATERIAL PA66 UL94-V0 GW. COLOR - NATURAL
- △5 MATERIAL ID ">PA66/6<" LOCATED IN APPROX AREA SHOWN, APPROX 0.01 HIGH.
- △6 PRELIMINARY PART NUMBER NOT RELEASED FOR PRODUCTION



△6/△4	525.93	16	5	2-1445022-5
OBSOLETE	444.06	13	4	2-1445022-4
OBSOLETE	363.34	10	3	2-1445022-3
OBSOLETE	282.61	7	2	2-1445022-2
△5 △3	1091.66	37	12	1-1445022-2
	1011.3	34	11	1-1445022-1
	929.64	31	10	1-1445022-0
	847.19	28	9	1445022-9
	768.32	25	8	1445022-8
	686.23	22	7	1445022-7
	605.73	19	6	1445022-6
	525.93	16	5	1445022-5
	444.06	13	4	1445022-4
	363.34	10	3	1445022-3
	282.61	7	2	1445022-2
REMARK	VOLUME mm ³	DIM A	NO OF POS.	PART NO.

THIS DRAWING IS A CONTROLLED DOCUMENT.

DWN: R. WHITAKER 14AUG2001
 CHK: C. JONES 14AUG2001
 APVD: C. JONES 14AUG2001

STE TE Connectivity

NAME: RECEPTACLE HOUSING, 2 TO 12 POSITION, SINGLE ROW, MICRO MATE-L-LOK(TM)

PRODUCT SPEC: 108-1836
 APPLICATION SPEC: 114-13000

SIZE: A1 CAGE CODE: 1445022 DRAWING NO: 100779

RESTRICTED TO: REV D1

MATERIAL: SEE TABLE
 DIMENSIONS: mm
 TOLERANCES UNLESS OTHERWISE SPECIFIED:
 0 PLC ±
 1 PLC ±0.13
 2 PLC ±
 3 PLC ±
 4 PLC ±
 ANGLES ±1°
 FINISH

CUSTOMER DRAWING SCALE: 8:1 SHEET 1 OF 1