

SCHOTTKY DIODES

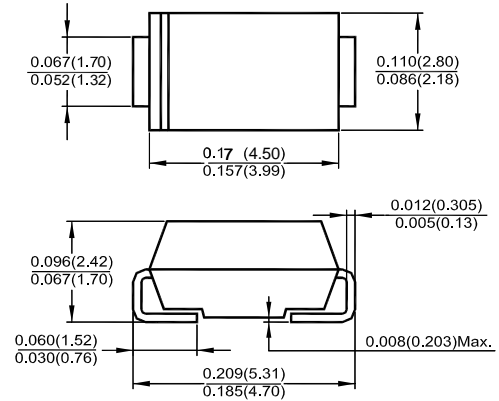
FEATURES

- Plastic package has Underwriters Laboratory Flammability Classification 94V-0
- For surface mounted applications
- Metal silicon junction, majority carrier conduction
- Low power loss, high efficiency.
- High current capability, low forward voltage drop

MECHANICAL DATA

- SMA (DO-214AC) molded plastic body
- leads solderable per MIL-STD-750, Method 2026
- color band denotes cathode end

SS32---SS310



Dimensions in inches and (millimeters)
DO-214AC (SMA)

MAXIMUM RATINGS AND ELECTRICAL CHARACTERISTICS

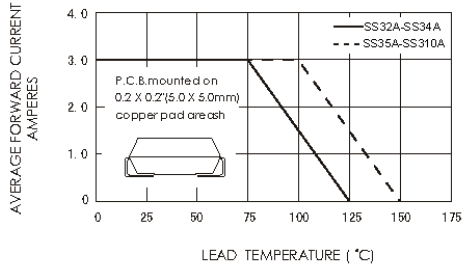
Ratings at 25 °C ambient temperature unless otherwise specified. Single phase, half wave, 60 Hz, resistive or inductive load. For capacitive load, derate current by 20%.

Paramete	Symbols	SS32	SS33	SS34	SS35	SS36	SS38	SS310	Unit
Maximum Repetitive Peak Reverse Voltage	V _{RRM}	20	30	40	50	60	80	100	V
Maximum RMS Voltage	V _{RMS}	14	21	28	35	42	56	70	V
Maximum DC Blocking Voltage	V _{DC}	20	30	40	50	60	80	100	V
Maximum Average Forward Rectified Current	I _(AV)	3							A
Peak Forward Surge Current 8.3 ms Single Half Sine-wave Superimposed on Rated Load	I _{FSM}	80							A
Maximum Instantaneous Forward Voltage at 3 A	V _F	0.55			0.75			V	
Maximum DC Reverse Current at Rated DC Blocking Voltage	I _R	20			10			mA	
Typical Thermal Resistance ¹⁾	R _{JA}	88							°C/W
	R _{JL}	28							
Operating Junction Temperature Range	T _j	- 65 to + 125			- 65 to + 150			°C	
Storage Temperature Range	T _{stg}	- 65 to + 150							°C

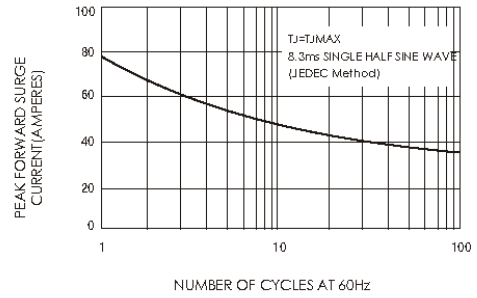
1)P.C.B. mounted with 0.2 X 0.2" (5 X 5 mm) copper pad areas.

SS32---SS310 Typical Characteristics

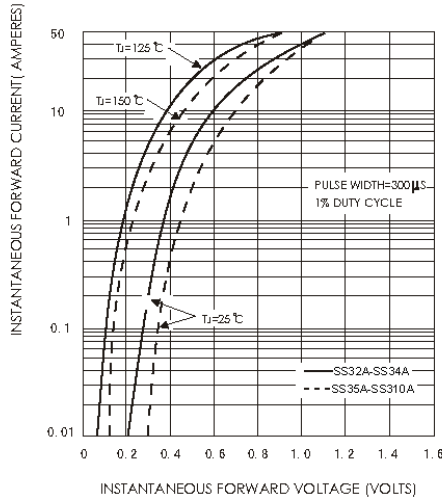
FORWARD CURRENT DERATING CURVE



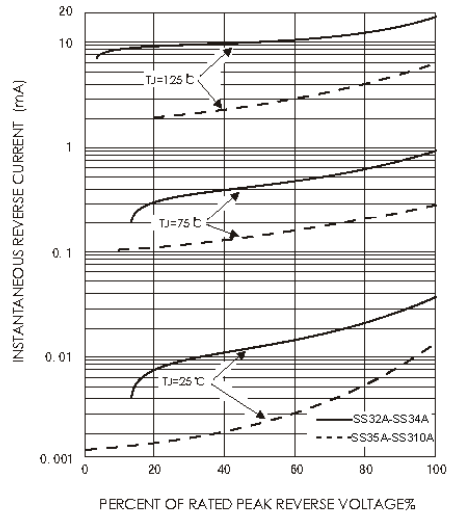
MAXIMUM NON-REPETITIVE PEAK FORWARD SURGE CURRENT



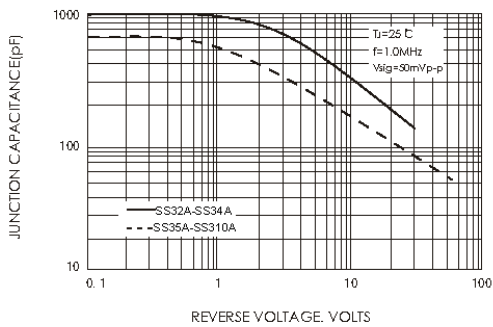
TYPICAL INSTANTANEOUS FORWARD CHARACTERISTICS



TYPICAL REVERSE CHARACTERISTICS



TYPICAL JUNCTION CAPACITANCE



TYPICAL TRANSIENT THERMAL IMPEDANCE

