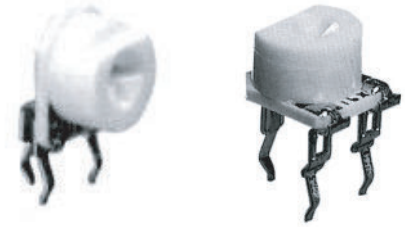




Miniature Cermet, Carbon-Ceramic Trimmer Potentiometers

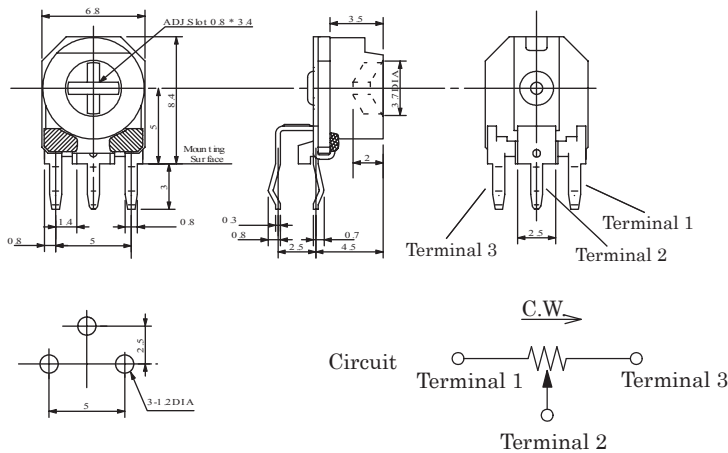
■ Features

- A djustment screw, either \oplus \ominus is available
- A utomatic adjustable
- Endurance to environmental test

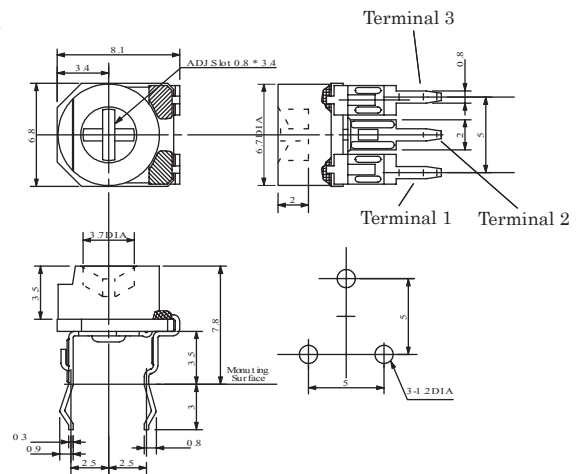


■ Dimensions (Unit: mm)

TH1



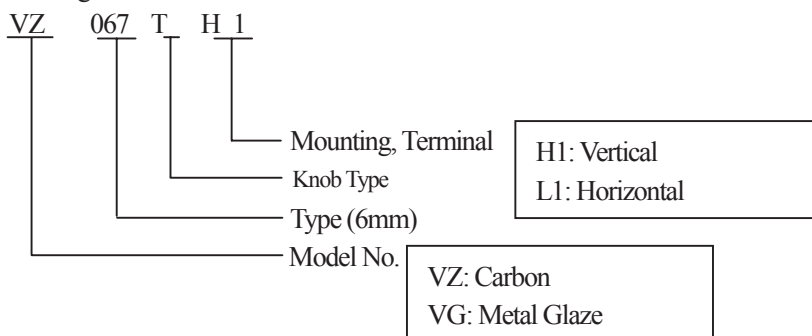
TL1



■ Specification

Item	Specification	Unit	Note
Resistance Range	100 ~ 1 M(1,2,3,5 Series)	Ω	
Resistance Tolerance	± 25	%	
Residual Resistance	Within 1% of total Resistance Value 1 k Ω : 10 Ω Max. 100 k Ω < 5% Max.	%	
Power Rating	VZ Type 0.1 (at 70 $^{\circ}\text{C}$) 0 (at 100 $^{\circ}\text{C}$) VG Type 0.2 (at 70 $^{\circ}\text{C}$) 0 (at 100 $^{\circ}\text{C}$)	W	
Max. Working Voltage	100V or $\sqrt{PR} \neq V$ whichever is smaller	V	
Temp. Range	-25 ~ +100	$^{\circ}\text{C}$	
Temp. Coefficient	± 250	ppm/ $^{\circ}\text{C}$	VG Type
Noise(Contact Resistance Variation)	Within 4% of total Resistance Value	%	
Rotation Angle	240 ± 10	$^{\circ}$	
Operation Torque	2.94 ~ 29.4	m N \cdot m	
Stop Strength	49.0 Min.	m N \cdot m	

■ Model Designation

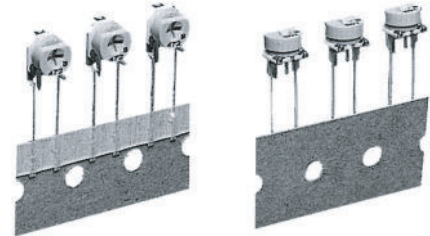




Miniature Cermet, Carbon-Ceramic Trimmer Potentiometers

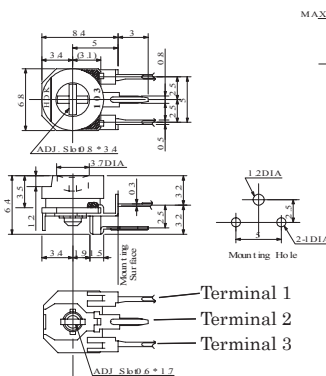
Features

- A djustment screw, either \ominus or \ominus is available
- Rear side adjustable
- Auto insertion with radial taping
- Endurcnce to environmental test

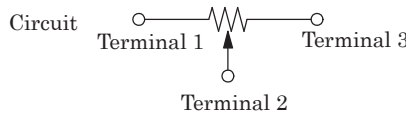
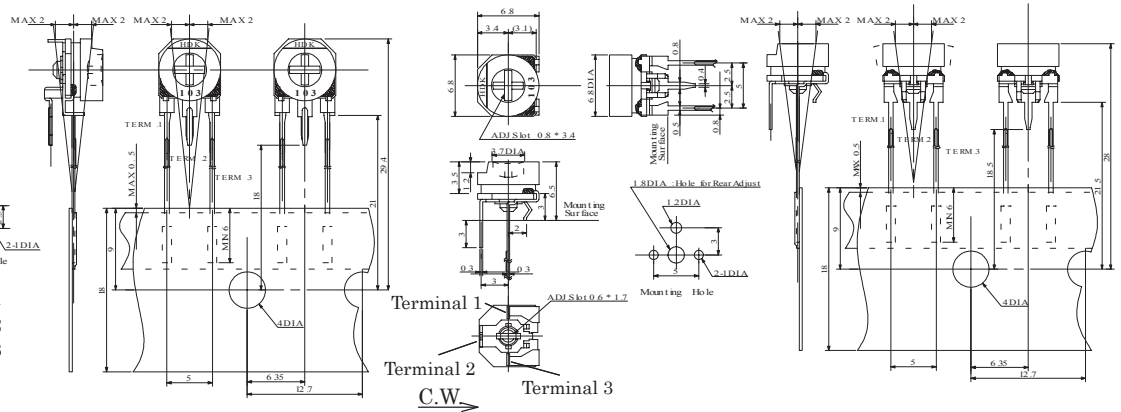


Dimensions (Unit:mm)

THT



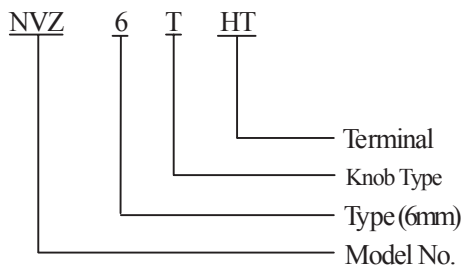
TLTA



Specification

Item	Specification	Unit	Note
Resistance Range	100 ~ 1 M(1,2,3,5 Series)	Ω	
Resistance Tolerance	± 30	%	
Residual Resistance	Within 2% of total Resistance Value 1 k Ω 20 Ω Max. 100 k Ω < 5% Max.	%	
Power Rating	VZ Type 0.1 (at 70°C) 0 (at 100 °C) VG Type 0.3 (at 70°C) 0 (at 100 °C)	W	
Max. Working Voltage	100V or \sqrt{PR} V whichever is smaller	V	
Temp. Range	-25 ~ +100	°C	
Temp. Coefficient	± 250	ppm/°C	VG Type
Noise(Contact Resistance Variation)	Within 4% of total Resistance Value	%	
Rotation Angle	240 ± 10	°	
Operation Torque	0.98 ~ 29.4	m N·m	
Stop Strength	49.0 Min.	m N·m	

Model Designation



HT: Vertical Taping
LTA: Horizontal Taping

NVZ: Carbon
NVG: Metal Glaze