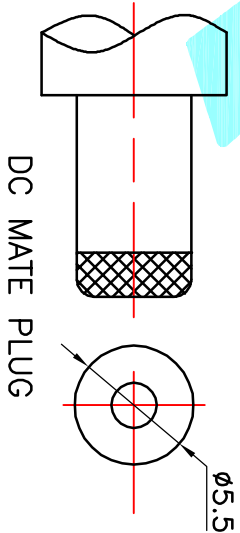
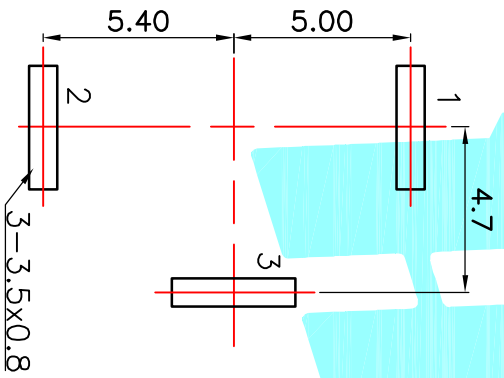


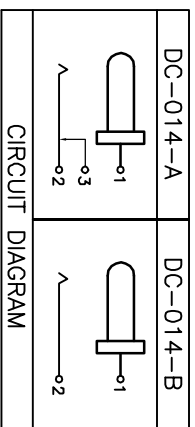
P.C.B LAYOUT(Copper-side view)



DC MATE PLUG

Rating:0.5A 30V DC
 Contact Resistance:100 mΩ Max.
 Operating temperature:-20℃~70℃
 Operating force:3~20N
 Operating Life:5,000cycles

Model No.	1	2	3
PIN	$\phi 2.0$	$\phi 2.35$	$\phi 2.5$



② Terminal	3	Phosphor bronze	Au Plating
① Housing	1	Nylon	Black
ITEM PART NAME	TERN.O.	QTY.	MATERIAL FINISHING
APPROVALS		DATE	REMARK
DRAWN	J.X.Zhang	2013/11/11	
TITLE: PHONE JACKES			
PART NO. DC-014			
SCALE: 1:1			
DRAWING NO.			
SHEET 1 OF 1			

ECN NO.	REV.	DATE.	DESCRIPTION.	CHANGE.	CHECK.	APPRO.
	A		NEW			
TOLERANCES ARE						