



TAE雅晶

序号Serial No. 2018101106

日期Date:2018-10-11

致TO: 深圳市猎芯科技有限公司

产品ITEM: 石英晶体谐振器 QUARTZ CRYSTAL UNITS

型号TYPE: SMD-2016_4PIN

标称频率NOMINAL FREQUENCY: 26MHz 9PF +/-10PPM

请收到我们的规格书后，签字回传。
Please confirm you received this specification,sign and fax it to us.

接收确认RECEIVING CONFIRMATION	
日期DATA	
接收RECEIVED	

浙江雅晶电子有限公司

ZheJiang ABEL Electron Co.,Ltd.

浙江省台州经济开发区经一路655号

655 JingYi RD. Economic Developing Zone TaiZhou,ZheJiang,China

电话/Tel:0086-576-8501856,8501857,8501858

传真/Fax:0086-576-8501860

Post Code:318000

URL:www.taecn.com

Email: market@taecn.com

taecl@mail.tzptt.zj.cn

拟制Prepared by:

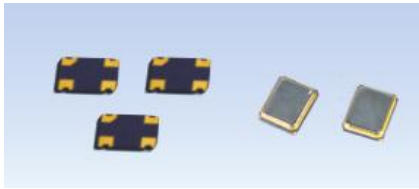
应金会

批准Confirmed by:

王琴飞

RoHS Compliant Standard

T-2016-4PIN-SEAM

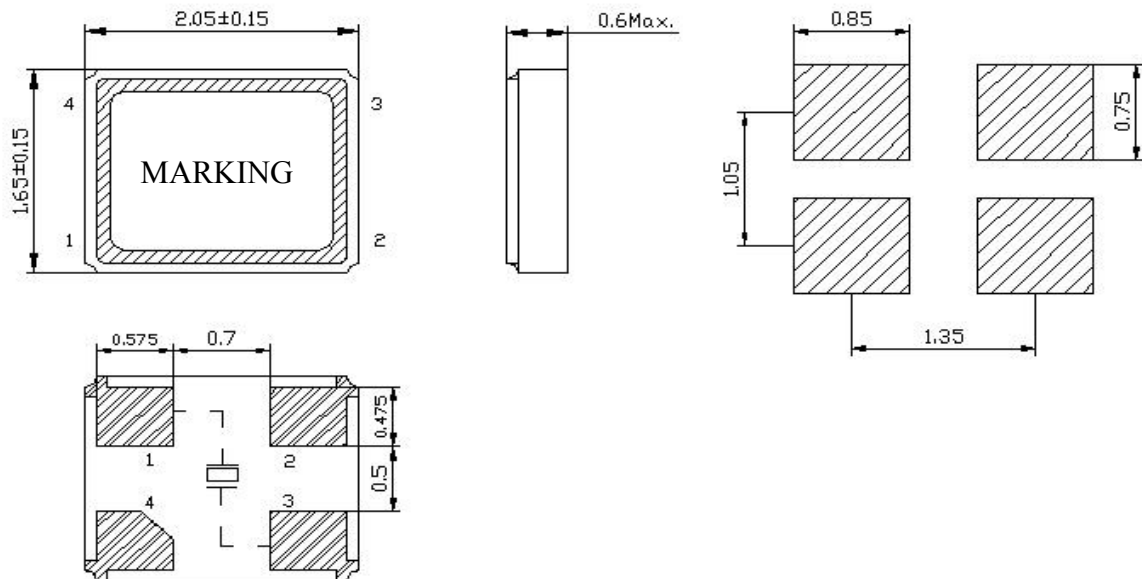


Features 特性

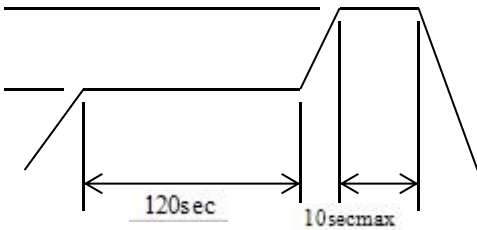
- Nominal Frequency 标称频率: 26MHz
- Suited for portable devices with low current consumption
適合於低功耗的便攜設備
- For a clock source in electronic equipments 適用於电子設備的時鐘源

Item	Model	T-2016-4PIN-SEAM	Conditions
Frequency Range	标称频率	26MHz	
Frequency Tolerance	調整頻差	±10ppm Max	at 25°C
Freq. Tol. Over Temp.	溫度頻差	±30ppm Max	-20~+70°C
Operating Temp. Range	工作溫度範圍	-20~+70°C	
Storage Temp. Range	保存溫度範圍	-40~+85°C	
Series Resistance	諧振電阻	80Ω Max	
Load Capacitance	負載電容	9pF	
Shunt Capacitance	靜態電容	/	
Drive Level	激勵電平	100µw Max	
Aging	老化率	±3ppm/year Max	
Insulation Resistance	絕緣阻抗	500Mohm/Min	DC100V±15V

OUTLINE DIMENSIONS (unit: mm)



序号 NO	项目 ITEM	条件 CONDITIONS	合格标准 BASIS OF VERDICT
1	老化 AGING	温度: 85°C; 时间: 1000小时 Temperature: 85°C; Times: 1000 hours	$\Delta FR = \pm 10$ ppm MAX $\Delta Rs =$ 平均阻抗*20%或5 Ω MAX (两者取大值) $\Delta FL \leq \pm 10$ ppm $\Delta RS \leq 5 \Omega$ or $\pm 20\%$ (Whichever is Larger)
2	湿度抗性 MOISTURE RESISTANCE	高温: 65°C (10小时, 含升温), 低温: 25°C (2小时, 含降温), 湿度90%, 循环10次, 每循环24小时 High-Temperature: 65°C $\pm 2^\circ\text{C}$ (10 hours, including heating), Low-Temperature: 25°C $\pm 2^\circ\text{C}$ (2 hours, including cooling), Humidity: 85%, for 10 cycles (24 hours/cycle)	$\Delta FR = \pm 10$ ppm MAX $\Delta Rs =$ 平均阻抗*20%或5 Ω MAX (两者取大值) $\Delta FL \leq \pm 10$ ppm $\Delta RS \leq 5 \Omega$ or $\pm 20\%$ (Whichever is Larger)
3	湿热 HUMIDITY	温度: 85°C $\pm 2^\circ\text{C}$; 湿度85%; 时间: 1000小时 Temperature: 85°C $\pm 2^\circ\text{C}$; Humidity: 85%; Time: 1000 hours	$\Delta FR = \pm 10$ ppm MAX $\Delta Rs =$ 平均阻抗*20%或5 Ω MAX (两者取大值) $\Delta FL \leq \pm 10$ ppm $\Delta RS \leq 5 \Omega$ or $\pm 20\%$ (Whichever is Larger)
4	低温 LOW-TEMPERATURE	温度: -40°C $\pm 2^\circ\text{C}$; 时间: 1000小时 Temperature: -40°C $\pm 2^\circ\text{C}$; Time: 1000hours	$\Delta FR = \pm 10$ ppm MAX $\Delta Rs =$ 平均阻抗*20%或5 Ω MAX (两者取大值) $\Delta FL \leq \pm 10$ ppm $\Delta RS \leq 5 \Omega$ or $\pm 20\%$ (Whichever is Larger)
5	热冲击 TEMPERATURE SHOCK	-55°C $\pm 2^\circ\text{C}$ (5 min) \leftrightarrow 125°C $\pm 2^\circ\text{C}$ (5 min); 循环1000次 -55°C $\pm 2^\circ\text{C}$ (5 min) \leftrightarrow 125°C $\pm 2^\circ\text{C}$ (5 min); For 1000 cycles	$\Delta FR = \pm 10$ ppm MAX $\Delta Rs =$ 平均阻抗*20%或5 Ω MAX (两者取大值) $\Delta FL \leq \pm 10$ ppm $\Delta RS \leq 5 \Omega$ or $\pm 20\%$ (Whichever is Larger)
6	跌落 DROP	1m高处自由跌落到硬木板上, 循环3次 Height: 1m; 3 times	$\Delta FR = \pm 5$ ppm MAX $\Delta Rs =$ 平均阻抗*15%或2 Ω MAX (两者取大值) $\Delta FL \leq \pm 5$ ppm $\Delta RS \leq 2 \Omega$ or $\pm 15\%$ (whichever is larger)

序号 NO	项目 ITEM	条件 CONDITIONS	合格标准 BASIS OF VERDICT
7	机械冲击 MECHANICAL SHOCK	峰值 Peak: 100g/s 持续时间 Duration: 6ms 波形 Waveform: 半正弦波 Half-sine;变化速度 Velocity Change; 12.3 ft / sec; 振动方向 Direction: +X, -X, +Y, -Y, +Z, - Z; 每个方向各3次 3 times/direction	$\Delta FR = \pm 5 \text{ ppm MAX}$ $\Delta Rs = \text{平均阻抗} * 15\% \text{ 或 } 2 \Omega \text{ MAX (两者取大值)}$ $\Delta FL \leq \pm 5 \text{ ppm}$ $\Delta RS \leq 2 \Omega \text{ or } \pm 15\%$ (Whichever is Larger)
8	振动 VIBRATION	频率 Frequency: 10~2000Hz: 加速度幅度 Acceleration: 5g/s 振动方向 Direction: X, Y, Z; 振动时间 Duration: 每个方向 20分钟 20 min/direction; 循环次数 Times: 12次	$\Delta FR = \pm 5 \text{ ppm MAX}$ $\Delta Rs = \text{平均阻抗} * 15\% \text{ 或 } 2 \Omega \text{ MAX (两者取大值)}$ $\Delta FL \leq \pm 5 \text{ ppm}$ $\Delta RS \leq 2 \Omega \text{ or } \pm 15\%$ (Whichever is Larger)
9	回流焊 REFLOW	<p>260°C±5°C</p>  <p>150°C±5°C</p> <p>120sec</p> <p>10secmax</p> <p>CYCLE TIME周期: 200sec Max.(回流2次)</p>	$\Delta FR = \pm 5 \text{ ppm MAX.}$ $\Delta Rs = \text{平均阻抗} * 15\% \text{ 或 } 2 \Omega \text{ MAX (两者取大值)}$ 外观完好 $\Delta FL \leq \pm 5 \text{ ppm, } \Delta RS \leq 2 \Omega \text{ or } \pm 15\%$ (Whichever is Larger) No Rusty
10	可焊性 SOLDER	温度: 250°C, 蒸汽老化8小时 Temperature: 250°C, Time: 8hours	浸锡率 ≥ 95% Solder Coverage ≥ 95%
11	引出端强度 TERMINAL STRENGTH	1.8kg的切向推力 (60秒) 以及1.8kg的垂直拉力 (60秒) 1.8kg, of the tangential thrust (60 s) 1.8kg of the perpendicular tension (60 s)	电极不断裂 No Rupture Observed