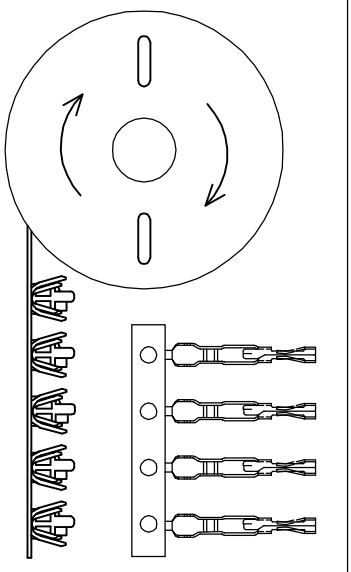
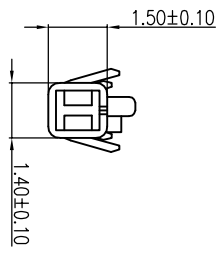
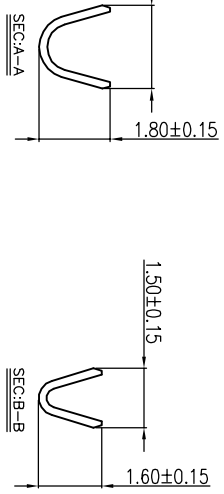
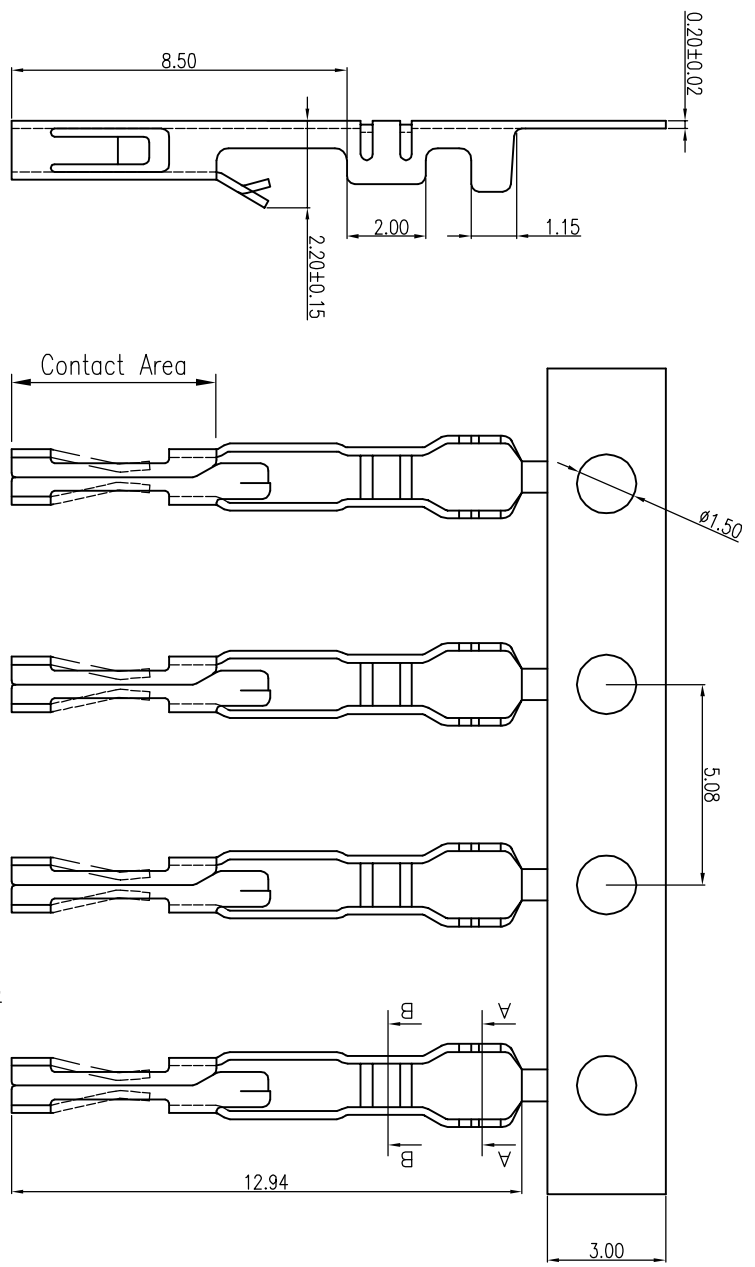


REV.	ECON. NO.	APPD.	DATE
A0	RELEASE	cheng	05/24'10
A1	change packing	cheng	11/12'10

P-810-1200-000-07\*

Plated  
 1:G/F  
 2:Au:3u"  
 3:Au:5u"  
 7:Tin Plated



**PACKING**

- NOTES:
1. Material: Phosphor Bronze.
  2. Plating: Tin Plated 100u" Over All  
OR Gold Plated on Contact Area  
OR Gold Plated Over All.
  3. Applicable Wire: AWG# 24~28.
  4. Insulation O.D: 1.2~1.5mm.

X ±0.5	UNITS	MM	NAME:	2.54mm Crimp Type IDC Terminal
X ±0.38	MAT'L		PART NO.:	P-810-1200-000-07*
XX±0.25	FINISH		APPD:	JEFF
XXX±0.08			CHKD:	JEFF
X' ±2"			DR:	CHENG
THESE DRAWINGS AND SPECIFICATIONS ARE THE PROPERTY OF SHENZHEN JUNHAO ENGINEERING CO., LTD. AND SHALL NOT BE REPRODUCED OR USED IN ANY MANNER WITHOUT THE WRITTEN PERMISSION OF SHENZHEN JUNHAO ENGINEERING CO., LTD.				
深圳市君灏精密工业有限公司 SHENZHEN JUNHAO ENGINEERING CO., LTD				
TITLE: 2.54mm Crimp Type IDC Terminal				
DWG. NO.: EP-C-810-1200-0172				
SCALE		SHEET		
1:1		1/1		
REV.		A1		