



2SA2016

PNP PLANAR TRANSISTOR

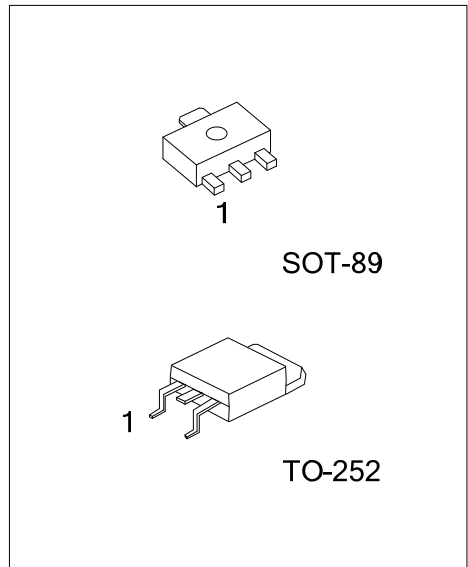
PNP EPITAXIAL PLANAR TRANSISTOR

■ APPLICATIONS

* Relay drivers, lamp drivers, motor drivers, strobes.

■ FEATURES

- *High current capacitance.
- *Low collector-to-emitter saturation voltage.
- *High-speed switching
- *High allowable power dissipation.



■ ORDERING INFORMATION

Order Number		Package	Pin Assignment			Packing
Lead Free	Halogen Free		1	2	3	
-	2SA2016G-AB3-R	SOT-89	B	C	E	Tape Reel
2SA2016L-TN3-R	2SA2016G-TN3-R	TO-252	B	C	E	Tape Reel

Note: Pin Assignment: B: Base C: Collector E: Emitter

<p>2SA2016G-AB3-R</p> <p>(1) Packing Type (2) Package Type (3) Green Package</p>	<p>(1) R: Tape Reel, T: Tube (2) AB3: SOT-89, TN3: TO-252 (3) G: Halogen Free and Lead Free, L: Lead Free</p>
--	---

■ MARKING

SOT-89	TO-252
<p>2SA2016G → Date Code</p> <p>1</p>	<p>UTC 2SA2016</p> <p>Lot Code ← □□□□□□ → Data Code</p> <p>L: Lead Free G: Halogen Free</p> <p>1</p>

■ ABSOLUTE MAXIMUM RATINGS ($T_A=25^\circ\text{C}$, unless otherwise noted)

PARAMETER	SYMBOL	RATINGS	UNIT
Collector-Base Voltage	V_{CBO}	-50	V
Collector-Emitter Voltage	V_{CEO}	-50	V
Emitter-Base Voltage	V_{EBO}	-6	V
Collector Dissipation Mounted on a ceramic board (250mm ² *0.8mm)	SOT-89	1.3	W
	TO-252	1.9	W
Collector Dissipation ($T_C=25^\circ\text{C}$)	SOT-89	3.5	W
	TO-252	15	W
Collector Current	I_C	-7	A
Collector Current	I_{CP}	-10	A
Base Current	I_B	-1.2	A
Junction Temperature	T_J	150	$^\circ\text{C}$
Storage Temperature	T_{STG}	-55 ~ +150	$^\circ\text{C}$

Note: Absolute maximum ratings are those values beyond which the device could be permanently damaged. Absolute maximum ratings are stress ratings only and functional device operation is not implied.

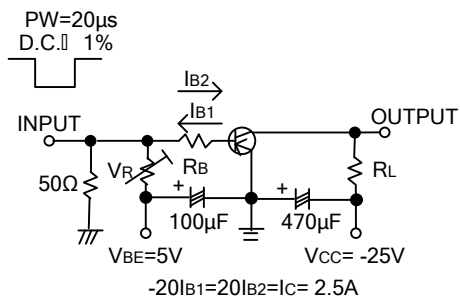
■ THERMAL RESISTANCES CHARACTERISTICS

PARAMETER	SYMBOL	RATINGS	UNIT
Junction to Ambient	SOT-89	96.2	$^\circ\text{C/W}$
	TO-252	65.8	$^\circ\text{C/W}$
Junction to Case	SOT-89	35.7	$^\circ\text{C/W}$
	TO-252	8.3	$^\circ\text{C/W}$

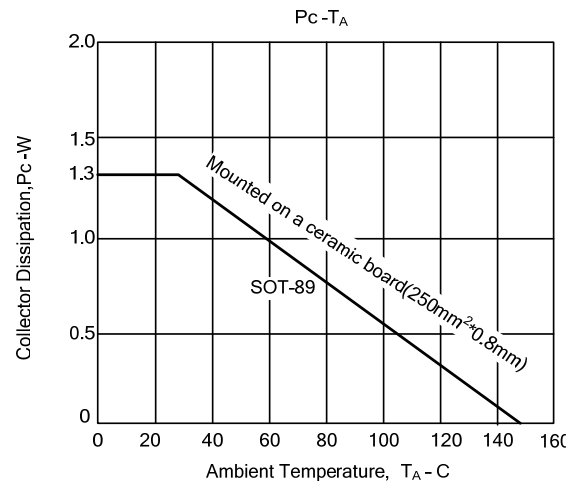
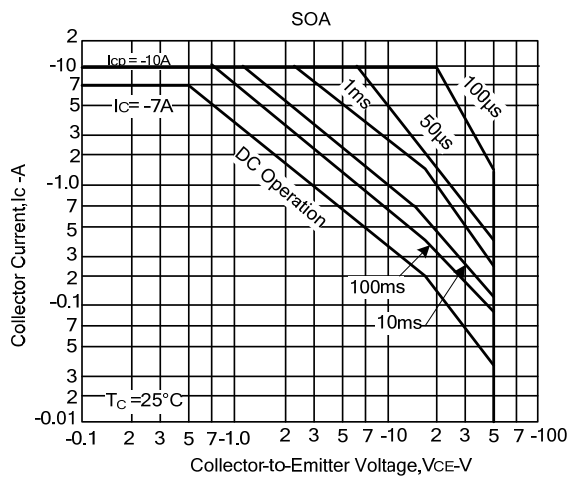
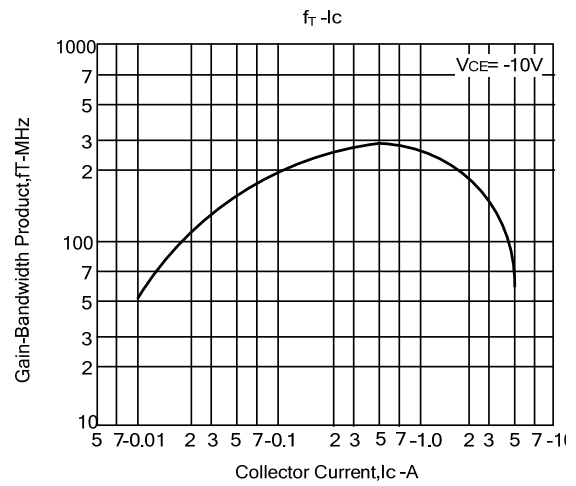
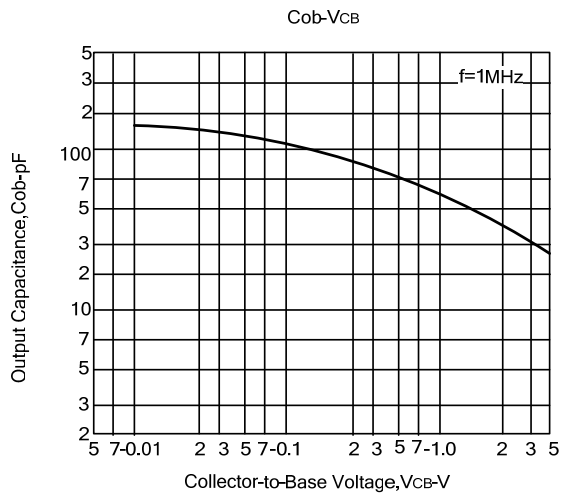
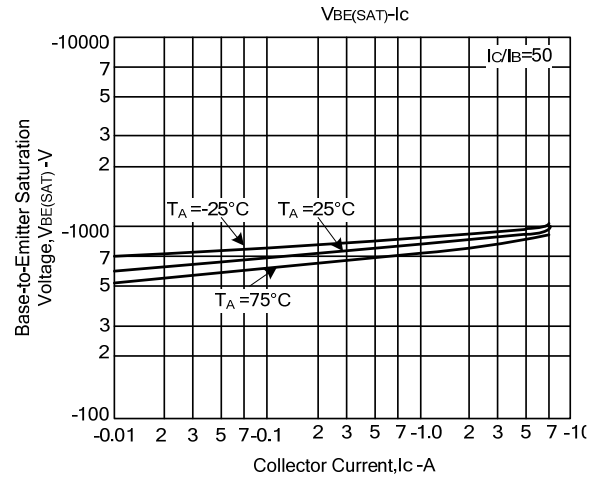
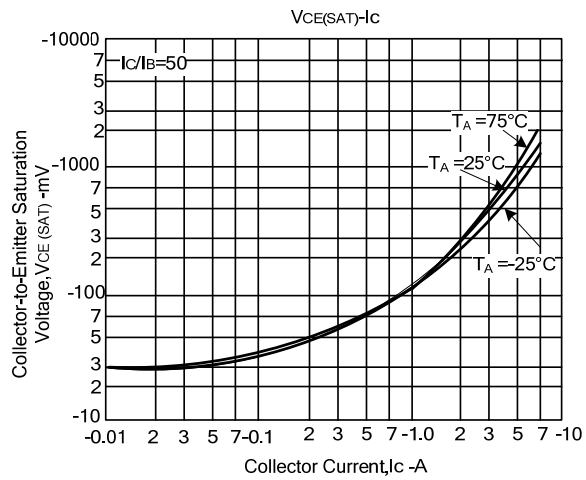
■ ELECTRICAL CHARACTERISTICS ($T_A=25^\circ\text{C}$, unless otherwise noted)

PARAMETER	SYMBOL	TEST CONDITIONS	MIN	TYP	MAX	UNIT
Collector-to-Base Breakdown Voltage	BV_{CBO}	$I_C = -10\mu\text{A}$, $I_E = 0$	-50			V
Collector-to- Emitter Breakdown Voltage	BV_{CEO}	$I_C = -1\text{mA}$, $R_{BE} = \infty$	-50			V
Emitter-to-Base Breakdown Voltage	BV_{EBO}	$I_C = 0$, $I_E = -10\mu\text{A}$	-6			V
Collector Cut-Off Current	I_{CBO}	$V_{CB} = -40\text{V}$, $I_E = 0$			-0.1	μA
Emitter Cut-Off Current	I_{EBO}	$V_{EB} = -4\text{V}$, $I_C = 0$			-0.1	μA
DC Current Gain	h_{FE}	$V_{CE} = -2\text{V}$, $I_C = -500\text{mA}$	200		560	
Collector-Emitter Saturation Voltage	$V_{CE(SAT)}$	$I_C = -3.5\text{A}$, $I_B = -175\text{mA}$		-0.23	-0.39	V
		$I_C = -2\text{A}$, $I_B = -40\text{mA}$		-0.24	-0.40	V
Base-Emitter Saturation Voltage	$V_{BE(SAT)}$	$I_C = -2\text{A}$, $I_B = -40\text{mA}$		-0.83	-1.2	V
Gain Bandwidth Product	f_T	$V_{CE} = -10\text{V}$, $I_C = -500\text{mA}$		290		MHz
Output Capacitance	C_{ob}	$V_{CB} = -10\text{V}$, $f = 1\text{MHz}$		50		pF
Turn-on Time	t_{ON}	See specified Test Circuit		40		ns
Storage Time	t_{STG}	See specified Test Circuit		225		ns
Fall Time	t_F	See specified Test Circuit		25		ns

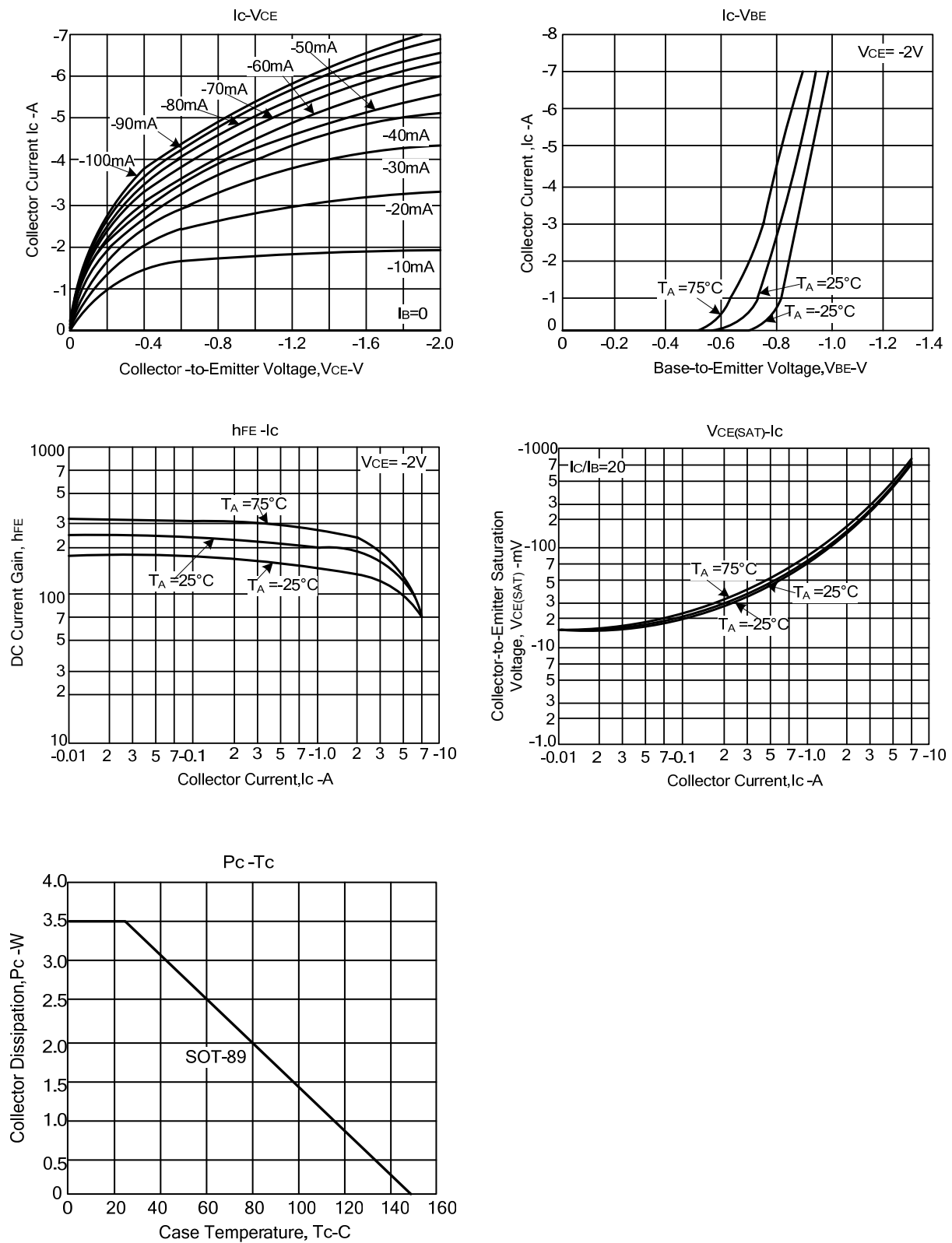
■ SWITCHING TIME TEST CIRCUIT



TYPICAL CHARACTERISTICS



■ TYPICAL CHARACTERISTICS(Cont.)



UTC assumes no responsibility for equipment failures that result from using products at values that exceed, even momentarily, rated values (such as maximum ratings, operating condition ranges, or other parameters) listed in products specifications of any and all UTC products described or contained herein. UTC products are not designed for use in life support appliances, devices or systems where malfunction of these products can be reasonably expected to result in personal injury. Reproduction in whole or in part is prohibited without the prior written consent of the copyright owner. The information presented in this document does not form part of any quotation or contract, is believed to be accurate and reliable and may be changed without notice.