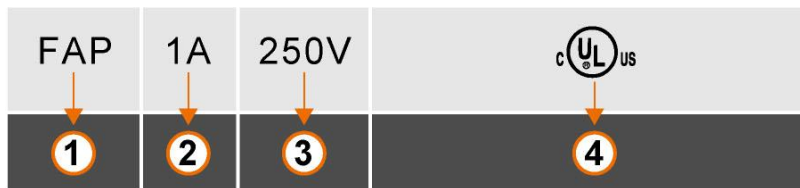


1. 適用範圍 / SCOPE

FAP 系列保險絲，適用於一般電子設備。
 FAP series Fuse, used in electronic equipment.

2. 產品型號 / TYPE

例「example」：



- ① 系列號 / Series Number
- ② 額定電流 / Rated Current
- ③ 額定電壓 / Rated Voltage
- ④ 認證符號 / Approved Symbol

3. 額定電流和額定電壓 / RATED CURRENT AND RATED VOLTAGE

額定電流 / Rated Current:

100mA~6.3A

額定電壓 / Rated Voltage:

125V/250V AC

4. 標示 / MARKING

保險絲兩端銅帽上需有下列標示 / The fuses cap shall have the following marking:

①規 格：額定電流+額定電壓



Specification : Rated Current + Rated Voltage

100mA~800mA : ___mA 125V/250V

1A~6.3A : ___A 125V/250V

②商 標：製造工廠的商標+系列號+認證符號

Trade mark : The Manufacture' s Logo +Part Number + Approved Symbol.

100 mA~6.3A :  FAP c  us

注意 / Note :

對標示的大小和位置沒有規定 / Size and position of the markings shall not be provided.

5. 外觀及形狀 / APPEARANCES AND CONFIGURATION

5-1 外觀：不應有破碎、明顯的污斑。

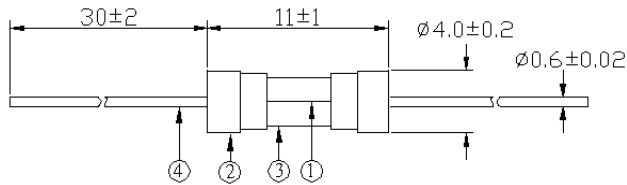
Appearances: There shall not be break up and any remarkable blotch.

5-2 形狀：帶腳的小型保險絲。

Configuration: Axial Leaded Miniature-Fuse.

6. 工程圖和結構 / OUTLINE DRAWING AND STRUCTURE

6-1 工程圖 (單位: mm) / Outline Drawing and Dimensions (Unit: mm)



6-2 結構 / Structure

編號 No.	元件 Component	材質 Material	數量 Quantity
①	熔絲 Wire	合金 Alloy	1
②	銅帽 Cap	黃銅鍍鎳 Brass with nickel plated	2
③	本體 Body	玻璃管 Glass tube	1
④	引線 Lead	鍍錫銅線 Tinned Copper wire	2

7. 產品特性 / PRODUCT CHARACTERISTICS

7-1 拉力測試 / Tensile test

軸向拉力 10 牛頓，持續 10±1 秒 / Pulling the cap of the fuse with 10N at axial direction keep 10±1sec.

7-2 推力測試 / Thrust test

軸向推力 2 牛頓，持續 10±1 秒 / Thrust two cap's bottom of the fuse with 2N at axial direction keep 10±1sec.

7-3 可焊性 / Solderability

波峰焊/Wave : 260°C , ≤3s;

烙鐵焊/Soldering Iron: 350±10°C , ≤3s.

7-4 耐焊接熱 / Soldering Heat Resistance

波峰焊/Wave : 260°C , 10s;

烙鐵焊/Soldering Iron: 350°C , 5s.

8. 電氣特性 / ELECTRICAL CHARACTERISTICS

熔斷/電流特性：Pre-Arcing Time / Current Characteristic

RATED CURRENT	2 IN
100mA to 6.3A	Max.
	60 s

9. 環境特性 / ENVIRONMENTAL CHARACTERISTIC

 9-1 操作溫度範圍: $-55^{\circ}\text{C} \sim 125^{\circ}\text{C}$ / Operating Temperature: $-55^{\circ}\text{C} \sim 125^{\circ}\text{C}$

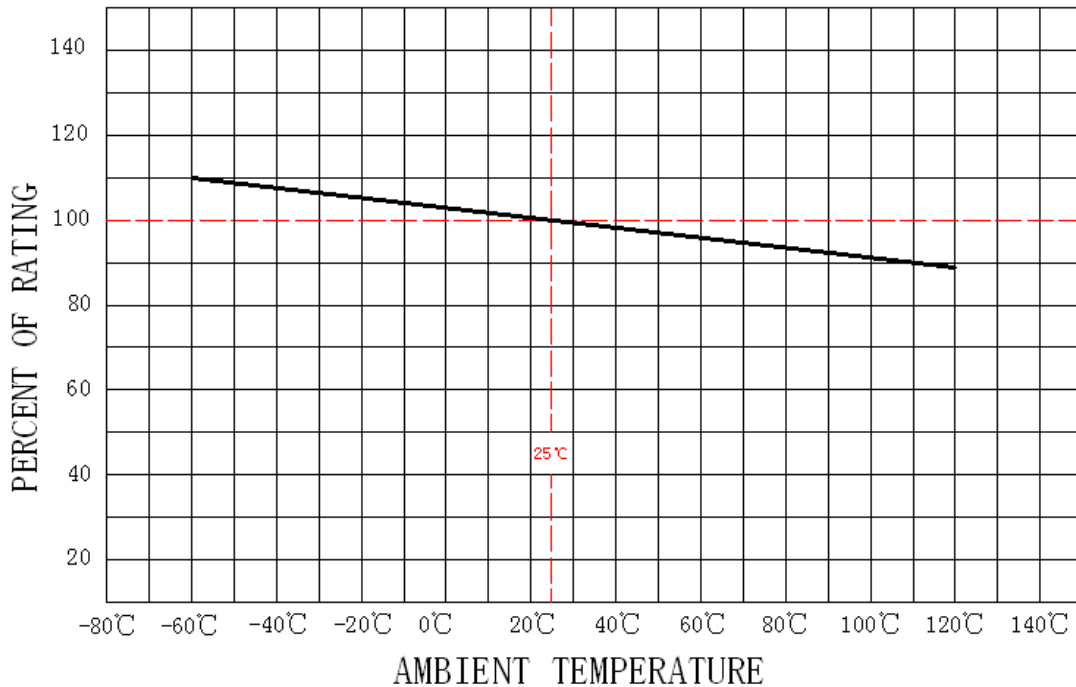
 若貴司操作環境溫度超出 $25 \pm 5^{\circ}\text{C}$ 範圍，在選用保險絲規格時，需考慮操作環境溫度對保險絲的影響。

請參照：溫度-電流曲線圖。

 When choosing the fuse' s specification, if the operating environmental temperature beyond the scope from $20 \sim 30^{\circ}\text{C}$, you should consider the environmental temperature' s affection to fuses.

Please refer:

Temperature-Current curve:



9-2 存儲條件 / Storage Conditions

在溫度+10°C ~ 60°C、相對濕度 $\leq 75\%$ 的密閉條件下可存放 3 年。

Under airtight in temperature+10°C ~ 60°C、relative humidity $\leq 75\%$ can store 3 years.

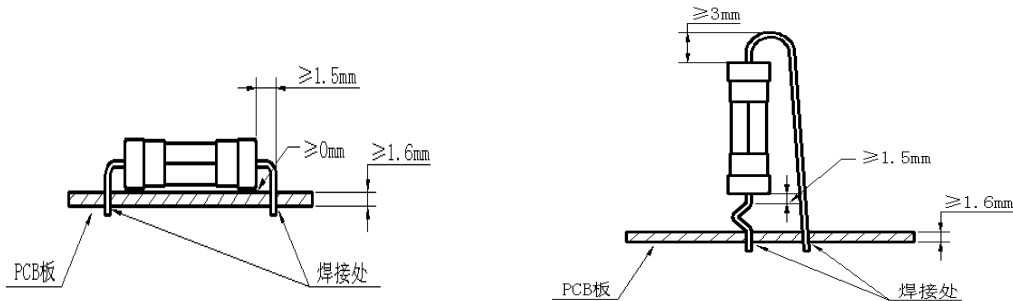
在溫度+10°C ~ 60°C、相對濕度為 95%的非露天下最多可存放 30 天。

Without dew in temperature+10°C ~ 60°C、relative humidity be 95% maximum value for 30days.

10. 安裝方式及條件 / INSTALLATION WAY AND PARAMETERS

10-1 建議如下圖安裝方式安裝，並滿足所要求的尺寸。

Propose that the following picture installation way is installed, and satisfied the required size.



10-2 建議客戶焊接參數 / Recommended Customer Soldering Parameters

波峰焊參數 / Wave Parameters:

錫爐溫度 / Solder Pot Temperature:

260°C Max

焊接時間 / Solder Dwell Time:

2~5s

手工焊參數 / Hand-Solder Parameters:

烙鐵溫度 / Solder Iron Temperature:

350±5°C

焊接時間 / Heating Time:

5 s Max

11. 其他使用注意事項 / OTHER NOTICE IN USED

如果需在保險絲上加熱縮套管，烘烤溫度與時間需參照以下規定

If need to add heat draws back the sleeve pipe on the fuse, it needs to consult the following regulation to toast temperature and time

溫度 temperature	120°C	130°C	140°C	150°C
時間 time	Max 70s	Max 60s	Max 50s	Max 40s

12. 安全認證及編號 / STANDARDS AND APPROVALS

UL	NO. :	E56092 (100mA~6.3A JDYX)
C-UL	NO. :	E56092 (100mA~6.3A JDYX 7)

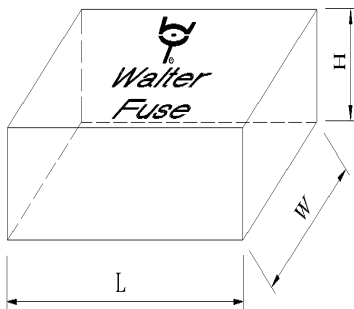
13. 包裝 / PACKING

13-1 包裝數量 / Packing Quantity

A : 每內盒裝 1000 個保險絲。
1000pcs per inner box .

B : 每外箱裝 20 內盒保險絲。
20 inner boxes per outer box .

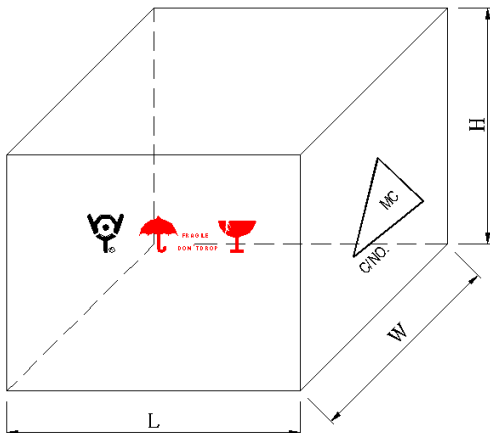
13-2 內包裝盒/Inner box of packing



單位/Unit : mm

L	W	H
157±3	127±3	84±2

13-3 外包裝箱/Outer box of packing



單位/Unit : mm

L	W	H
335±5	451±5	285±5

14.其他 / OTHERS

- 14-1 如果在使用中有超出本規格書的要求，必須經由雙方協商確認。
In the event that an impropriety is found beyond this specification, it shall be fixed by mutual agreement between the parties.
- 14-2 如果本規格書有不適當的情況，必須通過雙方協商並由本公司修改。
In the event that an impropriety is found in this specification, WALTER ELECTRONIC CO., LTD. shall amend it by mutual agreement between the parties.

版次	製作	確認	審核
第四版	吳世林 2016/12/19	葉子 2016/12/19	Eris Kuo 2016.12.29



JDYX.E56092 Fuses, Supplemental

If you notice a change to your JDYX Listing Card, click [here](#) to learn more.

[Page Bottom](#)

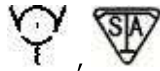
Fuses, Supplemental

[See General Information for Fuses, Supplemental](#)

WALTER ELECTRONIC CO LTD

E56092

2ND FL
97 CHUNG KING N RD, SEC 4
TAIPEI CITY, TAIWAN



Trademark and/or Tradename: "Walter" ,

Supplemental fuses: pigtail leads, cartridge enclosed

Cat. No.	Size mm(in)	Amps (A)	Volts (V)	Interrupting Rating (A)
BFP	4.6 x 15.2 (0.18 x 0.60)	0.1 - 1.0	125Vac	10000
		0.1 - 1.0	250Vac	35
		1.1 - 3.5	125Vac	10000
		1.1 - 3.5	250Vac	100
		3.6 - 7.0	125Vac	10000
BTP	4.6 x 15.2 (0.18 x 0.60)	3.0	300Vac	50
		0.1 - 7.0	125Vac	10000
		0.1 - 1.0	250Vac	35
		1.1 - 3.5	250Vac	100
CLP	6.35 x 31.8 (0.25 x 1.25)	3.6 - 7.0	250Vac	200
		0.01 - 0.8	125Vac	10000
		0.01 - 0.8	250Vac	35
CSP	5.2 x 20 (0.20 x 0.79)	1.0 - 2.5	125Vac	10000
		0.01 - 7.0	125Vac	10000
		0.01 - 1.0	250Vac	35
MDP	6.4 x 33 (0.25 x 1.30)	1.1 - 3.5	250Vac	100
		3.6 - 5.0	250Vac	200
		0.01 - 15	125Vac	10000

		0.01 - 1.0	250Vac	35
		1.1 - 3.5	250Vac	100
		3.60 - 8.0	250Vac	200
		0.01 - 15	125Vdc	500
MGP	6.35 x 31.75 (0.25 x 1.25)	0.01 - 15	125Vac	10000
		0.01 - 1.0	250Vac	35
		1.10 - 3.5	250Vac	100
		3.60 - 10	250Vac	200
SBP	5.2 x 15.2 (0.20 x 0.60)	0.125 - 3.5	125Vac	10000
		0.125 - 1.0	250Vac	35
		1.1 - 3.5	250Vac	100
		0.125 - 3.5	350Vac	100
SCP	5.2 x 20 (0.20 x 0.79)	0.1 - 10	125Vac	10000
		0.1 - 1.0	250Vac	35
		1.1 - 3.5	250Vac	100
		3.6 - 5.0	250Vac	200
		6 - 10	250Vac	200
SGP	5.2 x 20 (0.20 x 0.79)	0.01 - 10	125Vac	10000
		0.01 - 1.0	250Vac	35
		1.1 - 3.5	250Vac	100
		3.6 - 10	250Vac	200
SIP	5.2 x 20 (0.20 x 0.79)	0.1 - 5.0	125Vac	10000
		0.1 - 1.0	250Vac	35
		1.1 - 3.5	250Vac	100
		3.6 - 5.0	250Vac	200
		0.1 - 5.0	125Vdc	100
SLA	5.3 x 20.2 (0.21 x 0.80)	3.15 - 7	125Vac	10000
		0.01 - 3	125Vac	10000
		0.01 - 1	250Vac	35
		1.1 - 3	250Vac	100
TLP	6.35 x 31.8 (0.25 x 1.25)	0.01 - 4.0	125Vac	10000
		5.0	125Vac	10000
		5.0	250Vac	200
TSP	5.2 x 20 (0.20 x 0.79)	0.01 - 3.5	125Vac	10000
		0.01 - 1.0	250Vac	35
		1.1 - 3.5	250Vac	100

		4.0 - 5.0	125Vac	10000
--	--	-----------	--------	-------

Supplemental fuses: cartridge enclosed

Cat. No.	Size mm(in)	Amps (A)	Volts (V)	Interrupting Rating (A)
BGF	4.6 x 15.2 (0.18 x 0.60)	0.1 - 1.0	125Vac	10000
		0.1 - 1.0	250Vac	35
		1.1 - 3.5	125Vac	10000
		1.1 - 3.5	250Vac	100
		3.6 - 7.0	125Vac	10000
BGT	4.6 x 15.2 (0.18 x 0.60)	0.1 - 7.0	125Vac	10000
		0.1 - 1.0	250Vac	35
		1.1 - 3.5	250Vac	100
		3.6 - 7.0	250Vac	200
CIL	6.35 x 31.8 (0.25 x 1.25)	0.01 - 0.8	125Vac	10000
		0.01 - 0.8	250Vac	35
		1.0 - 2.5	125Vac	10000
CIS	5.2 x 20 (0.20 x 0.79)	0.01 - 10	125Vac	10000
		0.01 - 1.0	250Vac	35
		1.10 - 3.5	250Vac	100
		3.60 - 5.0	250Vac	200
MDC	6.4 x 33 (0.25 x 1.30)	0.01 - 15	125Vac	10000
		0.01 - 1.0	250Vac	35
		1.1 - 3.5	250Vac	100
		3.60 - 8.0	250Vac	200
		0.01 - 15	125Vdc	500
MGC	6.35 x 31.75 (0.25 x 1.25)	0.01 - 15	125Vac	10000
		0.01 - 1.0	250Vac	35
		1.10 - 3.5	250Vac	100
		3.60 - 10	250Vac	200
SBC	5.2 x 15.2 (0.20 x 0.60)	0.125 - 3.5	125Vac	10000
		0.125 - 1.0	250Vac	35
		1.1 - 3.5	250Vac	100
		0.125 - 3.5	350Vac	100
SCC	5.2 x 20 (0.20 x 0.79)	0.1 - 10	125Vac	10000
		0.1 - 1.0	250Vac	35
		1.1 - 3.5	250Vac	100

		3.6 - 5.0	250Vac	200
		6 - 10	250Vac	200
SGA	5.3 x 20.2 (0.21 x 0.80)	3.15 - 7	125Vac	10000
		0.01 - 3	125Vac	10000
		0.01 - 1	250Vac	35
		1.1 - 3	250Vac	100
SGC	5.2 x 20 (0.20 x 0.79)	0.01 - 10	125Vac	10000
		0.01 - 1.0	250Vac	35
		1.1 - 3.5	250Vac	100
		3.6 - 10	250Vac	200
SIC	5.2 x 20 (0.20 x 0.79)	0.1 - 7.0	125Vac	10000
		0.1 - 7.0	125Vdc	100
		0.1 - 1.0	250Vac	35
		1.1 - 3.5	250Vac	100
		3.6 - 7.0	250Vac	200
STC	5.2 x 20 (0.20 x 0.79)	0.01 - 7.0	125Vac	10000
		0.01 - 1.0	250Vac	35
		1.10 - 3.5	250Vac	100
		3.6 - 7.0	250Vac	200
TDL	6.35 x 31.8 (0.25 x 1.25)	0.01 - 4.0	125Vac	10000
		5.0	125Vac	10000
		5.0	250Vac	200
TDS	5.2 x 20 (0.20 x 0.79)	0.01 - 3.5	125Vac	10000
		4.0 - 5.0	125Vac	10000
		0.01 - 1.0	250Vac	35
		1.1 - 3.5	250Vac	100
TDS-1A	5.2 x 20 (0.20 x 0.79)	1	125Vac	10000
		1	250Vac	35
TDS-4A	5.2 x 20 (0.20 x 0.79)	4	125Vac	10000

Supplemental micro fuses

Cat. No.	Size mm(in)	Amps (A)	Volts (V)	Interrupting Rating (A)
6125F	6.1 x 2.5 x 2.5 (0.24 x 0.10 x 0.10)	0.25 - 15.0	125Vac	50
		0.25 - 15.0	63Vdc	300
6125T	6.1 x 2.5 x 2.5 (0.24 x 0.10 x 0.10)	0.2 - 7.0	125Vac	50

		0.2 - 6.3	125Vdc	50
		7.0	63Vdc	50
TSA	3.6 x 10 (0.14 x 0.39)	0.01 - 0.63	125Vac	50
		0.01 - 0.63	250Vac	35
		1.0 - 6.3	250Vac	50
TSA(1.0A to 6.3A)	3.6 x 10 (0.14 x 0.39)	1.0 - 6.3	250Vac	50
		1.0 - 6.3	125Vac	50

Supplemental micro fuses: pigtail leads

Cat. No.	Size mm(in)	Amps (A)	Volts (V)	Interrupting Rating (A)
FAP	3.6 x 10 (0.14 x 0.39)	0.01 - 0.63	125Vac	50
		0.01 - 0.63	250Vac	35
		0.7 - 6.3	125Vac	50
		0.7 - 6.3	250Vac	50
FCP	3.0 x 7.3 (0.12 x 0.29)	0.16 - 6.3	125Vac	50
		0.16 - 6.3	125Vdc	50
FIP	3.6 x 10 (0.14 x 0.39)	0.25 - 6.3	250Vac	50
FUP	3.6 x 10 (0.14 x 0.39)	0.3	250Vac	50
TCP	3.0 x 7.3 (0.12 x 0.29)	0.16 - 6.3	125Vac	50
		0.16 - 6.3	125Vdc	50

Supplemental micro fuses: pigtail leads, cartridge enclosed

Cat. No.	Size mm(in)	Amps (A)	Volts (V)	Interrupting Rating (A)
ICP	3.6 x 10 (0.14 x 0.39)	0.1 - 6.3	250Vac	50
		0.1 - 6.3	125Vac	50
TAP	3.6 x 10 (0.14 x 0.39)	0.1 - 6.3	250Vac	50
		0.1 - 6.3	125Vac	50

Supplemental micro fuses: pigtail leads, filled-tube

Cat. No.	Size mm(in)	Amps (A)	Volts (V)	Interrupting Rating (A)
2001	8.2 x 7 x 0.85 (0.32 x 0.28 x 0.03)	0.1 - 6.3	125Vac	50
		0.1 - 6.3	250Vac	50

Last Updated on 2016-05-19

[Questions?](#)[Print this page](#)[Terms of Use](#)[Page Top](#)

The appearance of a company's name or product in this database does not in itself assure that products so identified have been manufactured under UL's Follow-Up Service. Only those products bearing the UL Mark should be considered to be Certified and covered under UL's Follow-Up Service. Always look for the Mark on the product.

UL permits the reproduction of the material contained in the Online Certification Directory subject to the following conditions: 1. The Guide Information, Assemblies, Constructions, Designs, Systems, and/or Certifications (files) must be presented in their entirety and in a non-misleading manner, without any manipulation of the data (or drawings). 2. The statement "Reprinted from the Online Certifications Directory with permission from UL" must appear adjacent to the extracted material. In addition, the reprinted material must include a copyright notice in the following format: "© 2017 UL LLC".



JDYX7.E56092 Fuses, Supplemental Certified for Canada

If you notice a change to your JDYX7 Listing Card, click [here](#) to learn more.

[Page Bottom](#)

Fuses, Supplemental Certified for Canada

[See General Information for Fuses, Supplemental Certified for Canada](#)

WALTER ELECTRONIC CO LTD

E56092

2ND FL

97 CHUNG KING N RD, SEC 4

TAIPEI CITY, TAIWAN

Supplemental fuses: pigtail leads, cartridge enclosed

Cat. No.	Size mm(in)	Amps (A)	Volts (V)	Interrupting Rating (A)
BFP	4.6 x 15.2 (0.18 x 0.60)	0.1 - 1.0	125Vac	10000
		0.1 - 1.0	250Vac	35
		1.1 - 3.5	125Vac	10000
		1.1 - 3.5	250Vac	100
		3.6 - 7.0	125Vac	10000
BTP	4.6 x 15.2 (0.18 x 0.60)	3.0	300Vac	50
		0.1 - 7.0	125Vac	10000
		0.1 - 1.0	250Vac	35
		1.1 - 3.5	250Vac	100
		3.6 - 7.0	250Vac	200
CLP	6.35 x 31.8 (0.25 x 1.25)	0.01 - 0.8	125Vac	10000
		0.01 - 0.8	250Vac	35
		1.0 - 2.5	125Vac	10000
CSP	5.2 x 20 (0.20 x 0.79)	0.01 - 7.0	125Vac	10000
		0.01 - 1.0	250Vac	35
		1.1 - 3.5	250Vac	100
		3.6 - 5.0	250Vac	200
MDP	6.4 x 33 (0.25 x 1.30)	0.01 - 15	125Vac	10000
		0.01 - 1.0	250Vac	35
		1.1 - 3.5	250Vac	100
		3.60 - 8.0	250Vac	200
		0.01 - 15	125Vdc	500

MGP	6.35 x 31.75 (0.25 x 1.25)	0.01 - 15	125Vac	10000
		0.01 - 1.0	250Vac	35
		1.10 - 3.5	250Vac	100
		3.60 - 10	250Vac	200
SBP	5.2 x 15.2 (0.20 x 0.60)	0.125 - 3.5	125Vac	10000
		0.125 - 1.0	250Vac	35
		1.1 - 3.5	250Vac	100
		0.125 - 3.5	350Vac	100
SCP	5.2 x 20 (0.20 x 0.79)	0.1 - 10	125Vac	10000
		0.1 - 1.0	250Vac	35
		1.1 - 3.5	250Vac	100
		3.6 - 5.0	250Vac	200
		6 - 10	250Vac	200
SGP	5.2 x 20 (0.20 x 0.79)	0.01 - 10	125Vac	10000
		0.01 - 1.0	250Vac	35
		1.1 - 3.5	250Vac	100
		3.6 - 10	250Vac	200
SIP	5.2 x 20 (0.20 x 0.79)	0.1 - 5.0	125Vac	10000
		0.1 - 1.0	250Vac	35
		1.1 - 3.5	250Vac	100
		3.6 - 5.0	250Vac	200
		0.1 - 5.0	125Vdc	100
SLA	5.3 x 20.2 (0.21 x 0.80)	3.15 - 7	125Vac	10000
		0.01 - 3	125Vac	10000
		0.01 - 1	250Vac	35
		1.1 - 3	250Vac	100
TLP	6.35 x 31.8 (0.25 x 1.25)	0.01 - 4.0	125Vac	10000
		5.0	125Vac	10000
		5.0	250Vac	200
TSP	5.2 x 20 (0.20 x 0.79)	0.01 - 3.5	125Vac	10000
		0.01 - 1.0	250Vac	35
		1.1 - 3.5	250Vac	100
		4.0 - 5.0	125Vac	10000

Supplemental fuses: cartridge enclosed

Cat. No.	Size mm(in)	Amps (A)	Volts (V)	Interrupting Rating (A)
-----------------	------------------------	---------------------	----------------------	------------------------------------

BGF	4.6 x 15.2 (0.18 x 0.60)	0.1 - 1.0	125Vac	10000
		0.1 - 1.0	250Vac	35
		1.1 - 3.5	125Vac	10000
		1.1 - 3.5	250Vac	100
		3.6 - 7.0	125Vac	10000
BGT	4.6 x 15.2 (0.18 x 0.60)	0.1 - 7.0	125Vac	10000
		0.1 - 1.0	250Vac	35
		1.1 - 3.5	250Vac	100
		3.6 - 7.0	250Vac	200
CIL	6.35 x 31.8 (0.25 x 1.25)	0.01 - 0.8	125Vac	10000
		0.01 - 0.8	250Vac	35
		1.0 - 2.5	125Vac	10000
CIS	5.2 x 20 (0.20 x 0.79)	0.01 - 10	125Vac	10000
		0.01 - 1.0	250Vac	35
		1.10 - 3.5	250Vac	100
		3.60 - 5.0	250Vac	200
MDC	6.4 x 33 (0.25 x 1.30)	0.01 - 15	125Vac	10000
		0.01 - 1.0	250Vac	35
		1.1 - 3.5	250Vac	100
		3.60 - 8.0	250Vac	200
		0.01 - 15	125Vdc	500
MGC	6.35 x 31.75 (0.25 x 1.25)	0.01 - 15	125Vac	10000
		0.01 - 1.0	250Vac	35
		1.10 - 3.5	250Vac	100
		3.60 - 10	250Vac	200
SBC	5.2 x 15.2 (0.20 x 0.60)	0.125 - 3.5	125Vac	10000
		0.125 - 1.0	250Vac	35
		1.1 - 3.5	250Vac	100
		0.125 - 3.5	350Vac	100
SCC	5.2 x 20 (0.20 x 0.79)	0.1 - 10	125Vac	10000
		0.1 - 1.0	250Vac	35
		1.1 - 3.5	250Vac	100
		3.6 - 5.0	250Vac	200
		6 - 10	250Vac	200
SGA	5.3 x 20.2 (0.21 x 0.80)	3.15 - 7	125Vac	10000

		0.01 - 3	125Vac	10000
		0.01 - 1	250Vac	35
		1.1 - 3	250Vac	100
SGC	5.2 x 20 (0.20 x 0.79)	0.01 - 10	125Vac	10000
		0.01 - 1.0	250Vac	35
		1.1 - 3.5	250Vac	100
		3.6 - 10	250Vac	200
SIC	5.2 x 20 (0.20 x 0.79)	0.1 - 7.0	125Vac	10000
		0.1 - 7.0	125Vdc	100
		0.1 - 1.0	250Vac	35
		1.1 - 3.5	250Vac	100
		3.6 - 7.0	250Vac	200
STC	5.2 x 20 (0.20 x 0.79)	0.01 - 7.0	125Vac	10000
		0.01 - 1.0	250Vac	35
		1.10 - 3.5	250Vac	100
		3.6 - 7.0	250Vac	200
TDL	6.35 x 31.8 (0.25 x 1.25)	0.01 - 4.0	125Vac	10000
		5.0	125Vac	10000
		5.0	250Vac	200
TDS	5.2 x 20 (0.20 x 0.79)	0.01 - 3.5	125Vac	10000
		4.0 - 5.0	125Vac	10000
		0.01 - 1.0	250Vac	35
		1.1 - 3.5	250Vac	100
TDS-1A	5.2 x 20 (0.20 x 0.79)	1	125Vac	10000
		1	250Vac	35
TDS-4A	5.2 x 20 (0.20 x 0.79)	4	125Vac	10000

Supplemental micro fuses

Cat. No.	Size mm(in)	Amps (A)	Volts (V)	Interrupting Rating (A)
6125F	6.1 x 2.5 x 2.5 (0.24 x 0.10 x 0.10)	0.25 - 15.0	125Vac	50
		0.25 - 15.0	63Vdc	300
6125T	6.1 x 2.5 x 2.5 (0.24 x 0.10 x 0.10)	0.2 - 7.0	125Vac	50
		0.2 - 6.3	125Vdc	50
		7.0	63Vdc	50
TSA	3.6 x 10 (0.14 x 0.39)	0.01 - 0.63	125Vac	50

		0.01 - 0.63	250Vac	35
		1.0 - 6.3	250Vac	50
TSA(1.0A to 6.3A)	3.6 x 10 (0.14 x 0.39)	1.0 - 6.3	250Vac	50
		1.0 - 6.3	125Vac	50

Supplemental micro fuses: pigtail leads

Cat. No.	Size mm(in)	Amps (A)	Volts (V)	Interrupting Rating (A)
FAP	3.6 x 10 (0.14 x 0.39)	0.01 - 0.63	125Vac	50
		0.01 - 0.63	250Vac	35
		0.7 - 6.3	125Vac	50
		0.7 - 6.3	250Vac	50
FCP	3.0 x 7.3 (0.12 x 0.29)	0.16 - 6.3	125Vac	50
		0.16 - 6.3	125Vdc	50
FIP	3.6 x 10 (0.14 x 0.39)	0.25 - 6.3	250Vac	50
FUP	3.6 x 10 (0.14 x 0.39)	0.3	250Vac	50
TCP	3.0 x 7.3 (0.12 x 0.29)	0.16 - 6.3	125Vac	50
		0.16 - 6.3	125Vdc	50

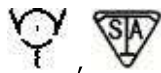
Supplemental micro fuses: pigtail leads, cartridge enclosed

Cat. No.	Size mm(in)	Amps (A)	Volts (V)	Interrupting Rating (A)
ICP	3.6 x 10 (0.14 x 0.39)	0.1 - 6.3	250Vac	50
		0.1 - 6.3	125Vac	50
TAP	3.6 x 10 (0.14 x 0.39)	0.1 - 6.3	250Vac	50
		0.1 - 6.3	125Vac	50

Supplemental micro fuses: pigtail leads, filled-tube

Cat. No.	Size mm(in)	Amps (A)	Volts (V)	Interrupting Rating (A)
2001	8.2 x 7 x 0.85 (0.32 x 0.28 x 0.03)	0.1 - 6.3	125Vac	50
		0.1 - 6.3	250Vac	50

Trademark and/or Tradename: "Walter" ,



Last Updated on 2016-05-19

[Questions?](#)[Print this page](#)[Terms of Use](#)[Page Top](#)

The appearance of a company's name or product in this database does not in itself assure that products so identified have been manufactured under UL's Follow-Up Service. Only those products bearing the UL Mark should be considered to be Certified and covered under UL's Follow-Up Service. Always look for the Mark on the product.

UL permits the reproduction of the material contained in the Online Certification Directory subject to the following conditions: 1. The Guide Information, Assemblies, Constructions, Designs, Systems, and/or Certifications (files) must be presented in their entirety and in a non-misleading manner, without any manipulation of the data (or drawings). 2. The statement "Reprinted from the Online Certifications Directory with permission from UL" must appear adjacent to the extracted material. In addition, the reprinted material must include a copyright notice in the following format: "© 2017 UL LLC".