

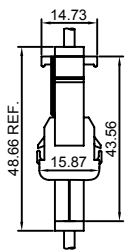
Specifications

- Current rating: 13.5A AC, DC (Max)
- Voltage rating: 600V AC, DC
- Temperature range: -40°C ~ +105°C
- Contact resistance: 3.5mΩ Max.
- Insulation resistance: 1000MΩ Min.
- Withstanding voltage: 5000V AC/minute
- *Compliant with RoHS and REACH*
- *Meet the HF/Halogen Free, GWT/Glow wire Test (IEC60335-1) request, need to customize*
- *Contact CJT for details*

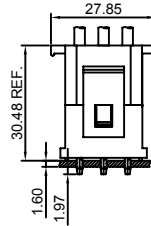
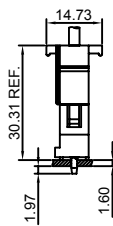
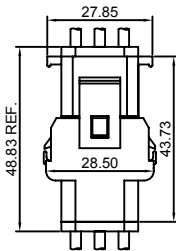
Standards



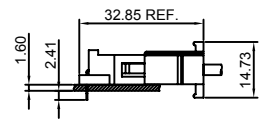
Assembly layout



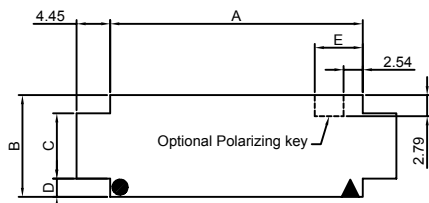
wire to wire



wire to board



Panel hole layout



- ▲ Circuit 1 location when using polarizing key option with 2, 3, 4, 5, 6, 7, 8, 9, 10 circuit housing
- option with 3x2, 3x3, 3x4, 3x5 circuit housing

PART NO.	Dimensions				
	A	B	C	D	E
C6351HM-2P	14.35	13.46	8.64	2.41	6.35
C6351HM-3P	20.70	13.46	8.64	2.41	6.35
C6351HM-4P	27.05	13.46	8.64	2.41	6.35
C6351HM-5P	33.40	13.46	8.64	2.41	6.35
C6351HM-6P	39.75	13.46	8.64	2.41	6.35
C6351HM-7P	46.10	13.46	8.64	2.41	6.35
C6351HM-8P	52.45	13.46	8.64	2.41	6.35
C6351HM-9P	58.80	13.46	8.64	2.41	6.35
C6351HM-10P	65.15	13.46	8.64	2.41	6.35
C6351HM-3x2P	14.35	26.16	12.19	6.99	6.35
C6351HM-3x3P	20.70	26.16	12.19	6.99	6.35
C6351HM-3x4P	27.05	26.16	12.19	6.99	8.89
C6351HM-3x5P	33.40	26.16	12.19	6.99	8.89

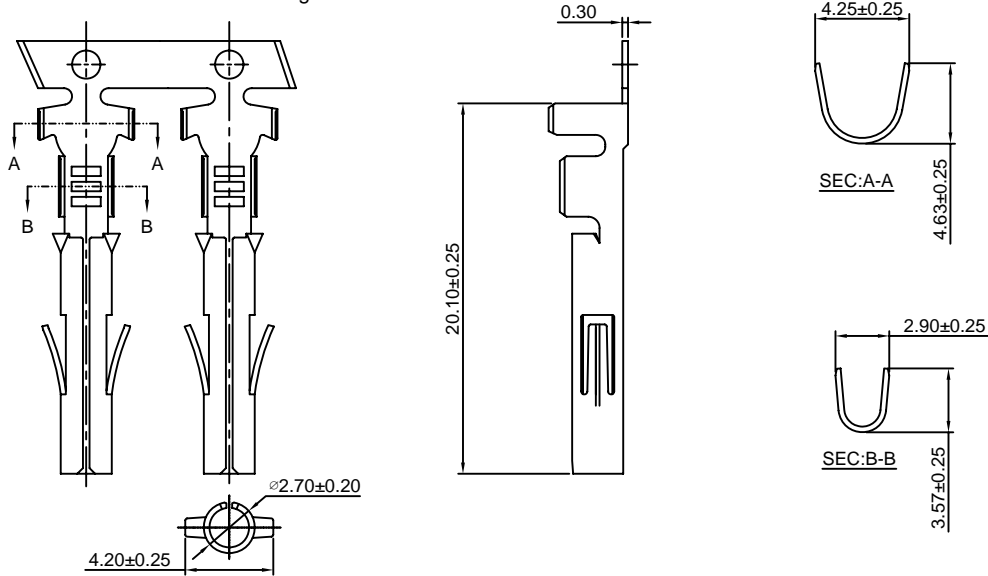
Unit:mm

C6351F-T

6.35mm pitch Crimp Terminal

Reference Informations:

*Used in CJT C6351HF or C6351HM series Housing



Ordering information & Specifications:

Unit:mm

Part NO.	Wire Range	Insulation O.D.	Material	Finish	Qty/reel
C6351F-TB	AWG#14-#20	3.30mm(max)	Brass	Tin over Nickel	4,000 PCS
C6351F-TP	AWG#14-#20	3.30mm(max)	Phosphor Bronze	Tin over Nickel	4,000 PCS
C6351F-GB	AWG#14-#20	3.30mm(max)	Brass	Gold over Nickel	4,000 PCS
C6351F-GP	AWG#14-#20	3.30mm(max)	Phosphor Bronze	Gold over Nickel	4,000 PCS

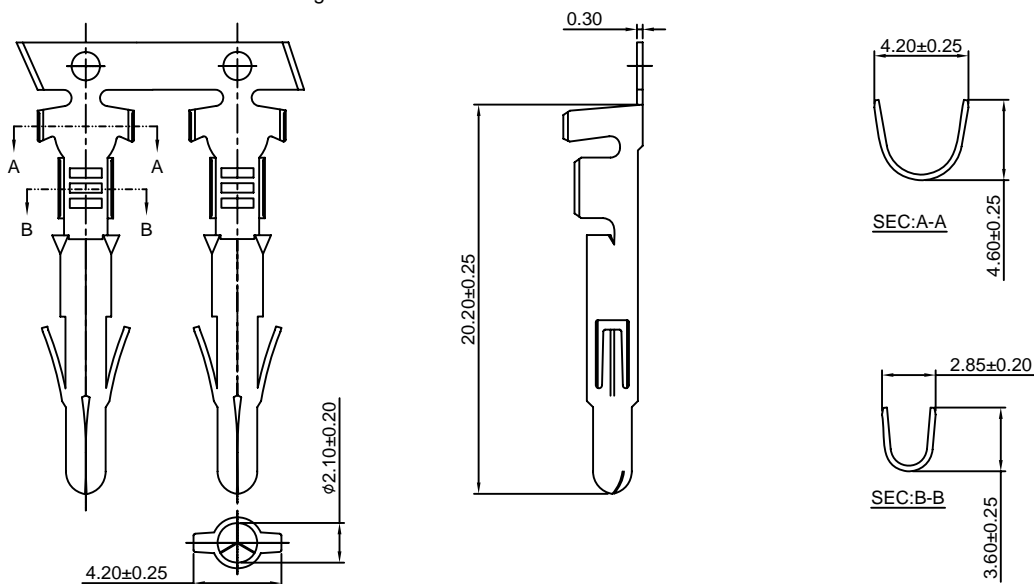
Optional Gold plating available but MOQ requested

C6351M-T

6.35mm pitch Crimp Terminal

Reference Informations:

*Used in CJT C6351HF or C6351HM series Housing



Ordering information & Specifications:

Unit:mm

Part NO.	Wire Range	Insulation O.D.	Material	Finish	Qty/reel
C6351M-TB	AWG#14-#20	3.30mm(max)	Brass	Tin over Nickel	4,000 PCS
C6351M-TP	AWG#14-#20	3.30mm(max)	Phosphor Bronze	Tin over Nickel	4,000 PCS
C6351M-GB	AWG#14-#20	3.30mm(max)	Brass	Gold over Nickel	4,000 PCS
C6351M-GP	AWG#14-#20	3.30mm(max)	Phosphor Bronze	Gold over Nickel	4,000 PCS

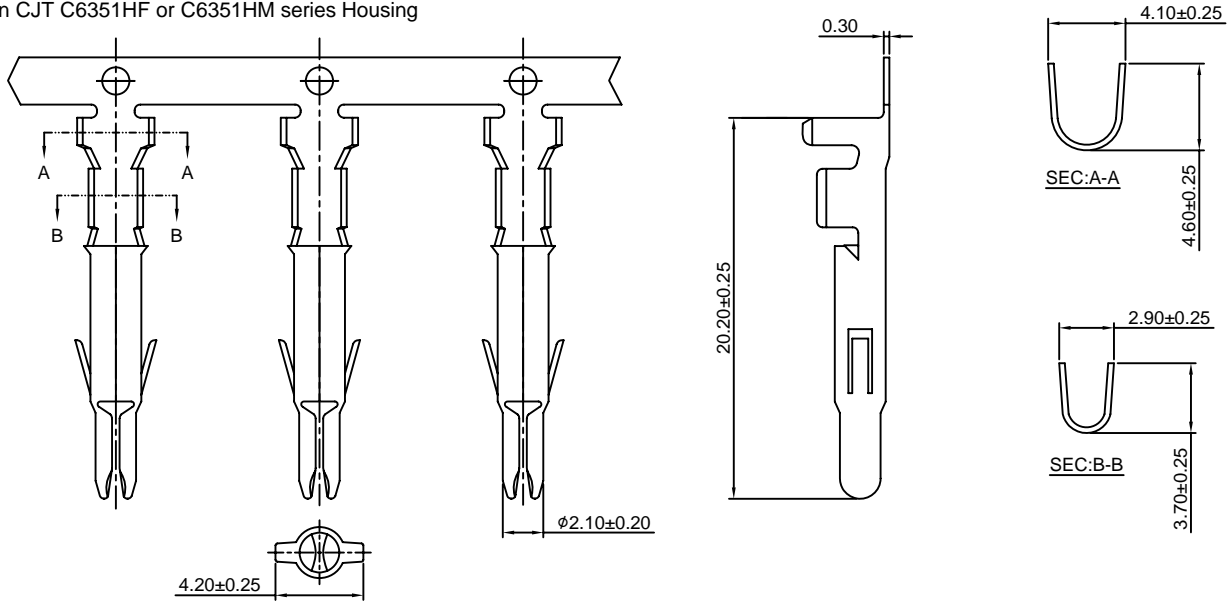
Optional Gold plating available but MOQ requested

C6351MA-T

6.35mm pitch Crimp Terminal

Reference Informations:

*Used in CJT C6351HF or C6351HM series Housing



Ordering information & Specifications:

Unit:mm

Part NO.	Wire Range	Insulation O.D.	Material	Finish	Qty/reel
C6351MA-TB	AWG#16-#20	3.30mm(max)	Brass	Tin over Nickel	4,000 PCS
C6351MA-TP	AWG#16-#20	3.30mm(max)	Phosphor Bronze	Tin over Nickel	4,000 PCS
C6351MA-GB	AWG#16-#20	3.30mm(max)	Brass	Gold over Nickel	4,000 PCS
C6351MA-GP	AWG#16-#20	3.30mm(max)	Phosphor Bronze	Gold over Nickel	4,000 PCS

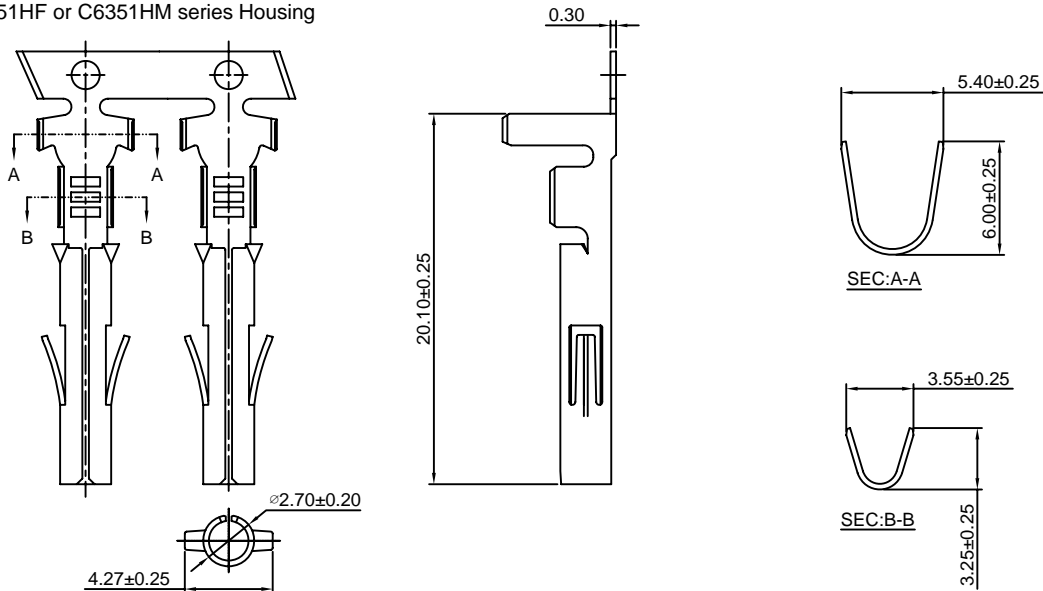
Optional Gold plating available but MOQ requested

C6351F-T-H

6.35mm pitch Crimp Terminal

Reference Informations:

*Used in CJT C6351HF or C6351HM series Housing



Ordering information & Specifications:

Unit:mm

Part NO.	Wire Range	Insulation O.D.	Material	Finish	Qty/reel
C6351F-TB-H	AWG#12-#14	4.30mm(max)	Brass	Tin over Nickel	2,500 PCS
C6351F-TP-H	AWG#12-#14	4.30mm(max)	Phosphor Bronze	Tin over Nickel	2,500 PCS
C6351F-GB-H	AWG#12-#14	4.30mm(max)	Brass	Gold over Nickel	2,500 PCS
C6351F-GP-H	AWG#12-#14	4.30mm(max)	Phosphor Bronze	Gold over Nickel	2,500 PCS

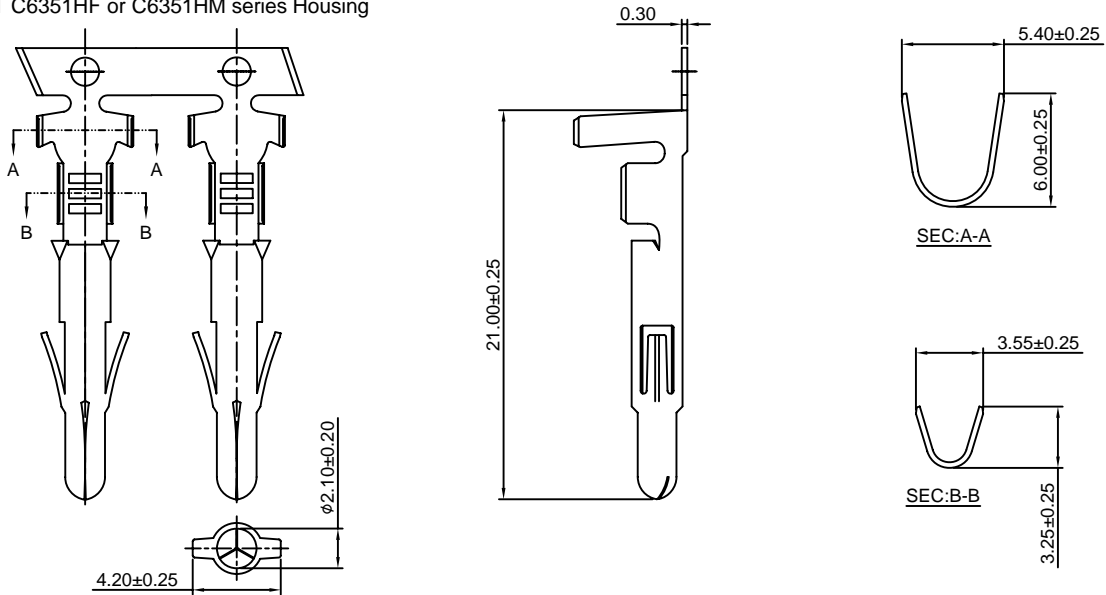
Optional Gold plating available but MOQ requested

C6351M-T-H

6.35mm pitch Crimp Terminal

Reference Informations:

*Used in CJT C6351HF or C6351HM series Housing



Ordering information & Specifications:

Unit:mm

Part NO.	Wire Range	Insulation O.D.	Material	Finish	Qty/reel
C6351M-TB-H	AWG#12-#14	4.30mm(max)	Brass	Tin over Nickel	2,500 PCS
C6351M-TP-H	AWG#12-#14	4.30mm(max)	Phosphor Bronze	Tin over Nickel	2,500 PCS
C6351M-GB-H	AWG#12-#14	4.30mm(max)	Brass	Gold over Nickel	2,500 PCS
C6351M-GP-H	AWG#12-#14	4.30mm(max)	Phosphor Bronze	Gold over Nickel	2,500 PCS

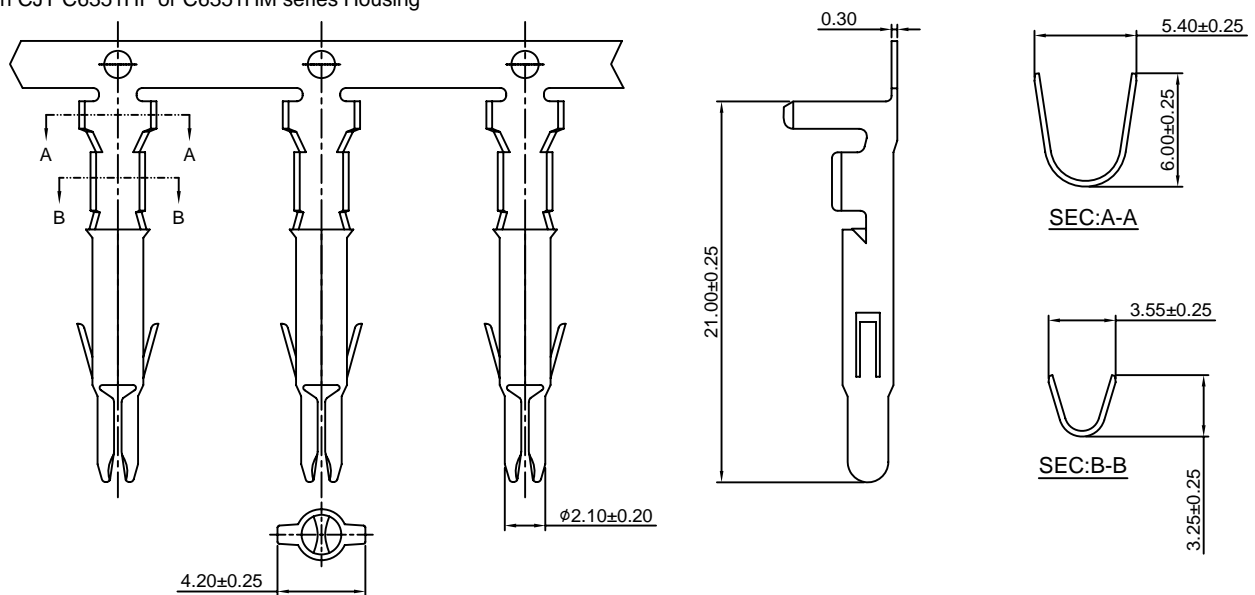
Optional Gold plating available but MOQ requested

C6351MA-T-H

6.35mm pitch Crimp Terminal

Reference Informations:

*Used in CJT C6351HF or C6351HM series Housing



Ordering information & Specifications:

Unit:mm

Part NO.	Wire Range	Insulation O.D.	Material	Finish	Qty/reel
C6351MA-TB-H	AWG#12-#14	4.30mm(max)	Brass	Tin over Nickel	2,500 PCS
C6351MA-TP-H	AWG#12-#14	4.30mm(max)	Phosphor Bronze	Tin over Nickel	2,500 PCS
C6351MA-GB-H	AWG#12-#14	4.30mm(max)	Brass	Gold over Nickel	2,500 PCS
C6351MA-GP-H	AWG#12-#14	4.30mm(max)	Phosphor Bronze	Gold over Nickel	2,500 PCS

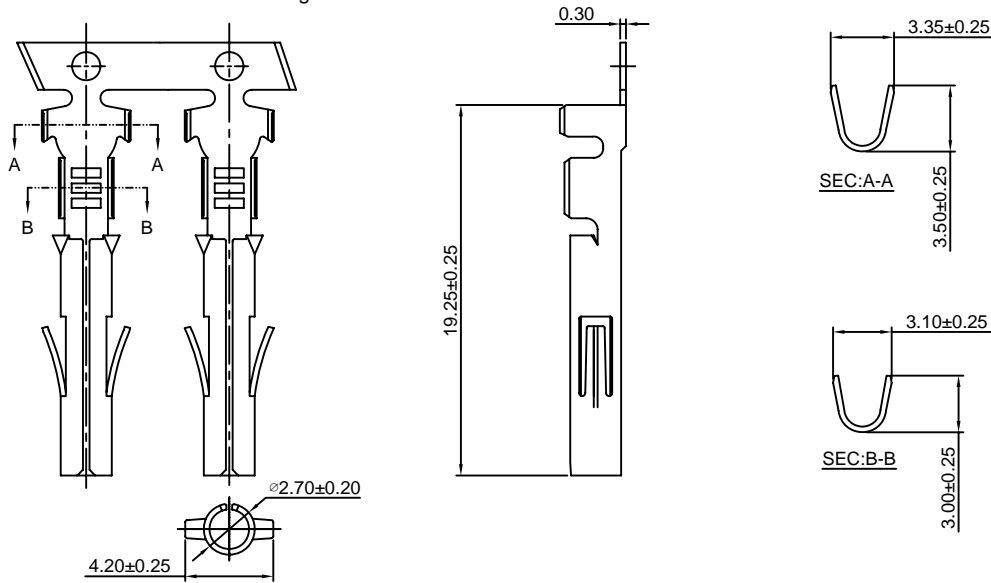
Optional Gold plating available but MOQ requested

C6351F-T-L

6.35mm pitch Crimp Terminal

Reference Informations:

*Used in CJT C6351HF or C6351HM series Housing



Ordering information & Specifications:

Unit:mm

Part NO.	Wire Range	Insulation O.D.	Material	Finish	Qty/reel
C6351F-TB-L	AWG#18-#24	2.54mm(max)	Brass	Tin over Nickel	5,000 PCS
C6351F-TP-L	AWG#18-#24	2.54mm(max)	Phosphor Bronze	Tin over Nickel	5,000 PCS
C6351F-GB-L	AWG#18-#24	2.54mm(max)	Brass	Gold over Nickel	5,000 PCS
C6351F-GP-L	AWG#18-#24	2.54mm(max)	Phosphor Bronze	Gold over Nickel	5,000 PCS

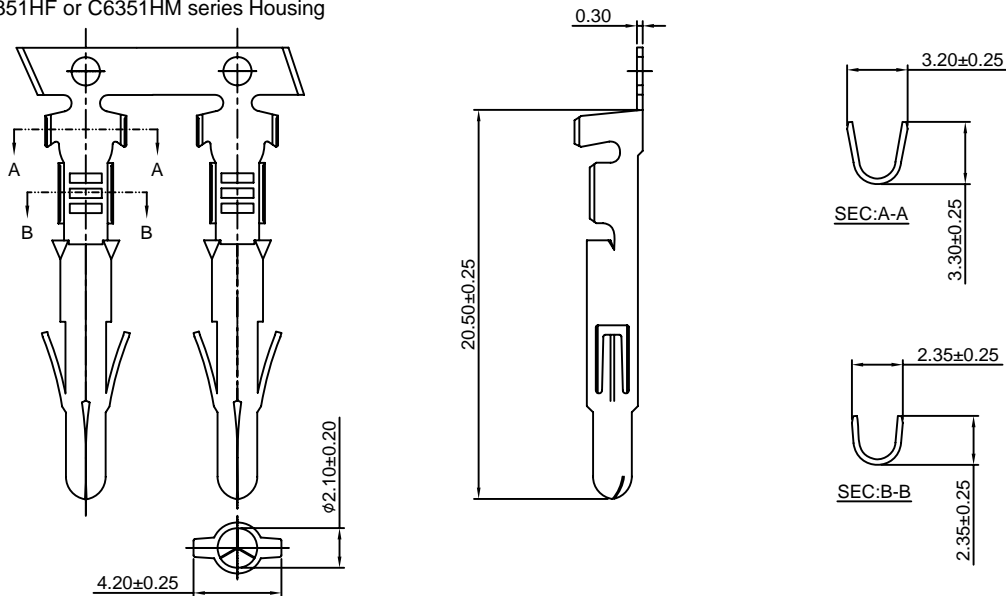
Optional Gold plating available but MOQ requested

C6351M-T-L

6.35mm pitch Crimp Terminal

Reference Informations:

*Used in CJT C6351HF or C6351HM series Housing



Ordering information & Specifications:

Unit:mm

Part NO.	Wire Range	Insulation O.D.	Material	Finish	Qty/reel
C6351M-TB-L	AWG#18-#24	2.54mm(max)	Brass	Tin over Nickel	5,000 PCS
C6351M-TP-L	AWG#18-#24	2.54mm(max)	Phosphor Bronze	Tin over Nickel	5,000 PCS
C6351M-GB-L	AWG#18-#24	2.54mm(max)	Brass	Gold over Nickel	5,000 PCS
C6351M-GP-L	AWG#18-#24	2.54mm(max)	Phosphor Bronze	Gold over Nickel	5,000 PCS

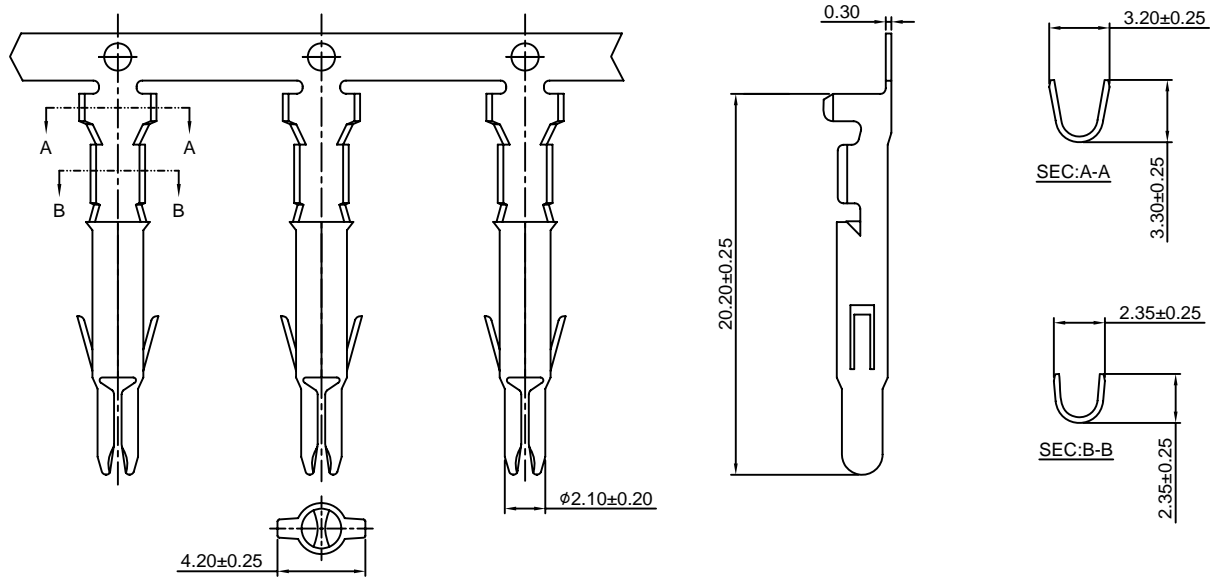
Optional Gold plating available but MOQ requested

C6351MA-T-L

6.35mm pitch Crimp Terminal

Reference Informations:

*Used in CJT C6351HF or C6351HM series Housing



Ordering information & Specifications:

Unit:mm

Part NO.	Wire Range	Insulation O.D.	Material	Finish	Qty/reel
C6351MA-TB-L	AWG#18-#24	2.54mm(max)	Brass	Tin over Nickel	5,000 PCS
C6351MA-TP-L	AWG#18-#24	2.54mm(max)	Phosphor Bronze	Tin over Nickel	5,000 PCS
C6351MA-GB-L	AWG#18-#24	2.54mm(max)	Brass	Gold over Nickel	5,000 PCS
C6351MA-GP-L	AWG#18-#24	2.54mm(max)	Phosphor Bronze	Gold over Nickel	5,000 PCS

Optional Gold plating available but MOQ requested

C6351H

6.35mm pitch Single Row Housing

Reference Informations:

- *Material: Nylon 66, UL94V-2 or UL94V-0
- *C6351HF/HM Suitable CJT C6351F-T(-H/-L) or C6351M-T(-H/-L) or C6351MA-T(-H/-L) series Terminal
- *Mates with CJT C6351 series Single row Housing or C6351 series Single row Wafer
- *Color: Natural

Ordering Information:

C6351HF<HFA>-XP - ***
 $\frac{1}{2}$

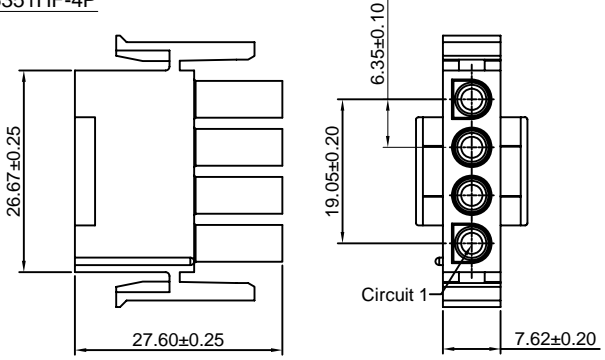
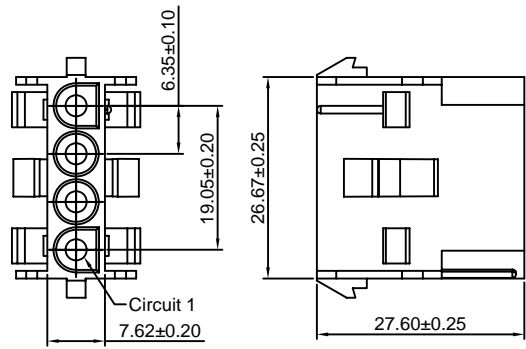
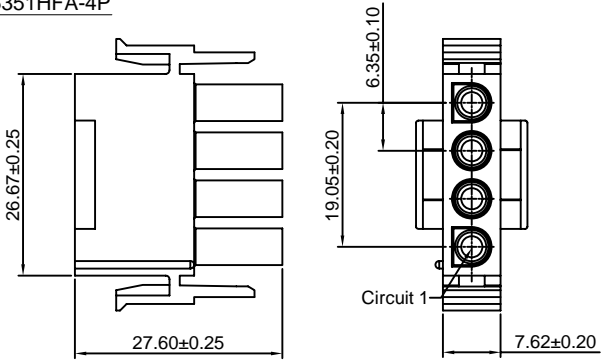
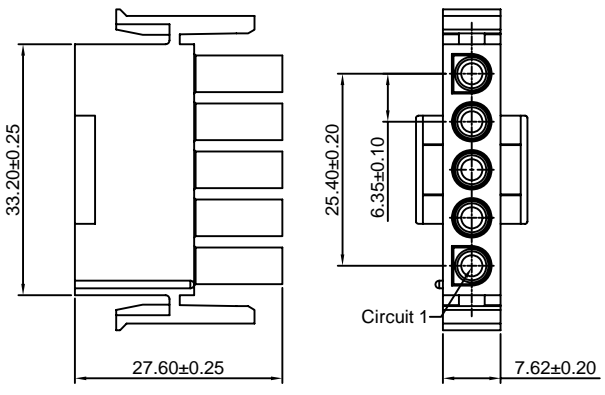
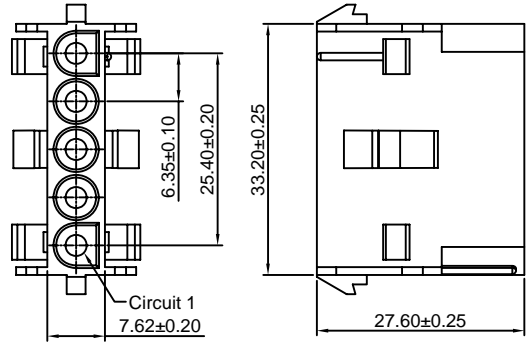
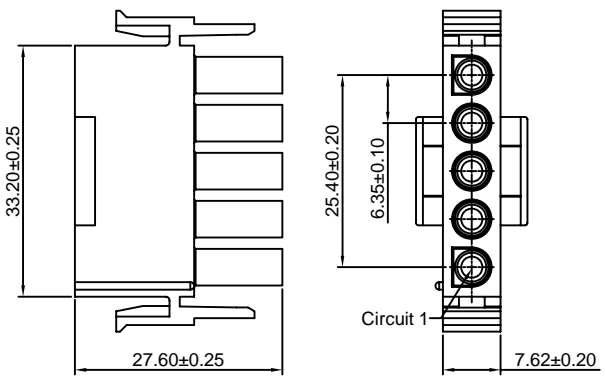
1. Part No.
2. Material:
 (blank): Nylon 66, UL94V-2/Natural
 V0: Nylon 66, UL94V-0/White
 GWT: Nylon 66, UL94V-0, GWT 750°C

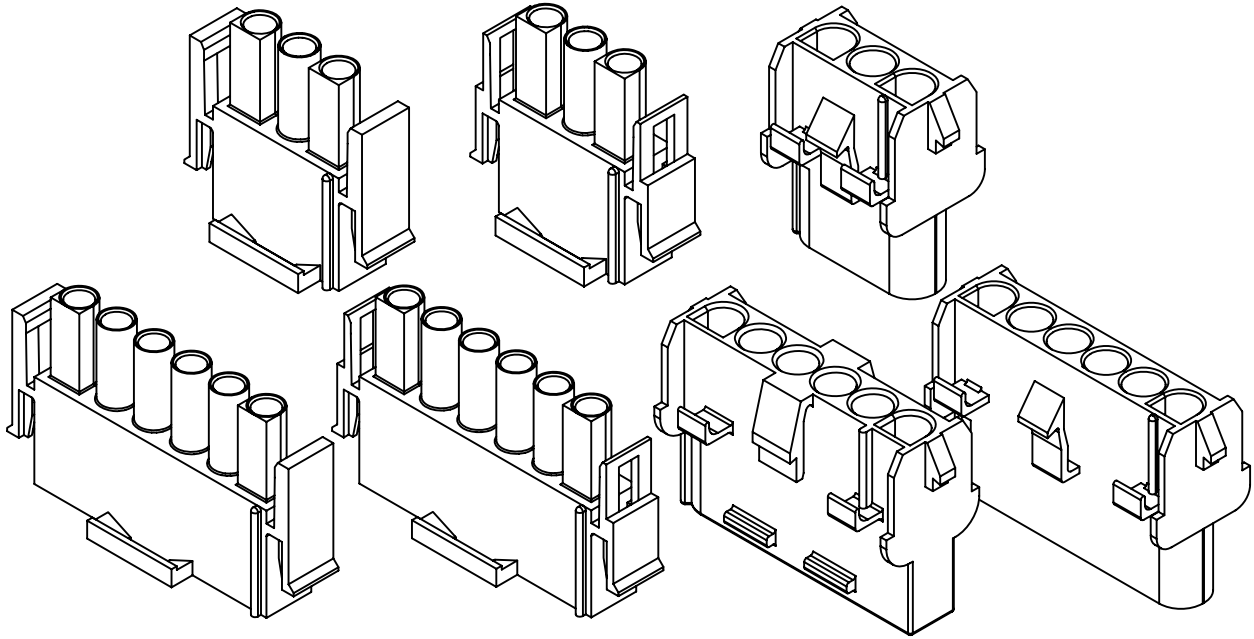
Ordering Information:

C6351HM<HMA>-XP - ***
 $\frac{1}{2}$

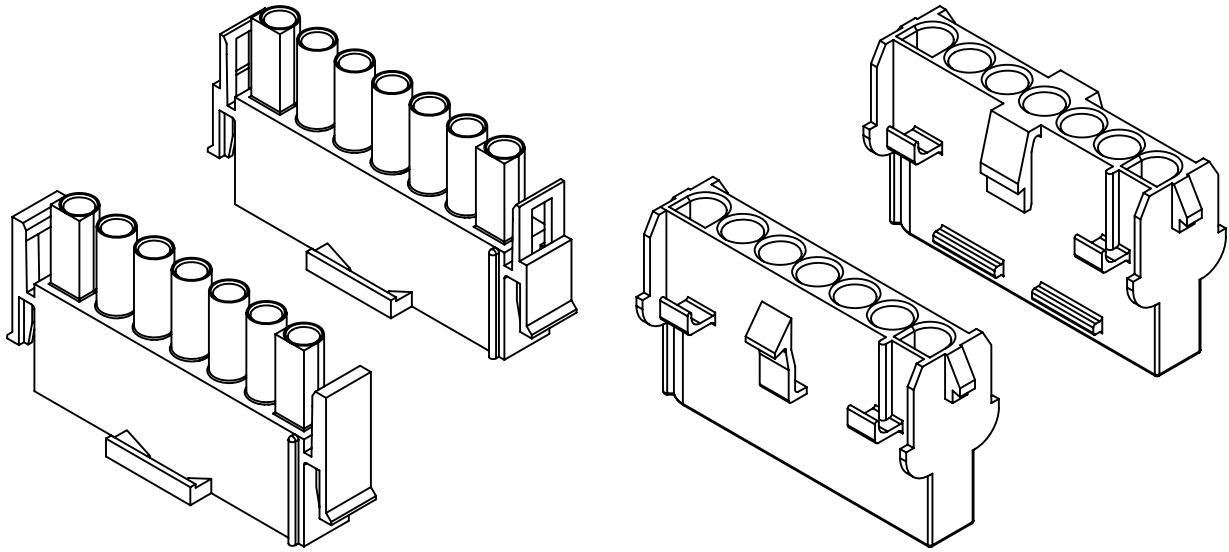
1. Part No.
2. Material:
 (blank): Nylon 66, UL94V-2/Natural
 V0: Nylon 66, UL94V-0/White
 GWT: Nylon 66, UL94V-0, GWT 750°C

C6351HF<HFA>	C6351HM
<p>C6351HF-1P</p>	<p>C6351HM-1P</p>
<p>C6351HF-2P C6351HF-2P-A(With Post)</p>	<p>C6351HM-2P</p>
<p>C6351HFA-2P C6351HFA-2P-A(With Post)</p>	<p>C6351HM-3P</p>
<p>C6351HF-3P</p>	<p>C6351HFA-3P</p>

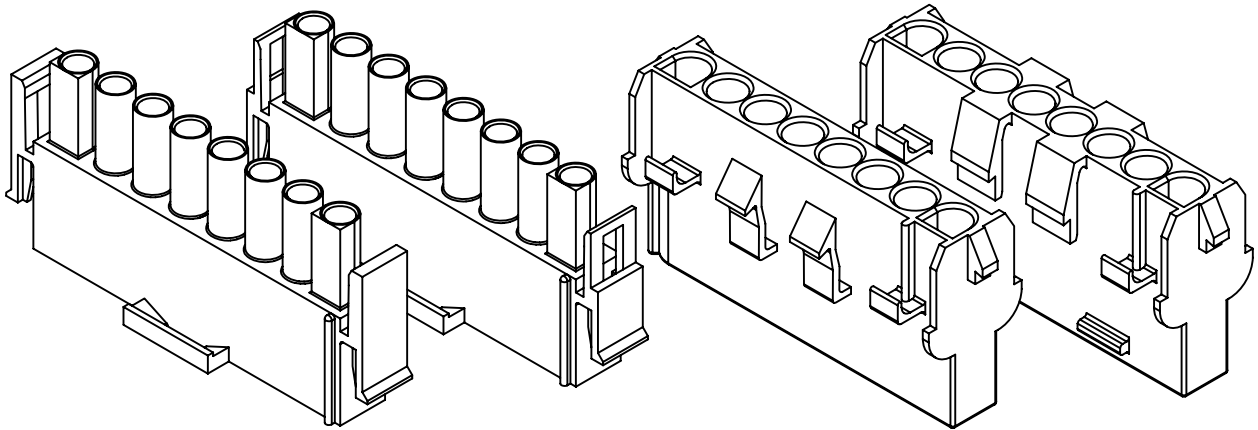
C6351HF<HFA>	C6351HM
<p><u>C6351HF-4P</u></p> 	<p><u>C6351HM-4P</u></p> 
<p><u>C6351HFA-4P</u></p> 	
<p><u>C6351HF-5P</u></p> 	<p><u>C6351HM-5P</u></p> 
<p><u>C6351HFA-5P</u></p> 	

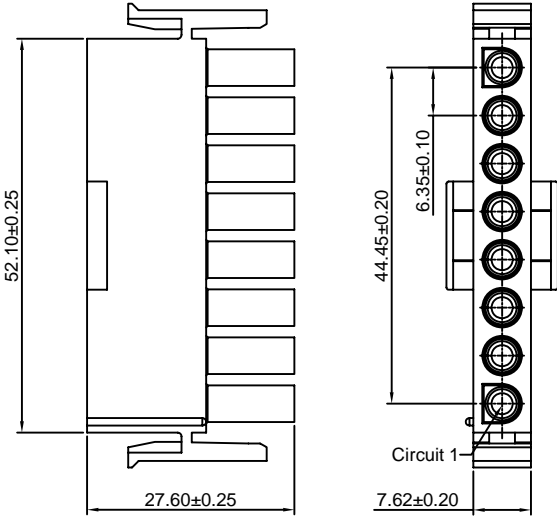
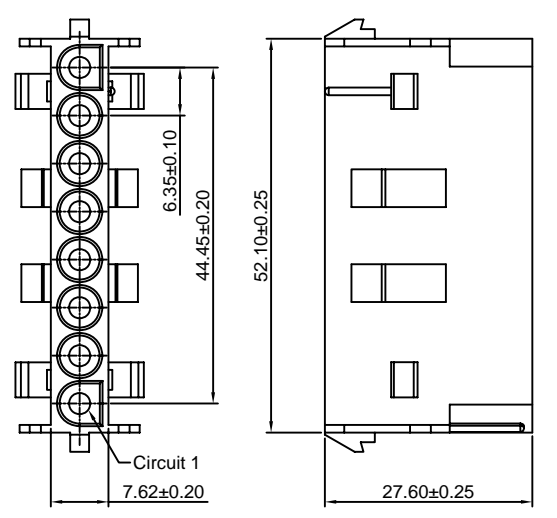
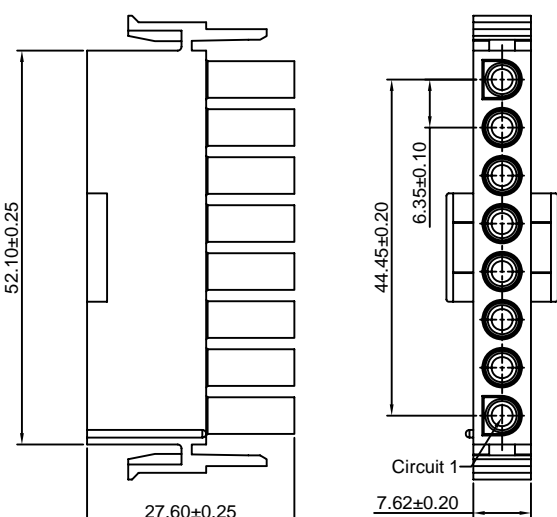
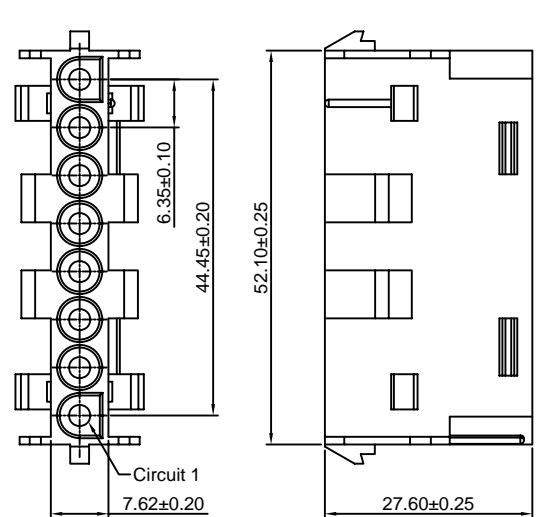


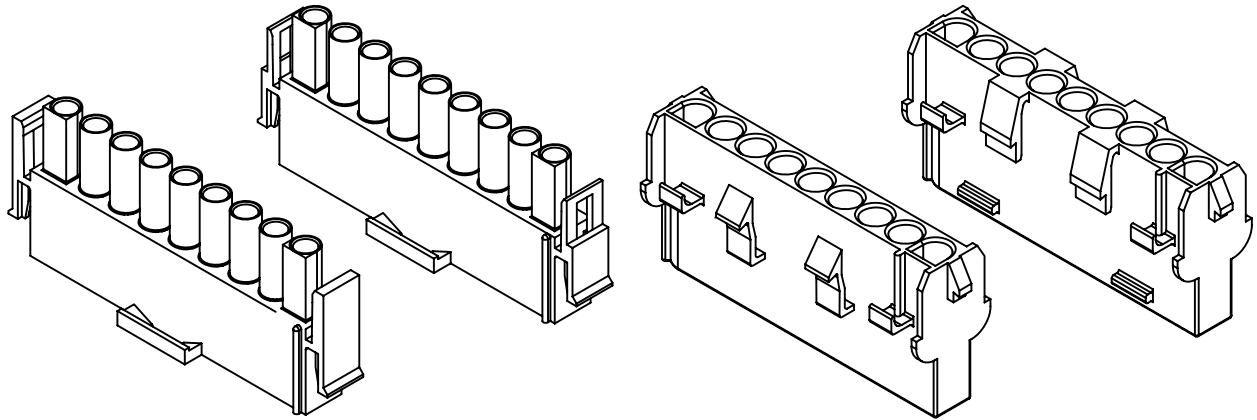
C6351HF<HFA>	C6351HM<HMA>
<p data-bbox="124 976 248 999"><u>C6351HF-6P</u></p>	<p data-bbox="826 976 951 999"><u>C6351HM-6P</u></p>
<p data-bbox="124 1525 264 1547"><u>C6351HFA-6P</u></p>	<p data-bbox="826 1525 967 1547"><u>C6351HMA-6P</u></p>



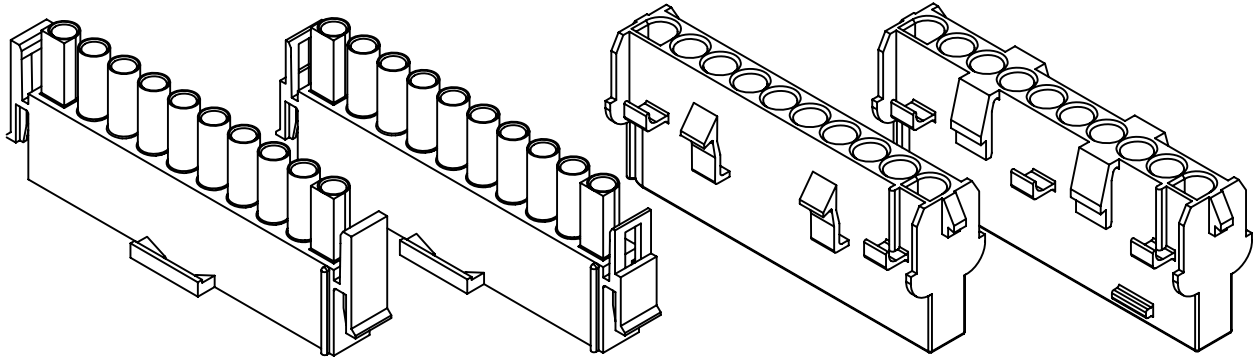
C6351HF<HFA>	C6351HM<HMA>
<p><u>C6351HF-7P</u></p>	<p><u>C6351HM-7P</u></p>
<p><u>C6351HFA-7P</u></p>	<p><u>C6351HMA-7P</u></p>



C6351HF<HFA>	C6351HM<HMA>
<p data-bbox="124 748 248 770"><u>C6351HF-8P</u></p> 	<p data-bbox="826 748 951 770"><u>C6351HM-8P</u></p> 
<p data-bbox="124 1408 261 1431"><u>C6351HFA-8P</u></p> 	<p data-bbox="826 1408 963 1431"><u>C6351HMA-8P</u></p> 



C6351HF<HFA>	C6351HM<HMA>
<p><u>C6351HF-9P</u></p>	<p><u>C6351HM-9P</u></p>
<p><u>C6351HFA-9P</u></p>	<p><u>C6351HMA-9P</u></p>



C6351HF<HFA>	C6351HM<HMA>
<p><u>C6351HF-10P</u></p>	<p><u>C6351HM-10P</u></p>
<p><u>C6351HFA-10P</u></p>	<p><u>C6351HMA-10P</u></p>

C6351H-3

6.35mm pitch Triple Row Housing

Reference Informations:

- *Material:Nylon 66,UL94V-2 or UL94V-0
- *C6351HF/HM-3xXP Suitable CJT C6351F-T(-H/-L) or C6351M-T(-H/-L) or C6351MA-T(-H/-L) series Terminal
- *Mates with CJT C6351 series triple row Housing or C6351 series triple row Wafer
- *Color:Natural

Ordering Information:

- C6351HF<HFA>-3xXP - ***
- | | |
|---|---|
| 1 | 2 |
|---|---|
- 1.Part No.
 - 2.Material:
(blank):Nylon 66,UL94V-2/Natural
V0:Nylon 66,UL94V-0/White
GWT:Nylon 66,UL94V-0,GWT 750°C

Ordering Information:

- C6351HM-3xXP - ***
- | | |
|---|---|
| 1 | 2 |
|---|---|
- 1.Part No.
 - 2.Material:
(blank):Nylon 66,UL94V-2/Natural
V0:Nylon 66,UL94V-0/White
GWT:Nylon 66,UL94V-0,GWT 750°C

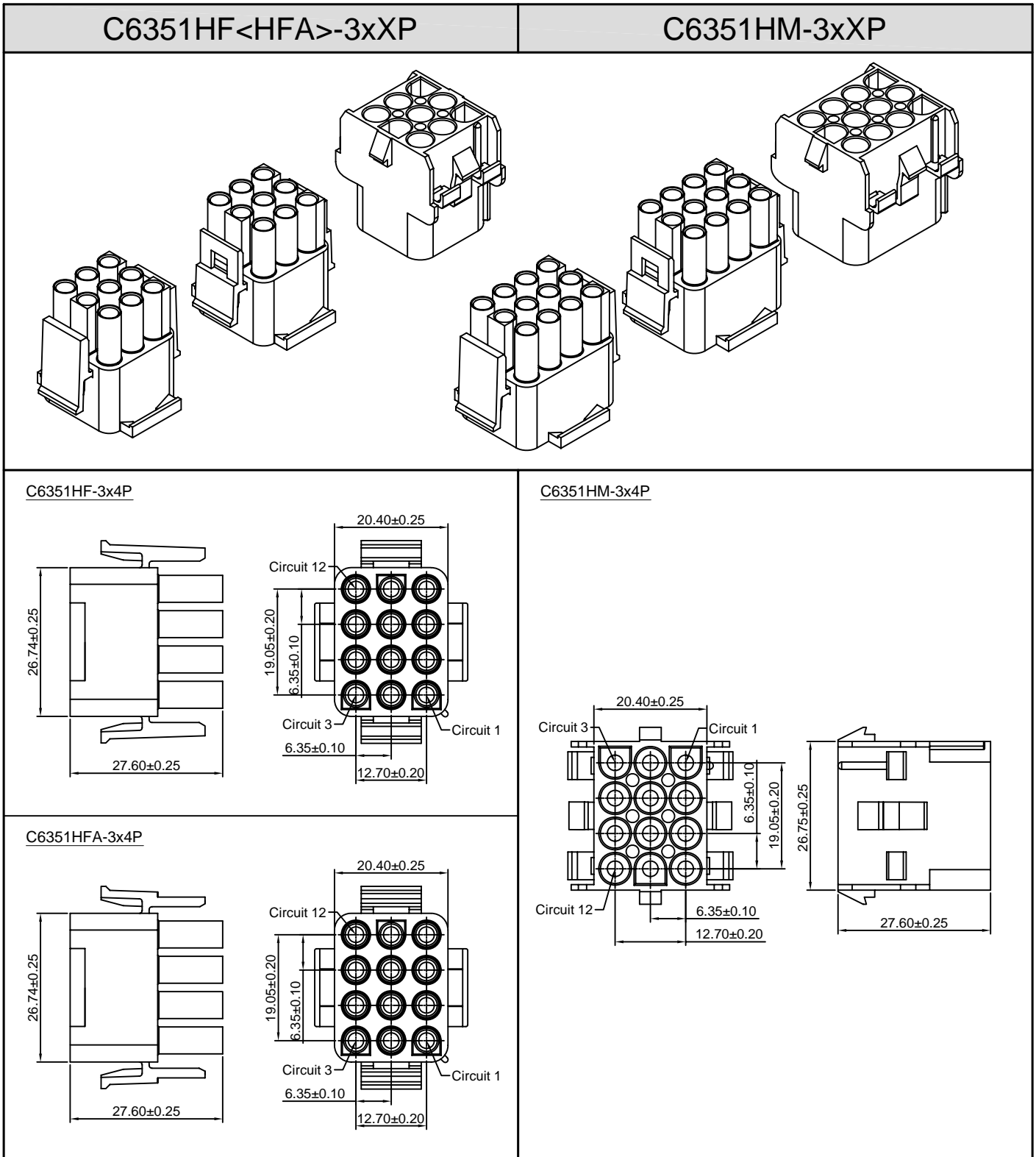
C6351HF<HFA>-3xXP	C6351HM-3xXP
<p><u>C6351HF-3x2P</u></p>	<p><u>C6351HM-3x2P</u></p>
<p><u>C6351HFA-3x2P</u></p>	<p><u>C6351HM-3x3P</u></p>
<p><u>C6351HF-3x3P</u></p>	<p><u>C6351HFA-3x3P</u></p>

C6351H-3

6.35mm pitch Triple Row Housing

Reference Informations:

- *Material: Nylon 66, UL94V-2 or UL94V-0
- *C6351HF/HM-3xXP Suitable CJT C6351F-T(-H/-L) or C6351M-T(-H/-L) or C6351MA-T(-H/-L) series Terminal
- *Mates with CJT C6351 series triple row Housing or C6351 series triple row Wafer
- *Color: Natural

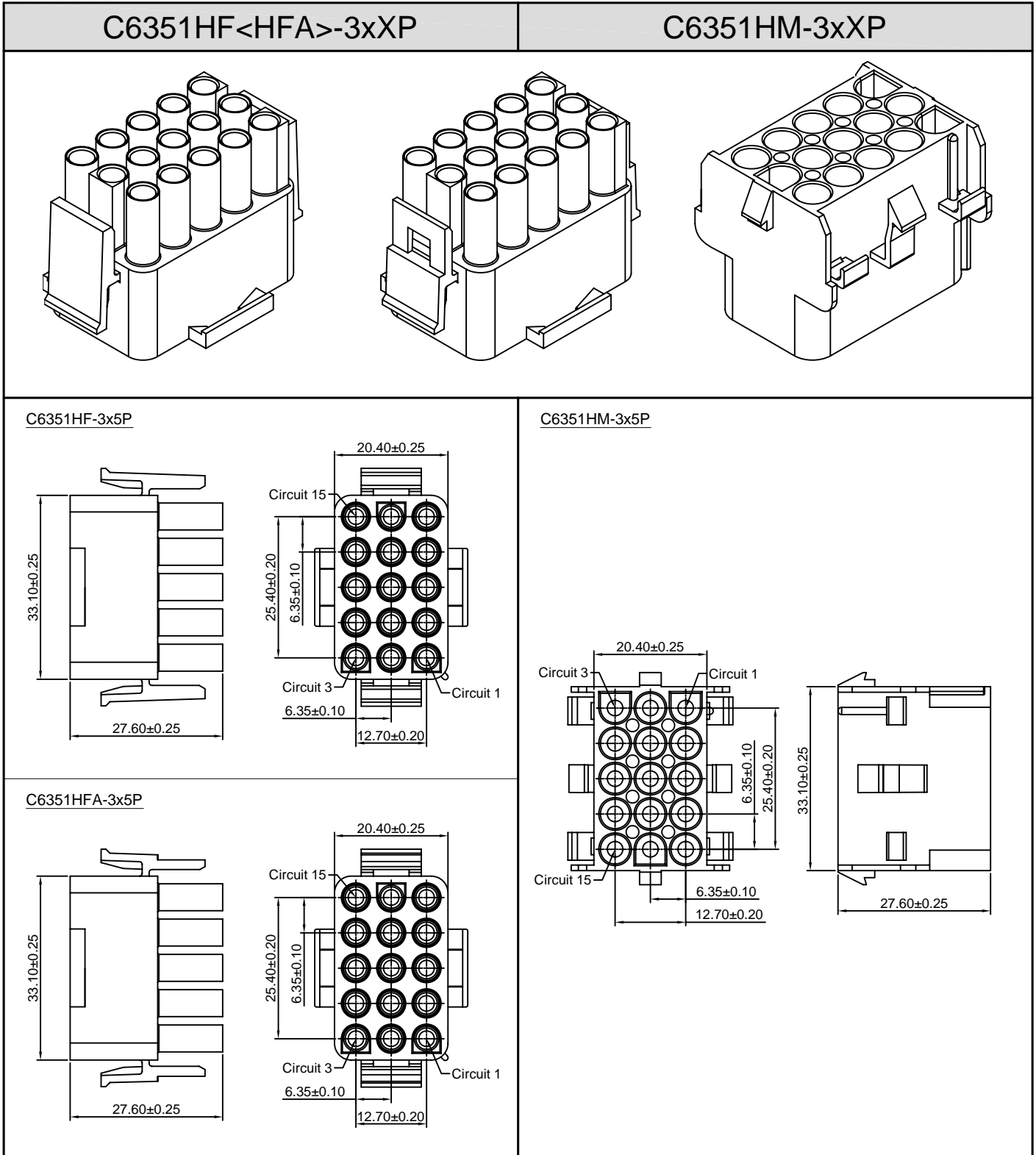


C6351H-3

6.35mm pitch Triple Row Housing

Reference Informations:

- *Material: Nylon 66, UL94V-2 or UL94V-0
- *C6351HF/HM-3xXP Suitable CJT C6351F-T(-H/-L) or C6351M-T(-H/-L) or C6351MA-T(-H/-L) series Terminal
- *Mates with CJT C6351 series triple row Housing or C6351 series triple row Wafer
- *Color: Natural

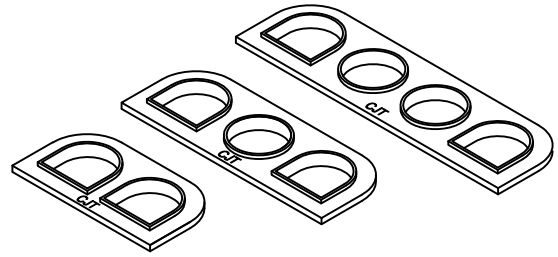
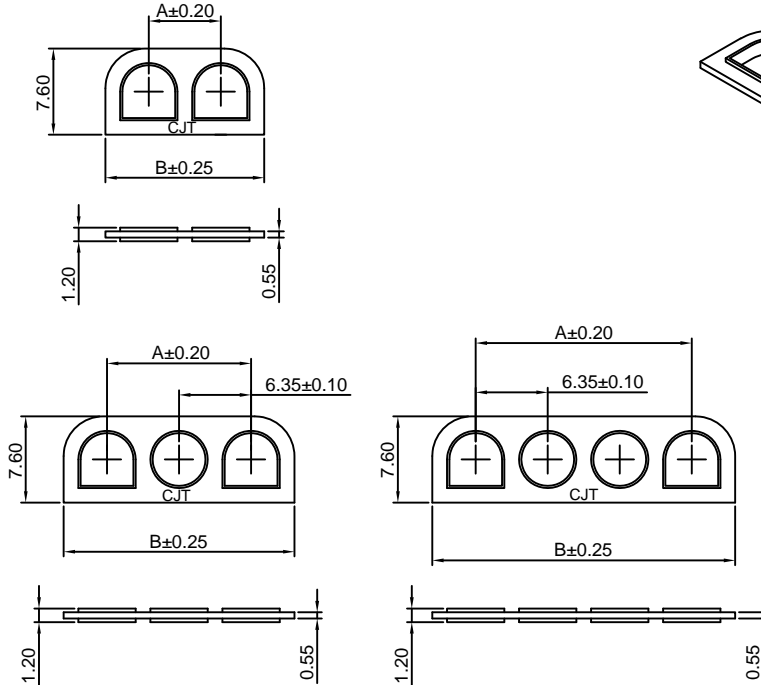


C6351HFI-XP

6.35mm Pitch Interface Seal

Reference Informations:

- *Material:Silicone rubber
- *Used in CJT C6351HF/HFA series single row Housing
- *Color:Blue



Technical Requirements:

- *2.79mm-3.30mm insulation diameter passed European IP sealing level #5/7(swirling dust/immersion to 1 meter for 30 minutes)
- *1.52mm-2.79mm insulation diameter passed European IP sealing level #5/6(swirling dust/heavy seas)
- *Wire AWG range is #20-14 with insulation diameter range 1.52mm-3.3mm

Ordering Information & Dimensions:

PART NO.	Dimensions	
	A	B
2P	6.35	14.00
3P	12.70	20.35
4P	19.05	26.70
5P	25.40	33.05

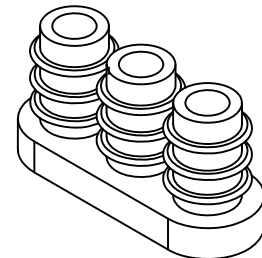
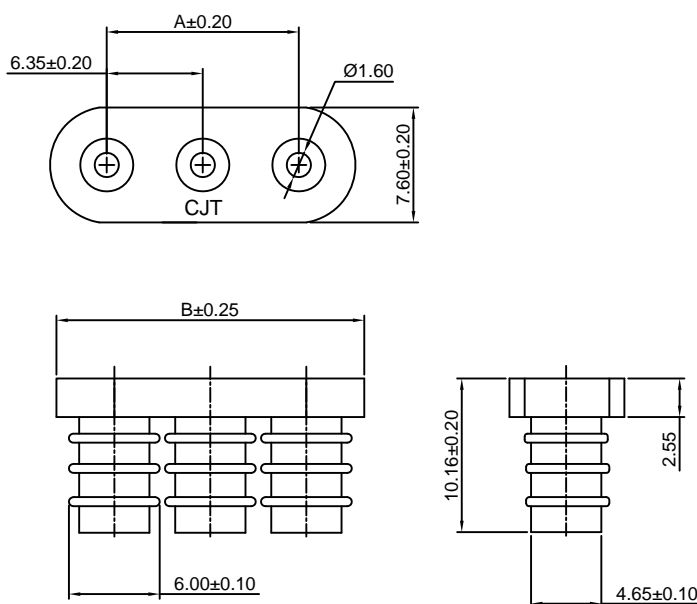
Unit: mm

C6351S-XP

6.35mm Pitch Wire Seal

Reference Informations:

- *Material:Silicone rubber
- *Used in CJT C6351HF/HFA or C6351HM/HMA series single row Housing
- *Color:Blue



Technical Requirements:

- *2.79mm-3.30mm insulation diameter passed European IP sealing level #5/7(swirling dust/immersion to 1 meter for 30 minutes)
- *1.52mm-2.79mm insulation diameter passed European IP sealing level #5/6(swirling dust/heavy seas)
- *Wire AWG range is #20-14 with insulation diameter range 1.52mm-3.3mm

Ordering Information & Dimensions:

PART NO.	Dimensions	
	A	B
2P	6.35	14.00
3P	12.70	20.35
4P	19.05	26.70
5P	25.40	33.05

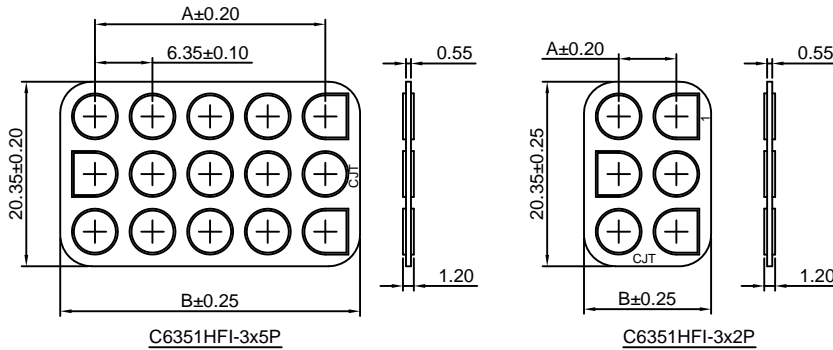
Unit: mm

C6351HFI-3xXP

6.35mm Pitch Interface Seal

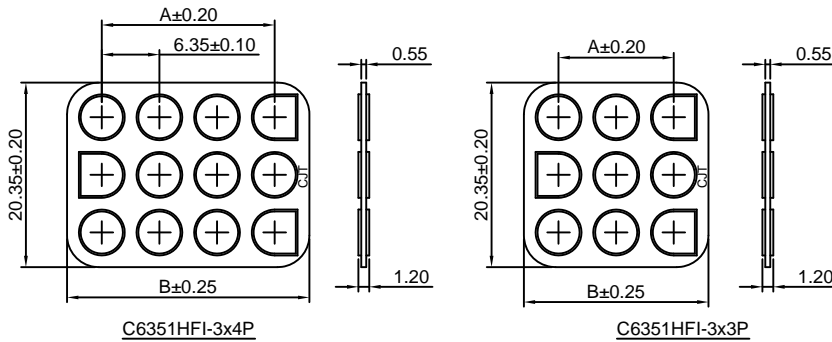
Reference Informations:

- *Material:Silicone rubber
- *Used in CJT C6351HF/HFA series triple row Housing
- *Color:Blue



Technical Requirements:

- *2.79mm-3.30mm insulation diameter passed European IP sealing level #5/7(swirling dust/immersion to 1 meter for 30 minutes)
- *1.52mm-2.79mm insulation diameter passed European IP sealing level #5/6(swirling dust/heavy seas)
- *Wire AWG range is #20-14 with insulation diameter range 1.52mm-3.3mm



Ordering Information & Dimensions:

PART NO.	Dimensions	
	A	B
3x2P	6.35	14.00
3x3P	12.70	20.35
3x4P	19.05	26.70
3x5P	25.40	33.05

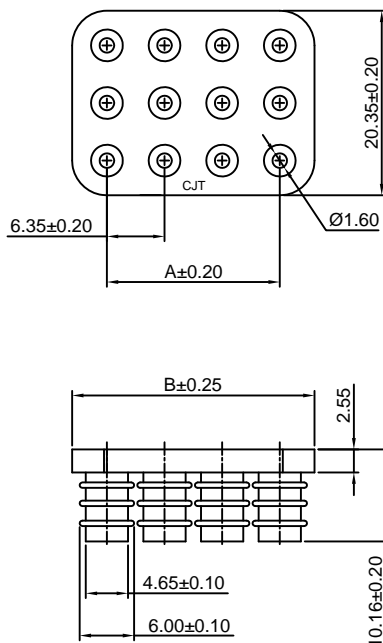
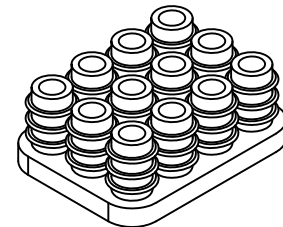
Unit: mm

C6351S-3xXP

6.35mm Pitch Wire Seal

Reference Informations:

- *Material:Silicone rubber
- *Used in CJT C6351HF/HFA or C6351HM series triple row Housing
- *Color:Blue



Technical Requirements:

- *2.79mm-3.30mm insulation diameter passed European IP sealing level #5/7(swirling dust/immersion to 1 meter for 30 minutes)
- *1.52mm-2.79mm insulation diameter passed European IP sealing level #5/6(swirling dust/heavy seas)
- *Wire AWG range is #20-14 with insulation diameter range 1.52mm-3.3mm

Ordering Information & Dimensions:

PART NO.	Dimensions	
	A	B
3x2P	6.35	14.00
3x3P	12.70	20.35
3x4P	19.05	26.70
3x5P	25.40	33.05

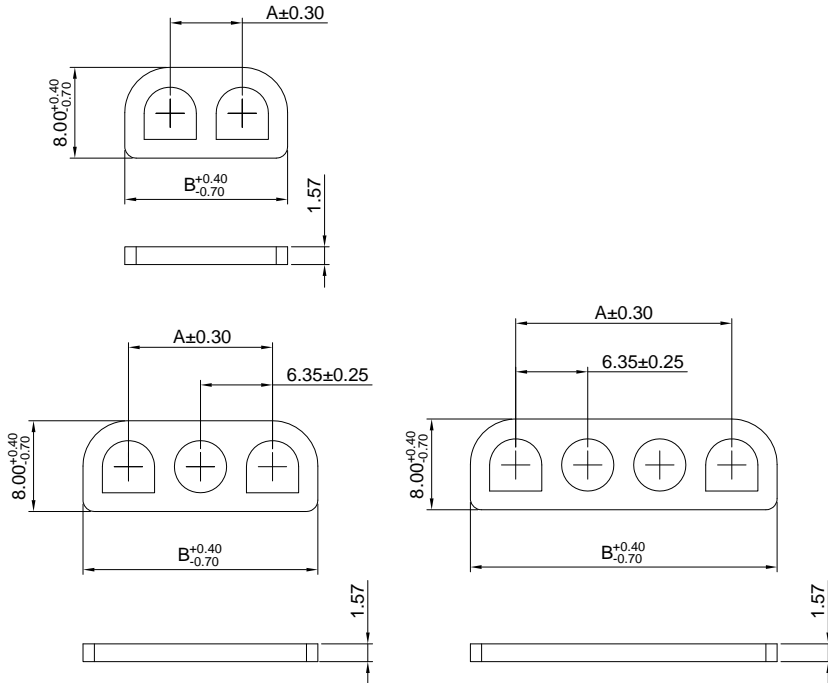
Unit: mm

C6351HFIA-XP

6.35mm Pitch Interface Seal

Reference Informations:

- *Material: Closed cell silicon foam
- *Used in CJT C6351HF/HFA series single row Housing
- *Color: Black



Technical Requirements:

- *2.79mm-3.30mm insulation diameter passed European IP sealing level #5/7 (swirling dust/immersion to 1 meter for 30 minutes)
- *1.52mm-2.79mm insulation diameter passed European IP sealing level #5/6 (swirling dust/heavy seas)
- *Wire AWG range is #20-14 with insulation diameter range 1.52mm-3.3mm

Ordering Information & Dimensions:

PART NO.	Dimensions	
	A	B
2P	6.35	14.35
3P	12.70	20.70
4P	19.05	27.05
5P	25.40	33.40

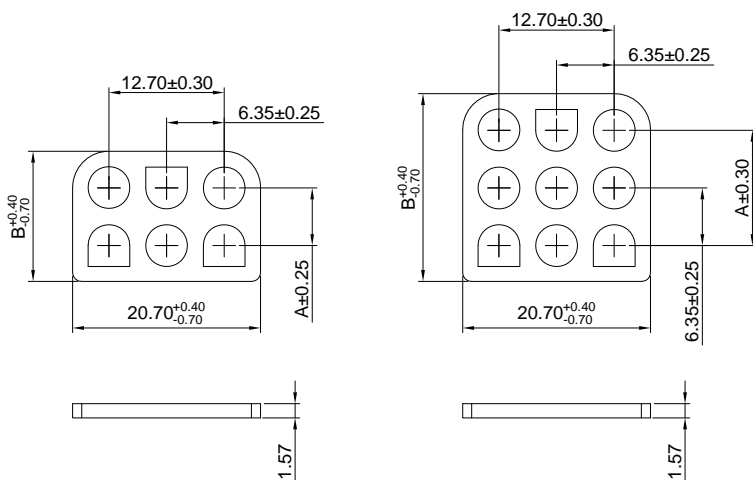
Unit: mm

C6351HFIA-3xXP

6.35mm Pitch Interface Seal

Reference Informations:

- *Material: Closed cell silicon foam
- *Used in CJT C6351HF/HFA series triple row Housing
- *Color: Black



Technical Requirements:

- *2.79mm-3.30mm insulation diameter passed European IP sealing level #5/7 (swirling dust/immersion to 1 meter for 30 minutes)
- *1.52mm-2.79mm insulation diameter passed European IP sealing level #5/6 (swirling dust/heavy seas)
- *Wire AWG range is #20-14 with insulation diameter range 1.52mm-3.3mm

Ordering Information & Dimensions:

PART NO.	Dimensions	
	A	B
3x2P	6.35	14.35
3x3P	12.70	20.70
3x4P	19.05	27.05
3x5P	25.40	33.40

Unit: mm

C6351WV-XP-M

6.35mm pitch 180° Single Row Wafer-MALE TYPE

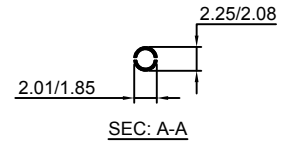
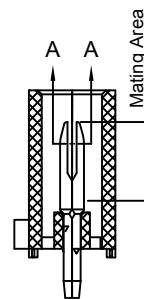
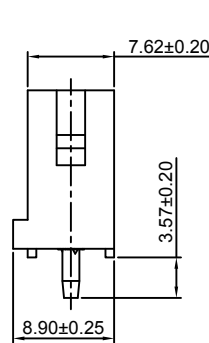
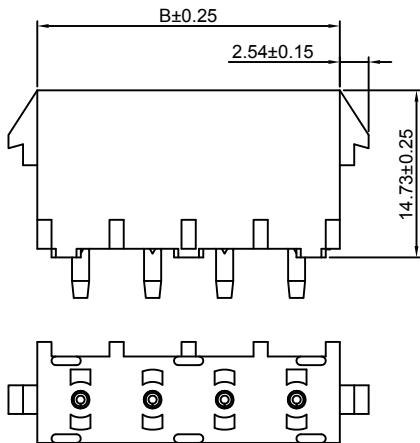
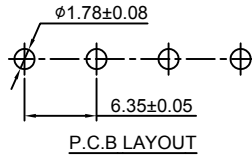
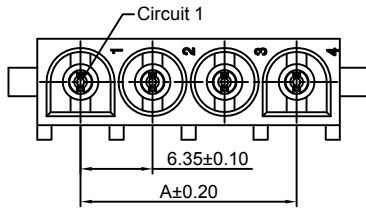
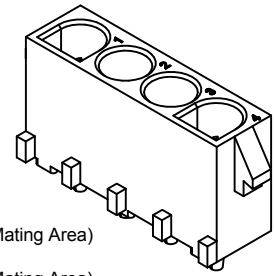
Reference Informations:

- *Material: Pin: Brass/Tin over Nickel
Insulator: Nylon 66, UL94V-2 or UL94V-0
- *Mates with CJT C6351HF/HFA series single row Housing
- *Color: Natural

Ordering Information:

C6351WV-XP-M - *** - ***
1 2 3

- Part No.
- Material:
(blank): Nylon 66, UL94V-2/Natural
V0: Nylon 66, UL94V-0/White
GWT: Nylon 66, UL94V-0, GWT 750°C
- Finish
(blank): Tin over Nickel
G: Gold-flash
G15: 15µm (0.38µm) MIN. Select Gold (Mating Area)
100µm (2.54µm) MIN. Select Tin
G30: 30µm (0.76µm) MIN. Select Gold (Mating Area)
100µm (2.54µm) MIN. Select Tin



Ordering Information & Dimensions:

PART NO.	Dimensions	
	A	B
2P	6.35	13.97
3P	12.70	20.32
4P	19.05	26.67
5P	25.40	33.02
6P	31.75	39.37
7P	38.10	45.72
8P	44.45	52.07
9P	50.80	58.42
10P	57.15	64.77

Unit: mm

C6351WV-XP-F

6.35mm pitch 180° Single Row Wafer-Female Type

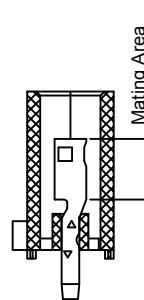
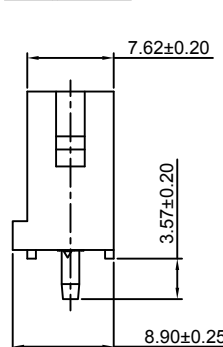
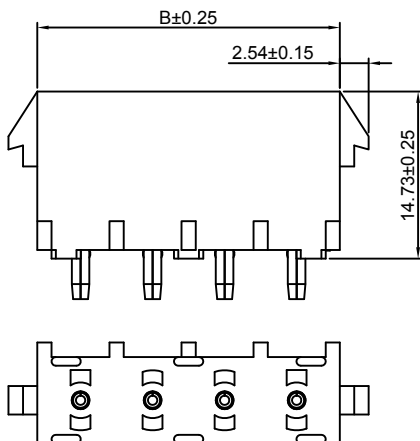
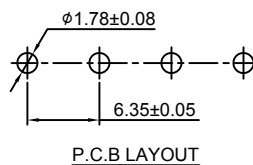
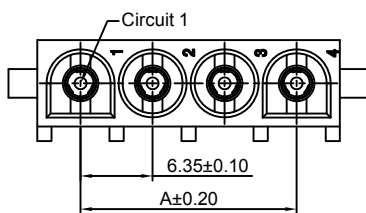
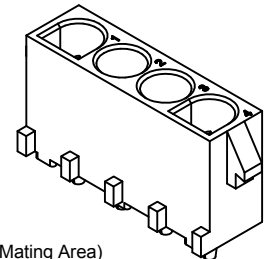
Reference Informations:

- *Material: Pin: Brass/Tin over Nickel
Insulator: Nylon 66, UL94V-2 or UL94V-0
- *Mates with CJT C6351HF/HFA series single row Housing
- *Color: Natural

Ordering Information:

C6351WV-XP-F - *** - ***
1 2 3

- Part No.
- Material:
(blank): Nylon 66, UL94V-2/Natural
V0: Nylon 66, UL94V-0/White
GWT: Nylon 66, UL94V-0, GWT 750°C
- Finish
(blank): Tin over Nickel
G: Gold-flash
G15: 15µm (0.38µm) MIN. Select Gold (Mating Area)
100µm (2.54µm) MIN. Select Tin
G30: 30µm (0.76µm) MIN. Select Gold (Mating Area)
100µm (2.54µm) MIN. Select Tin



Ordering Information & Dimensions:

PART NO.	Dimensions	
	A	B
2P	6.35	13.97
3P	12.70	20.32
4P	19.05	26.67
5P	25.40	33.02
6P	31.75	39.37
7P	38.10	45.72
8P	44.45	52.07
9P	50.80	58.42
10P	57.15	64.77

Unit: mm

C6351WV-XP-RA

6.35mm pitch 180° Single Row Wafer, Round Pin-MALE TYPE

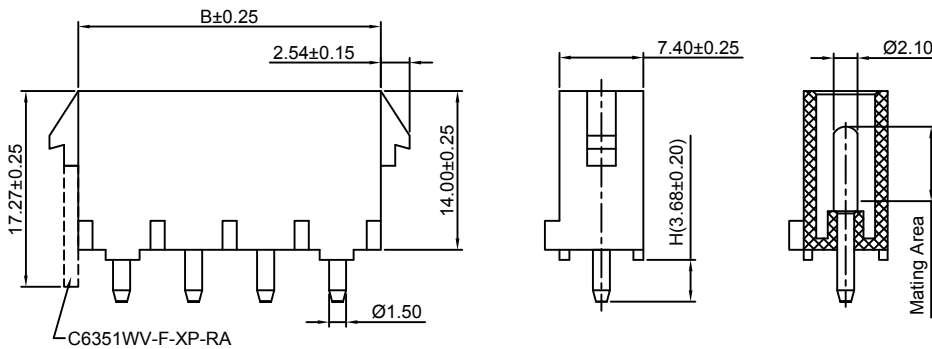
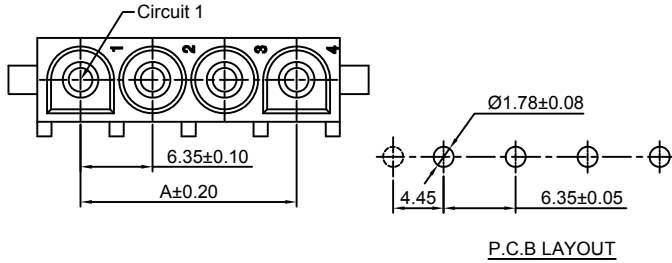
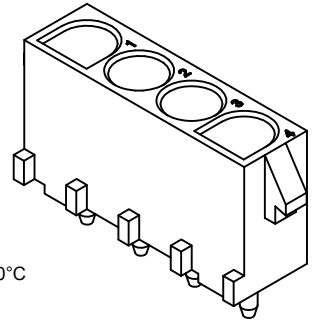
Reference Informations:

- *Material: Pin: Brass/Silver over Nickel
Insulator: Nylon 66, UL94V-0
- *Mates with CJT C6351HF/HFA series single row Housing
- *Color: White

Ordering Information:

C6351WV(-F)-XP-RA - ** - *** - ****
1 2 3 4

1. Part No.
2. Size(H):
(blank): 3.68mm
H1: 7.62mm
H2: 4.30mm
H3: 7.00mm
H4: 5.20mm
3. Material:
(blank): Nylon 66, UL94V-0/White
GWT: Nylon 66, UL94V-0, GWT 750°C
4. Finish
(blank): Silver over Nickel
G: Gold-flash
G15: 15µin (0.38µm) MIN. Select Gold (Mating Area)
100µin (2.54µm) MIN. Select Tin
G30: 30µin (0.76µm) MIN. Select Gold (Mating Area)
100µin (2.54µm) MIN. Select Tin



Ordering Information & Dimensions:

PART NO.	Dimensions	
	A	B
2P	6.35	13.97
3P	12.70	20.32
4P	19.05	26.67
5P	25.40	33.02
6P	31.75	39.37
7P	38.10	45.72
8P	44.45	52.07
9P	50.80	58.42
10P	57.15	64.77

Unit: mm

C6351WV-F-XP-M

6.35mm pitch 180° Single Row Wafer Polarizing Peg-MALE TYPE

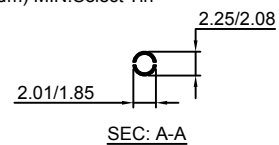
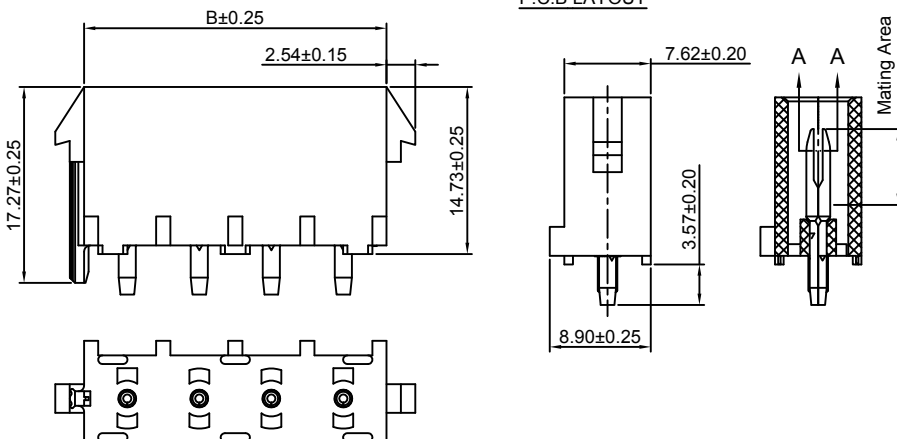
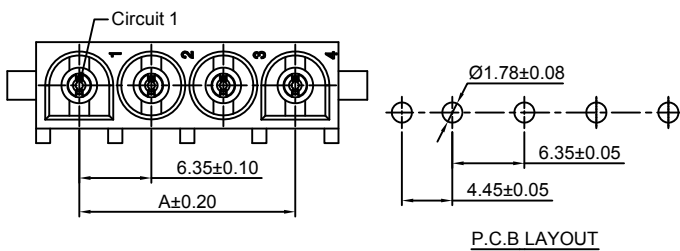
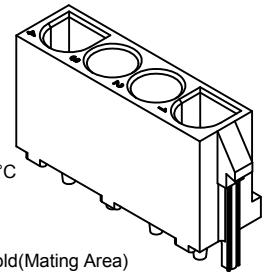
Reference Informations:

- *Material: Pin: Brass/Tin over Nickel
Insulator: Nylon 66, UL94V-2 or UL94V-0
- *Mates with CJT C6351HF/HFA series single row Housing
- *Color: Natural

Ordering Information:

C6351WV-F-XP-M - *** - ****
1 2 3

1. Part No.
2. Material:
(blank): Nylon 66, UL94V-2/Natural
V0: Nylon 66, UL94V-0/White
GWT: Nylon 66, UL94V-0, GWT 750°C
3. Finish
(blank): Tin over Nickel
G: Gold-flash
G15: 15µin (0.38µm) MIN. Select Gold (Mating Area)
100µin (2.54µm) MIN. Select Tin
G30: 30µin (0.76µm) MIN. Select Gold (Mating Area)
100µin (2.54µm) MIN. Select Tin



Ordering Information & Dimensions:

PART NO.	Dimensions	
	A	B
2P	6.35	13.97
3P	12.70	20.32
4P	19.05	26.67
5P	25.40	33.02
6P	31.75	39.37
7P	38.10	45.72
8P	44.45	52.07
9P	50.80	58.42
10P	57.15	64.77

Unit: mm

C6351WV-F-XP-F

6.35mm pitch 180° Single Row Wafer with Polarizing Peg-Female Type

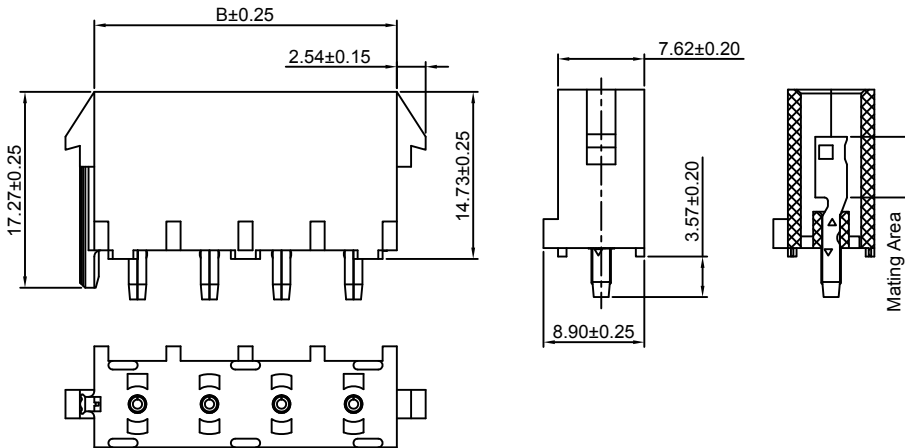
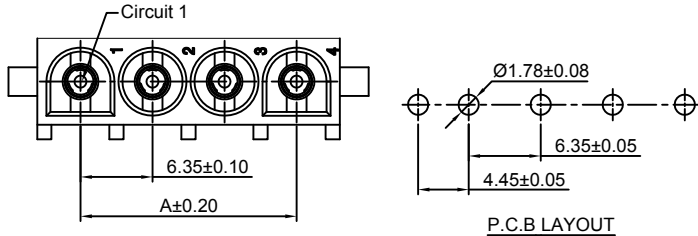
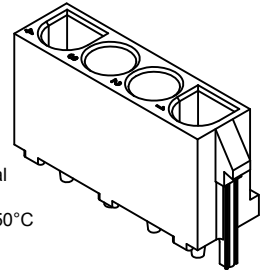
Reference Informations:

- *Material: Pin: Brass/Tin over Nickel
Insulator: Nylon 66, UL94V-2 or UL94V-0
- *Mates with CJT C6351HF/HFA series single row Housing
- *Color: Natural

Ordering Information:

C6351WV-F-XP-F - *** - ***
1 2 3

- Part No.
- Material:
(blank): Nylon 66, UL94V-2/Natural
V0: Nylon 66, UL94V-0/White
GWT: Nylon 66, UL94V-0, GWT 750°C
- Finish
(blank): Tin over Nickel
G: Gold-flash
G15: 15µin (0.38µm) MIN. Select Gold (Mating Area)
100µin (2.54µm) MIN. Select Tin
G30: 30µin (0.76µm) MIN. Select Gold (Mating Area)
100µin (2.54µm) MIN. Select Tin



Ordering Information & Dimensions:

PART NO.	Dimensions	
	A	B
2P	6.35	13.97
3P	12.70	20.32
4P	19.05	26.67
5P	25.40	33.02
6P	31.75	39.37
7P	38.10	45.72
8P	44.45	52.07
9P	50.80	58.42
10P	57.15	64.77

Unit: mm

C6351WV-3xXP-M

6.35mm pitch 180° Triple Row Wafer-MALE TYPE

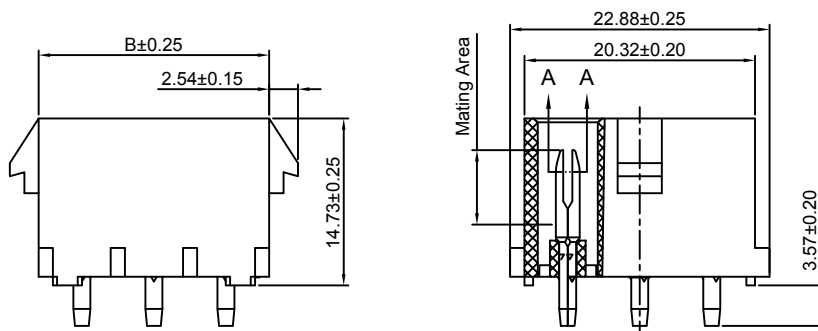
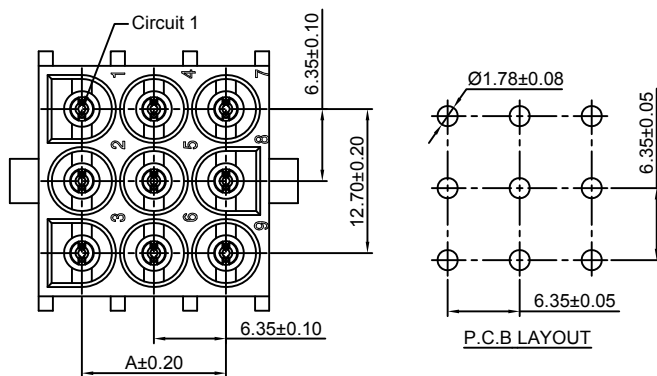
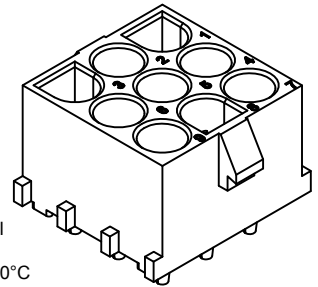
Reference Informations:

- *Material: Pin: Brass/Tin over Nickel
Insulator: Nylon 66, UL94V-2 or UL94V-0
- *Mates with CJT C6351HF/HFA series triple row Housing
- *Color: Natural

Ordering Information:

C6351WV-3xXP-M - *** - ***
1 2 3

- Part No.
- Material:
(blank): Nylon 66, UL94V-2/Natural
V0: Nylon 66, UL94V-0/White
GWT: Nylon 66, UL94V-0, GWT 750°C
- Finish
(blank): Tin over Nickel
G: Gold-flash
G15: 15µin (0.38µm) MIN. Select Gold (Mating Area)
100µin (2.54µm) MIN. Select Tin
G30: 30µin (0.76µm) MIN. Select Gold (Mating Area)
100µin (2.54µm) MIN. Select Tin



Ordering Information & Dimensions:

PART NO.	Dimensions	
	A	B
3x2P	6.35	13.97
3x3P	12.70	20.32
3x4P	19.05	26.67
3x5P	25.40	33.02

Unit: mm

C6351WV-3xXP-F

6.35mm pitch 180° Triple Row Wafer-Female Type

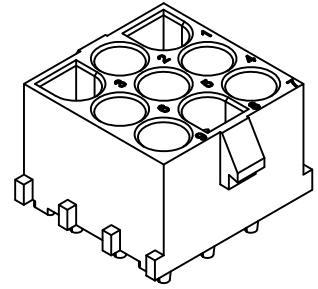
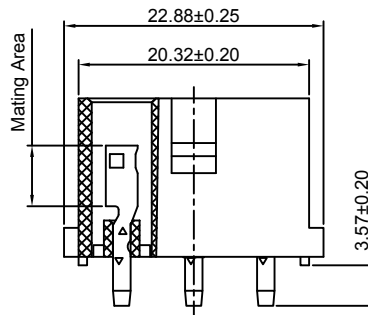
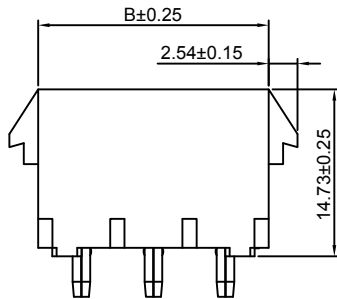
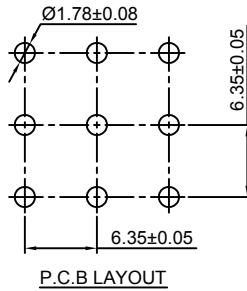
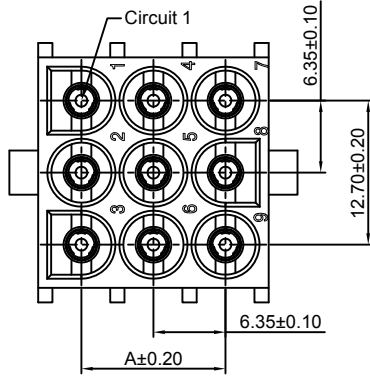
Reference Informations:

- *Material: Pin: Brass/Tin over Nickel
Insulator: Nylon 66, UL94V-2 or UL94V-0
- *Mates with CJT C6351HF/HFA series triple row Housing
- *Color: Natural

Ordering Information:

C6351WV-3xXP-F - *** - ***
1 2 3

1. Part No.
2. Material:
(blank): Nylon 66, UL94V-2/Natural
V0: Nylon 66, UL94V-0/White
GWT: Nylon 66, UL94V-0, GWT 750°C
3. Finish
(blank): Tin over Nickel
G: Gold-flash
G15: 15µin (0.38µm) MIN. Select Gold (Mating Area)
100µin (2.54µm) MIN. Select Tin
G30: 30µin (0.76µm) MIN. Select Gold (Mating Area)
100µin (2.54µm) MIN. Select Tin



Ordering Information & Dimensions:

PART NO.	Dimensions	
	A	B
3x2P	6.35	13.97
3x3P	12.70	20.32
3x4P	19.05	26.67
3x5P	25.40	33.02

Unit: mm

C6351WV-3xXP-RA

6.35mm pitch 180° Triple Row Wafer, Round Pin-Male Type

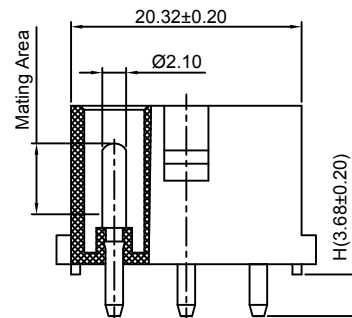
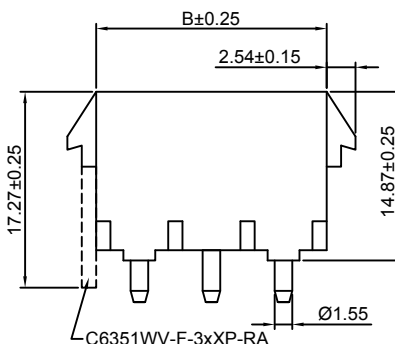
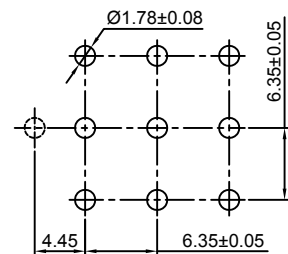
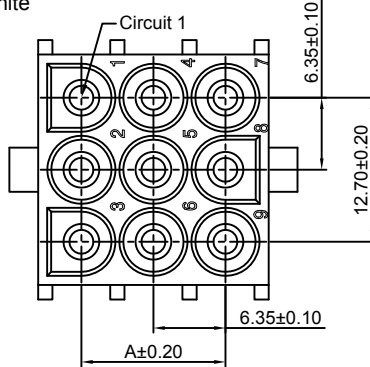
Reference Informations:

- *Material: Pin: Brass/Silver over Nickel
Insulator: Nylon 66, UL94V-0
- *Mates with CJT C6351HF/HFA series triple row Housing
- *Color: White

Ordering Information:

C6351WV(-F)-3xXP-RA - ** - *** - ***
1 2 3 4

1. Part No.
2. Size(H):
(blank): 3.68mm
H1: 7.62mm
H2: 4.30mm
H3: 7.00mm
H4: 5.20mm
3. Material:
(blank): Nylon 66, UL94V-0/White
GWT: Nylon 66, UL94V-0, GWT 750°C
4. Finish
(blank): Silver over Nickel
G: Gold-flash
G15: 15µin (0.38µm) MIN. Select Gold (Mating Area)
100µin (2.54µm) MIN. Select Tin
G30: 30µin (0.76µm) MIN. Select Gold (Mating Area)
100µin (2.54µm) MIN. Select Tin



P.C.B LAYOUT

Ordering Information & Dimensions:

PART NO.	Dimensions	
	A	B
3x2P	6.35	13.97
3x3P	12.70	20.32
3x4P	19.05	26.67
3x5P	25.40	33.02

Unit: mm

C6351WV-F-3xXP-M

6.35mm pitch 180° Triple Row Wafer Polarizing Peg-Male Type

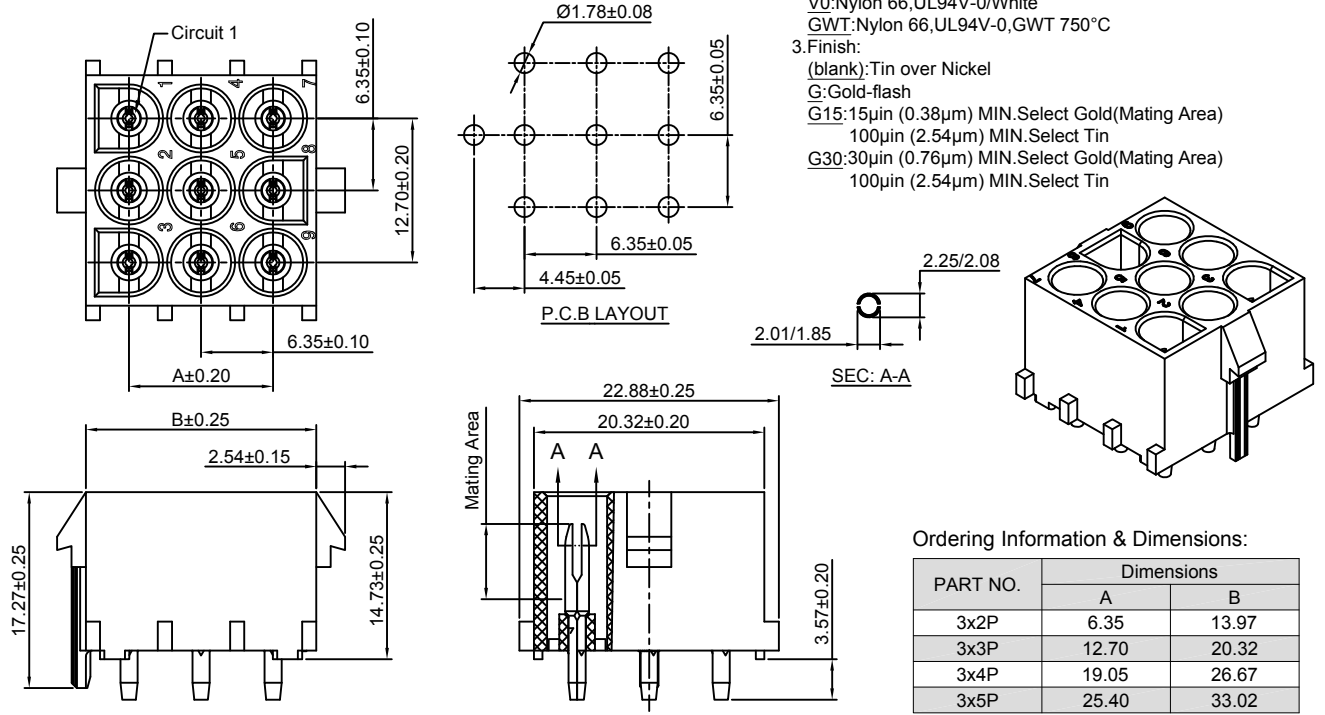
Reference Informations:

- *Material: Pin: Brass/Tin over Nickel
Insulator: Nylon 66, UL94V-2 or UL94V-0
- *Mates with CJT C6351HF/HFA series triple row Housing
- *Color: Natural

Ordering Information:

C6351WV-F-3xXP-M - *** - ***
1 2 3

1. Part No.
2. Material:
(blank): Nylon 66, UL94V-2/Natural
V0: Nylon 66, UL94V-0/White
GWT: Nylon 66, UL94V-0, GWT 750°C
3. Finish:
(blank): Tin over Nickel
G: Gold-flash
G15: 15µin (0.38µm) MIN. Select Gold (Mating Area)
100µin (2.54µm) MIN. Select Tin
G30: 30µin (0.76µm) MIN. Select Gold (Mating Area)
100µin (2.54µm) MIN. Select Tin



Ordering Information & Dimensions:

PART NO.	Dimensions	
	A	B
3x2P	6.35	13.97
3x3P	12.70	20.32
3x4P	19.05	26.67
3x5P	25.40	33.02

Unit: mm

C6351WV-F-3xXP-F

6.35mm pitch 180° Triple Row Wafer with Polarizing Peg-Female Type

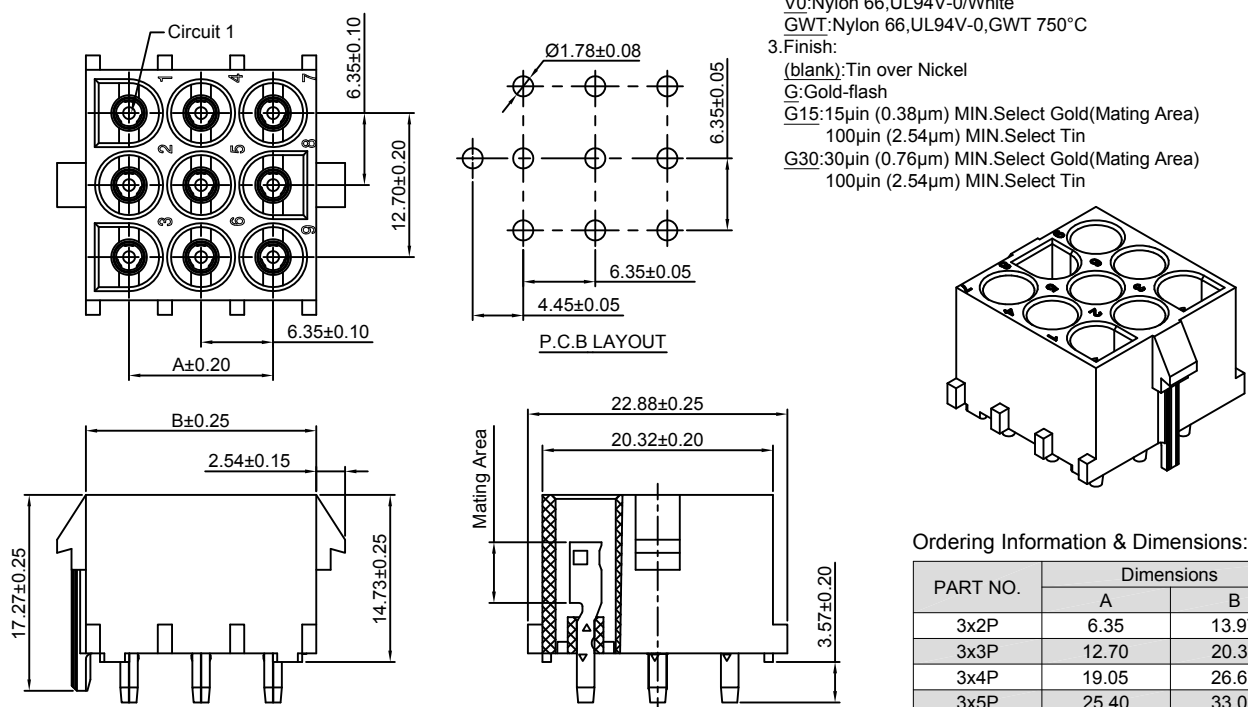
Reference Informations:

- *Material: Pin: Brass/Tin over Nickel
Insulator: Nylon 66, UL94V-2 or UL94V-0
- *Mates with CJT C6351HF/HFA series triple row Housing
- *Color: Natural

Ordering Information:

C6351WV-F-3xXP-F - *** - ***
1 2 3

1. Part No.
2. Material:
(blank): Nylon 66, UL94V-2/Natural
V0: Nylon 66, UL94V-0/White
GWT: Nylon 66, UL94V-0, GWT 750°C
3. Finish:
(blank): Tin over Nickel
G: Gold-flash
G15: 15µin (0.38µm) MIN. Select Gold (Mating Area)
100µin (2.54µm) MIN. Select Tin
G30: 30µin (0.76µm) MIN. Select Gold (Mating Area)
100µin (2.54µm) MIN. Select Tin



Ordering Information & Dimensions:

PART NO.	Dimensions	
	A	B
3x2P	6.35	13.97
3x3P	12.70	20.32
3x4P	19.05	26.67
3x5P	25.40	33.02

Unit: mm

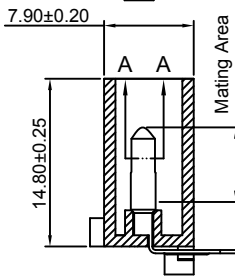
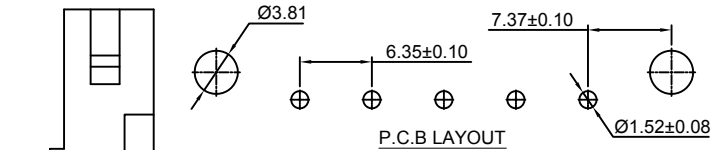
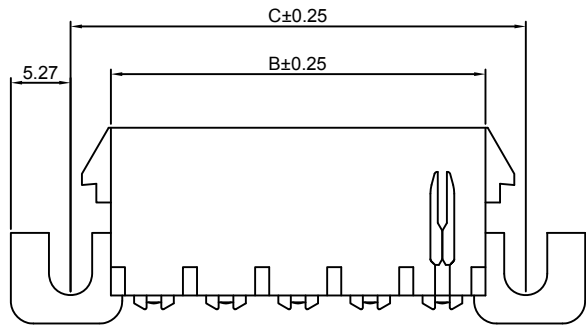
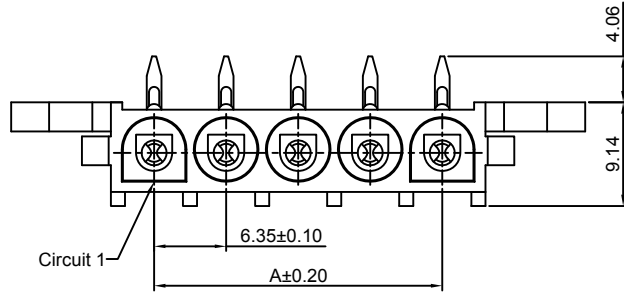
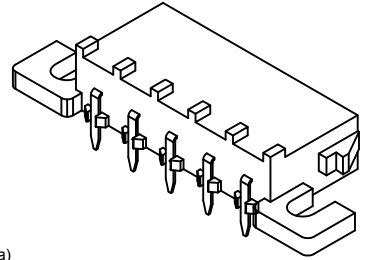
C6351WR-XP-M

6.35mm Pitch 90° Single Row Wafer-Male Type

Reference Informations:

- *Material: Pin: Brass/Tin over Nickel
Insulator: Nylon 66, UL94V-2
- *Mates with CJT C6351HF/HFA series single row Housing
- *Color: Natural

- Ordering Information:
C6351WR-XP-M - *** - ***
1 2 3
- Part No.
 - Material:
(blank): Nylon 66, UL94V-2/Natural
V0: Nylon 66, UL94V-0/White
GWT: Nylon 66, UL94V-0, GWT 750°C
 - Finish:
(blank): Tin over Nickel
G: Gold-flash
G15: 15µin (0.38µm) MIN. Select Gold (Mating Area)
100µin (2.54µm) MIN. Select Tin
G30: 30µin (0.76µm) MIN. Select Gold (Mating Area)
100µin (2.54µm) MIN. Select Tin



Ordering Information & Dimensions:

PART NO.	Dimensions		
	A	B	C
2P	6.35	13.97	21.08
3P	12.70	20.32	27.43
4P	19.05	26.67	33.78
5P	25.40	33.02	40.13
6P	31.75	39.37	46.48
7P	38.10	45.72	52.83
8P	44.45	52.07	59.18
9P	50.80	58.42	65.53
10P	57.15	64.77	71.88

Unit: mm

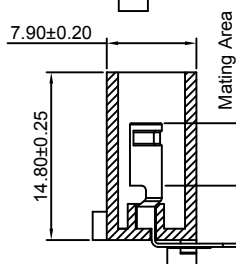
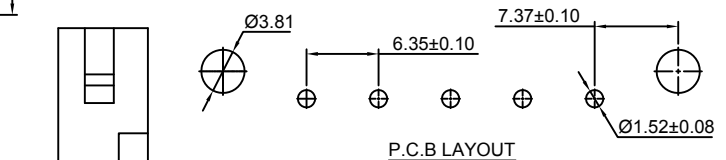
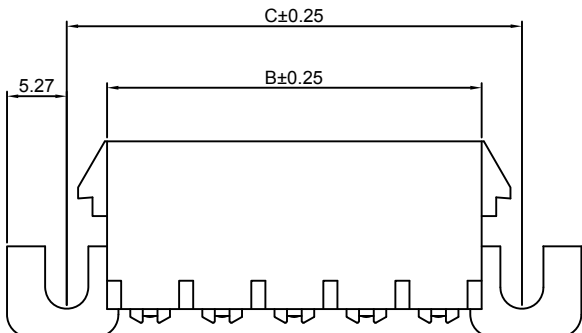
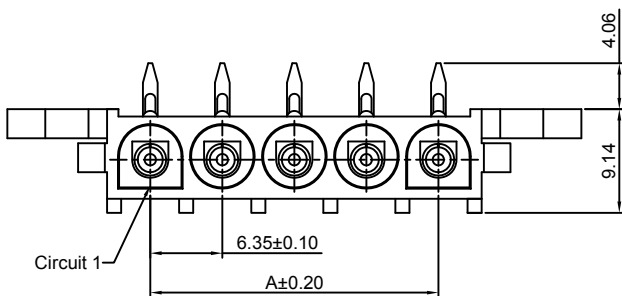
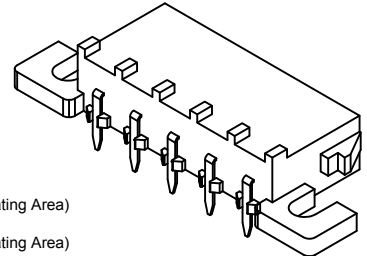
C6351WR-XP-F

6.35mm Pitch 90° Single Row Wafer-Female Type

Reference Informations:

- *Material: Pin: Brass/Tin over Nickel
Insulator: Nylon 66, UL94V-2
- *Mates with CJT C6351HF/HFA series single row Housing
- *Color: Natural

- Ordering Information:
C6351WR-XP-F - *** - ***
1 2 3
- Part No.
 - Material:
(blank): Nylon 66, UL94V-2/Natural
V0: Nylon 66, UL94V-0/White
GWT: Nylon 66, UL94V-0, GWT 750°C
 - Finish:
(blank): Tin over Nickel
G: Gold-flash
G15: 15µin (0.38µm) MIN. Select Gold (Mating Area)
100µin (2.54µm) MIN. Select Tin
G30: 30µin (0.76µm) MIN. Select Gold (Mating Area)
100µin (2.54µm) MIN. Select Tin



Ordering Information & Dimensions:

PART NO.	Dimensions		
	A	B	C
2P	6.35	13.97	21.08
3P	12.70	20.32	27.43
4P	19.05	26.67	33.78
5P	25.40	33.02	40.13
6P	31.75	39.37	46.48
7P	38.10	45.72	52.83
8P	44.45	52.07	59.18
9P	50.80	58.42	65.53
10P	57.15	64.77	71.88

Unit: mm

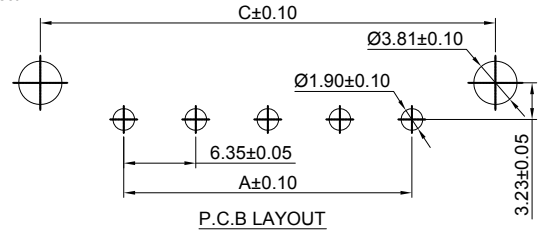
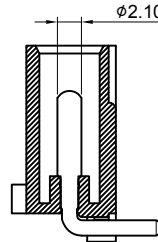
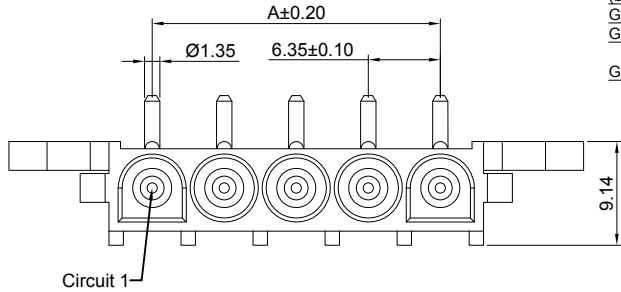
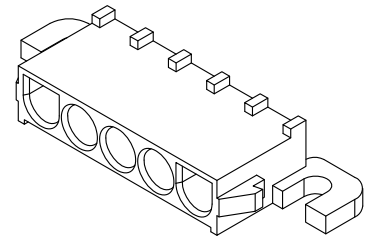
C6351WR-XP-R

6.35mm Pitch 90° Single Row Wafer, Round Pin-Male Type

Reference Informations:

- *Material: Pin: Brass/Tin over Nickel
Insulator: Nylon 66, UL94V-2
- *Mates with CJT C6351HF/HFA series single row Housing
- *Color: Natural

- Ordering Information:
C6351WR-XP-R - *** - ***
1 2 3
1. Part No.
 2. Material:
(blank): Nylon 66, UL94V-2/Natural
V0: Nylon 66, UL94V-0/White
GWT: Nylon 66, UL94V-0, GWT 750°C
 3. Finish:
(blank): Tin over Nickel
G: Gold-flash
G15: 15µm (0.38µm) MIN. Select Gold (Mating Area)
100µm (2.54µm) MIN. Select Tin
G30: 30µm (0.76µm) MIN. Select Gold (Mating Area)
100µm (2.54µm) MIN. Select Tin



Ordering Information & Dimensions:

PART NO.	Dimensions		
	A	B	C
2P	6.35	13.97	21.08
3P	12.70	20.32	27.43
4P	19.05	26.67	33.78
5P	25.40	33.02	40.13
6P	31.75	39.37	46.48
7P	38.10	45.72	52.83
8P	44.45	52.07	59.18
9P	50.80	58.42	65.53
10P	57.15	64.77	71.88

Unit: mm

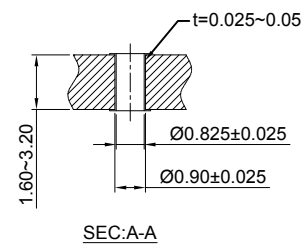
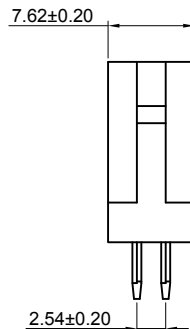
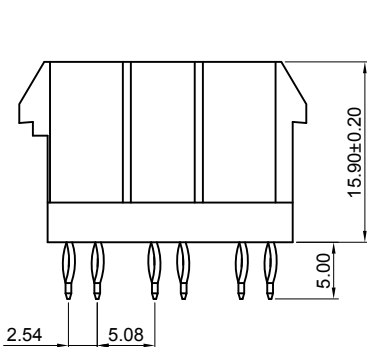
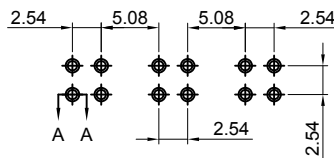
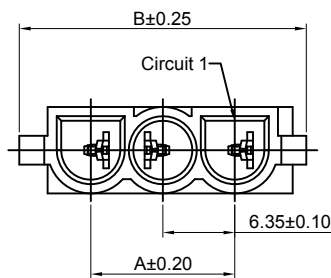
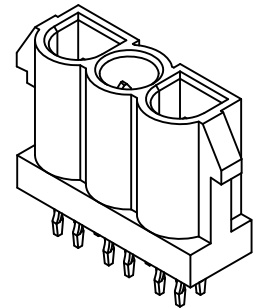
C6351WVB-XP

6.35mm pitch 180° Single Row Wafer

Reference Informations:

- *Material: Pin: Brass/Tin over Nickel
Insulator: PBT, UL94V-0
- *Mates with CJT C6351HF/HFA-2P, 3P series Housing
- *Color: Black

- Ordering Information:
C6351WVB-XP - *** - ***
1 2 3
1. Part No.
 2. Material:
(blank): PBT, UL94V-0
GWT: PBT, UL94V-0, GWT 750°C
 3. Finish:
(blank): Tin over Nickel
G: Gold-flash
G15: 15µm (0.38µm) MIN. Select Gold (Mating Area)
100µm (2.54µm) MIN. Select Tin
G30: 30µm (0.76µm) MIN. Select Gold (Mating Area)
100µm (2.54µm) MIN. Select Tin



Ordering Information & Dimensions:

PART NO.	Dimensions	
	A	B
2P	6.35	18.95
3P	12.70	25.30

Unit: mm