

FEATURES

- Input voltage: 4.5 V to 20 V**
- Integrated MOSFET: 44 mΩ/11 mΩ**
- Reference voltage: 0.6 V ± 1%**
- Continuous output current: 6 A**
- Programmable switching frequency: 200 kHz to 1.4 MHz**
- Synchronizes to external clock: 200 kHz to 1.4 MHz**
- 180° out of phase clock synchronization**
- Precision enable and power good**
- External compensation**
- Internal soft start with external adjustable option**
- Startup into a precharged output**
- Supported by ADIsimPower design tool**

APPLICATIONS

- Communications infrastructure**
- Networking and servers**
- Industrial and instrumentation**
- Healthcare and medical**
- Intermediate power rail conversion**
- DC-to-dc point-of-load applications**

GENERAL DESCRIPTION

The **ADP2386** is a synchronous step-down, dc-to-dc regulator with an integrated 44 mΩ, high-side power MOSFET and an 11 mΩ, synchronous rectifier MOSFET to provide a high efficiency solution in a compact 4 mm × 4 mm LFCSP package. This device uses a peak current mode, constant frequency pulse-width modulation (PWM) control scheme for excellent stability and transient response. The switching frequency of the **ADP2386** can be programmed from 200 kHz to 1.4 MHz. To minimize system noise, the synchronization function allows the switching frequency to be synchronized to an external clock.

The **ADP2386** requires minimal external components and operates from an input voltage of 4.5 V to 20 V. The output voltage can be adjusted from 0.6 V to 90% of the input voltage and delivers up to 6 A of continuous current. Each IC draws less than 110 μA current from the input source when it is disabled.

This regulator targets high performance applications that require high efficiency and design flexibility. External compensation and an adjustable soft start function provide design flexibility. The power-good output and precision enable input provide simple and reliable power sequencing.

TYPICAL APPLICATIONS CIRCUIT

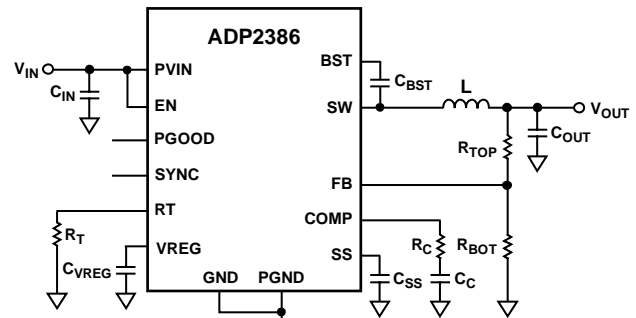
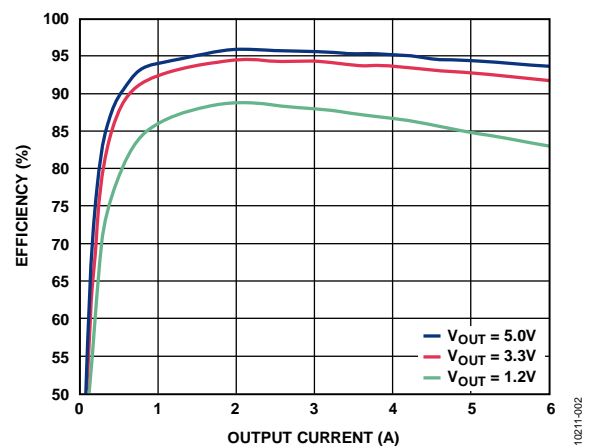


Figure 1.

10211-001

Other key features include undervoltage lockout (UVLO), overvoltage protection (OVP), overcurrent protection (OCP), short-circuit protection (SCP), and thermal shutdown (TSD).

The **ADP2386** operates over the -40°C to $+125^{\circ}\text{C}$ junction temperature range and is available in a 24-lead, 4 mm × 4 mm LFCSP package.


 Figure 2. Efficiency vs. Output Current, $V_{IN} = 12\text{ V}$, $f_{SW} = 300\text{ kHz}$

10211-002

TABLE OF CONTENTS

Features	1	Applications Information	15
Applications.....	1	Input Capacitor Selection.....	15
Typical Applications Circuit.....	1	Output Voltage Setting	15
General Description	1	Voltage Conversion Limitations.....	15
Revision History	2	Inductor Selection	15
Specifications.....	3	Output Capacitor Selection.....	16
Absolute Maximum Ratings.....	5	Programming the Input Voltage UVLO.....	17
Thermal Resistance	5	Compensation Design	17
ESD Caution.....	5	ADIsimPower Design Tool	18
Pin Configuration and Function Descriptions.....	6	Design Example	19
Typical Performance Characteristics	7	Output Voltage Setting (Design Example).....	19
Functional Block Diagram	11	Frequency Setting.....	19
Theory of Operation	12	Inductor Selection (Design Example)	19
Control Scheme	12	Output Capacitor Selection (Design Example).....	20
Precision Enable/Shutdown	12	Compensation Components.....	20
Internal Regulator (VREG).....	12	Soft Start Time Program	20
Bootstrap Circuitry	12	Input Capacitor Selection (Design Example).....	20
Oscillator	12	Recommended External Components	21
Synchronization.....	12	Circuit Board Layout Recommendations	22
Soft Start	13	Typical Applications Circuits.....	23
Power Good.....	13	Outline Dimensions	24
Peak Current-Limit and Short-Circuit Protection.....	13	Ordering Guide	24
Overvoltage Protection (OVP).....	14		
Undervoltage Lockout (UVLO)	14		
Thermal Shutdown.....	14		

REVISION HISTORY

10/15—Rev. B to Rev. C

Changes to Inductor Selection Section.....	16
--	----

7/14—Rev. A to Rev. B

Changes to Table 2 and Table 3.....	5
Changes to Inductor Selection Section.....	15
Changes to Figure 33.....	19
Changes to Compensation Components Section.....	20
Updated Outline Dimensions	24

4/13—Rev. 0 to Rev. A

Changes to Figure 4 and Figure 7.....	7
Updated Outline Dimensions	23
Changes to Ordering Guide	23

11/12—Revision 0: Initial Version

SPECIFICATIONS

$V_{PVIN} = 12\text{ V}$, $T_J = -40^\circ\text{C}$ to $+125^\circ\text{C}$ for minimum/maximum specifications, and $T_A = 25^\circ\text{C}$ for typical specifications, unless otherwise noted.

Table 1.

Parameter	Symbol	Test Conditions/Comments	Min	Typ	Max	Unit
PVIN						
PVIN Voltage Range	V_{PVIN}		4.5		20	V
Quiescent Current	I_Q	No switching	2.4	2.9	3.6	mA
Shutdown Current	I_{SHDN}	EN = GND	50	80	110	μA
PVIN Undervoltage Lockout Threshold	UVLO	PVIN rising PVIN falling	3.6	4.3 3.8	4.4	V V
FB						
FB Regulation Voltage	V_{FB}	$-40^\circ\text{C} < T_J < 85^\circ\text{C}$ $-40^\circ\text{C} < T_J < 125^\circ\text{C}$	0.594 0.591	0.6	0.606 0.609	V V
FB Bias Current	I_{FB}			0.01	0.1	μA
ERROR AMPLIFIER (EA)						
Transconductance	g_m		380	480	580	μS
EA Source Current	I_{SOURCE}		45	60	75	μA
EA Sink Current	I_{SINK}		45	60	75	μA
INTERNAL REGULATOR (VREG)						
VREG Voltage	V_{VREG}	$V_{PVIN} = 12\text{ V}$, $I_{VREG} = 50\text{ mA}$	7.6	8	8.4	V
Dropout Voltage		$V_{PVIN} = 12\text{ V}$, $I_{VREG} = 50\text{ mA}$		340		mV
Regulator Current Limit			62	100	137	mA
SW						
High-Side On Resistance ¹		$V_{BST} - V_{SW} = 5\text{ V}$		44	70	$\text{m}\Omega$
Low-Side On Resistance ¹		$V_{VREG} = 8\text{ V}$		11	18	$\text{m}\Omega$
High-Side Peak Current Limit			7.2	9.6	11.5	A
Low-Side Negative Current-Limit ²				2.5		A
SW Minimum On Time	t_{MIN_ON}			125	165	ns
SW Minimum Off Time	t_{MIN_OFF}			200	260	ns
BST						
Bootstrap Voltage	V_{BOOT}		4.6	5	5.4	V
OSCILLATOR (RT PIN)						
Switching Frequency	f_{SW}	$R_T = 100\text{ k}\Omega$	540	600	660	kHz
Switching Frequency Range	f_{SW}		200		1400	kHz
SYNC						
Synchronization Range			200		1400	kHz
SYNC Minimum Pulse Width			100			ns
SYNC Positive Pulse Maximum Duty Cycle	D_{MAX_SYNC}				50	%
SYNC Input High Voltage			1.3			V
SYNC Input Low Voltage					0.4	V
SS						
Internal Soft Start				1600		Clock cycles
SS Pin Pull-Up Current	I_{SS_UP}		2.3	3.2	3.9	μA

Parameter	Symbol	Test Conditions/Comments	Min	Typ	Max	Unit
PGOOD						
Power-Good Range						
FB Rising Threshold		PGOOD from low to high		95		%
FB Rising Hysteresis		PGOOD from high to low		5		%
FB Falling Threshold		PGOOD from low to high		105		%
FB Falling Hysteresis		PGOOD from high to low		11.7		%
Power-Good Deglitch Time		PGOOD from low to high		1024		Clock cycles
		PGOOD from high to low		16		Clock cycles
Power-Good Leakage Current		$V_{PGOOD} = 5\text{ V}$		0.01	0.1	μA
Power-Good Output Low Voltage		$I_{PGOOD} = 1\text{ mA}$		125	190	mV
EN						
EN Rising Threshold				1.17	1.25	V
EN Falling Threshold			0.97	1.07		V
EN Source Current		EN voltage below falling threshold		5		μA
		EN voltage above rising threshold		1		μA
THERMAL SHUTDOWN						
Thermal Shutdown Threshold				150		$^{\circ}\text{C}$
Thermal Shutdown Hysteresis				25		$^{\circ}\text{C}$

¹ Pin-to-pin measurement.² Guaranteed by design.

ABSOLUTE MAXIMUM RATINGS

Table 2.

Parameter	Rating
PVIN, SW, EN, PGOOD	-0.3 V to +22 V
SW 10 ns Transient	-2.5 V to +22 V
SW 100 ns Transient	-1 V to +22 V
BST	$V_{SW} + 6$ V
FB, SS, COMP, SYNC, RT	-0.3 V to +6 V
VREG	-0.3 V to +12 V
PGND to GND	-0.3 V to +0.3 V
Operating Junction Temperature Range	-40°C to +125°C
Storage Temperature Range	-65°C to +150°C
Soldering Conditions	JEDEC J-STD-020

Stresses at or above those listed under Absolute Maximum Ratings may cause permanent damage to the product. This is a stress rating only; functional operation of the product at these or any other conditions above those indicated in the operational section of this specification is not implied. Operation beyond the maximum operating conditions for extended periods may affect product reliability.

THERMAL RESISTANCE

θ_{JA} is specified for the worst-case conditions, that is, a device soldered in a 4-layer, JEDEC standard circuit board for surface-mount packages.

Table 3. Thermal Resistance

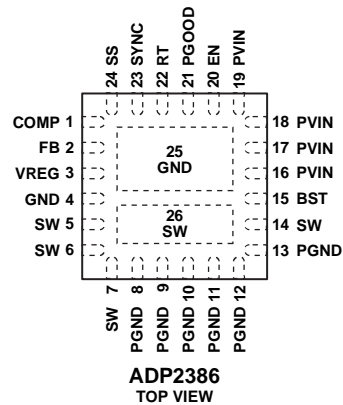
Package Type	θ_{JA}	θ_{JC}	Unit
24-Lead LFCSP_WQ	42.6	6.8 (EP, SW) 2.3 (EP, GND)	°C/W

ESD CAUTION



ESD (electrostatic discharge) sensitive device. Charged devices and circuit boards can discharge without detection. Although this product features patented or proprietary protection circuitry, damage may occur on devices subjected to high energy ESD. Therefore, proper ESD precautions should be taken to avoid performance degradation or loss of functionality.

PIN CONFIGURATION AND FUNCTION DESCRIPTIONS



NOTES

1. THE EXPOSED GND PAD MUST BE SOLDERED TO A LARGE, EXTERNAL, COPPER GND PLANE TO REDUCE THERMAL RESISTANCE.
2. THE EXPOSED SW PAD MUST BE CONNECTED TO THE SW PINS OF THE ADP2386 BY USING SHORT, WIDE TRACES, OR ELSE SOLDERED TO A LARGE, EXTERNAL, COPPER SW PLANE TO REDUCE THERMAL RESISTANCE.

10211-003

Figure 3. Pin Configuration

Table 4. Pin Function Descriptions

Pin No.	Mnemonic	Description
1	COMP	Error Amplifier Output. Connect an RC network from COMP to GND.
2	FB	Feedback Voltage Sense Input. Connect to a resistor divider from the output voltage, V_{OUT} .
3	VREG	Output of the Internal 8 V Regulator. The control circuits are powered from this voltage. Place a 1 μ F, X7R or X5R ceramic capacitor between this pin and GND.
4	GND	Analog Ground. Return of internal control circuit.
5, 6, 7, 14	SW	Switch Node Output. Connect to the output inductor.
8, 9, 10, 11, 12, 13	PGND	Power Ground. Return of low-side power MOSFET.
15	BST	Supply Rail for the High-Side Gate Drive. Place a 0.1 μ F, X7R or X5R capacitor between SW and BST.
16, 17, 18, 19	PVIN	Power Input. Connect to the input power source and connect a bypass capacitor between this pin and PGND.
20	EN	Precision Enable Pin. An external resistor divider can be used to set the turn-on threshold. To enable the part automatically, connect the EN pin to the PVIN pin.
21	PGOOD	Power-Good Output (Open Drain). A pull-up resistor of 10 k Ω to 100 k Ω is recommended.
22	RT	Frequency Setting. Connect a resistor between RT and GND to program the switching frequency from 200 kHz to 1.4 MHz.
23	SYNC	Synchronization Input. Connect this pin to an external clock to synchronize the switching frequency within a range from 200 kHz to 1.4 MHz. See the Oscillator section and Synchronization section for more information.
24	SS	Soft Start Control. Connect a capacitor from SS to GND to program the soft start time. If this pin is open, the regulator uses the internal soft start time.
25	EP, GND	The exposed GND pad must be soldered to a large, external, copper GND plane to reduce thermal resistance.
26	EP, SW	The exposed SW pad must be connected to the SW pins of the ADP2386 by using short, wide traces, or else soldered to a large, external, copper SW plane to reduce thermal resistance.

TYPICAL PERFORMANCE CHARACTERISTICS

$T_A = 25^\circ\text{C}$, $V_{IN} = 12\text{ V}$, $V_{OUT} = 3.3\text{ V}$, $L = 2.2\ \mu\text{H}$, $C_{OUT} = 100\ \mu\text{F} + 47\ \mu\text{F}$, $f_{SW} = 600\text{ kHz}$, unless otherwise noted.

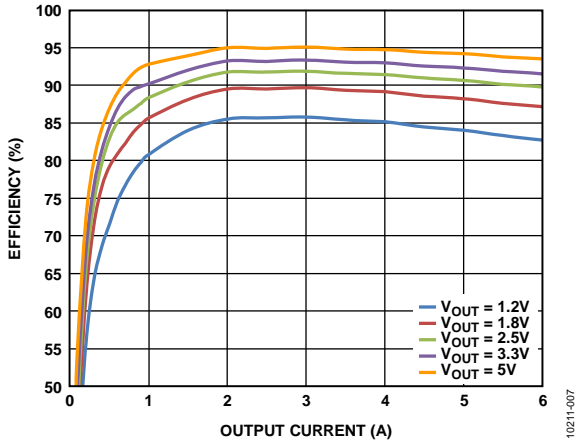


Figure 4. Efficiency at $V_{IN} = 12\text{ V}$, $f_{SW} = 600\text{ kHz}$

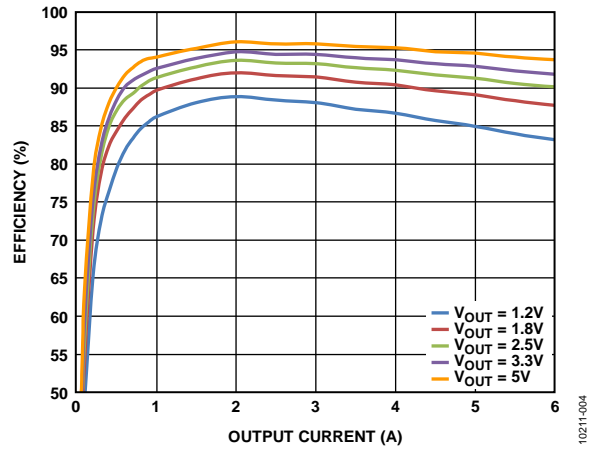


Figure 7. Efficiency at $V_{IN} = 12\text{ V}$, $f_{SW} = 300\text{ kHz}$

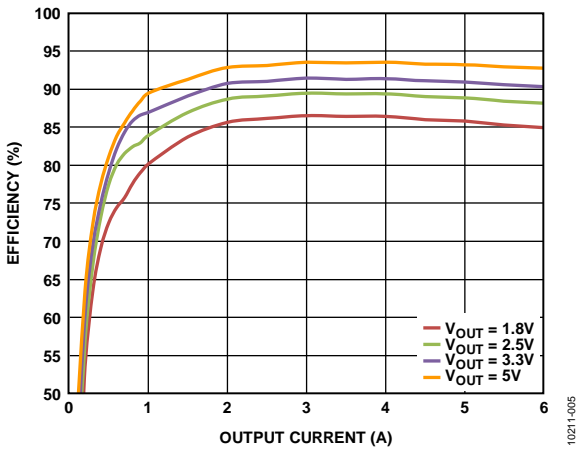


Figure 5. Efficiency at $V_{IN} = 18\text{ V}$, $f_{SW} = 600\text{ kHz}$

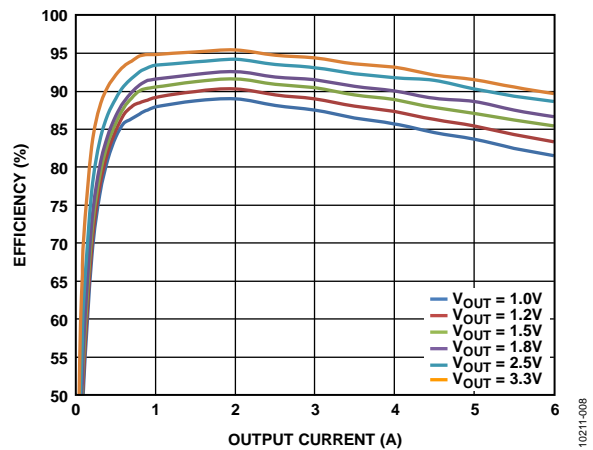


Figure 8. Efficiency at $V_{IN} = 5\text{ V}$, $f_{SW} = 600\text{ kHz}$

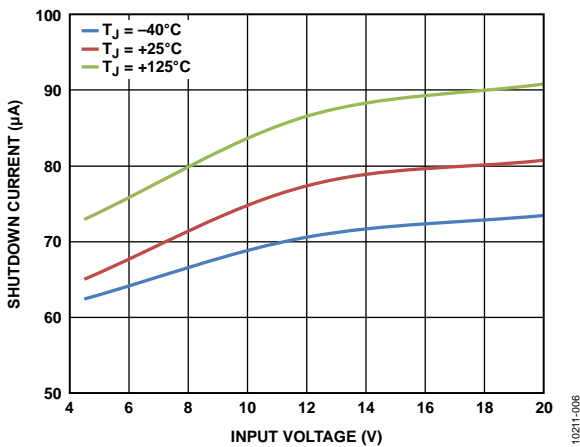


Figure 6. Shutdown Current vs. Input Voltage (V_{IN})

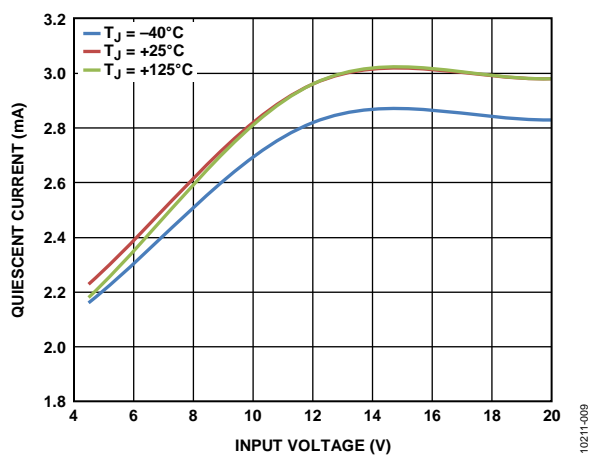


Figure 9. Quiescent Current vs. V_{IN}

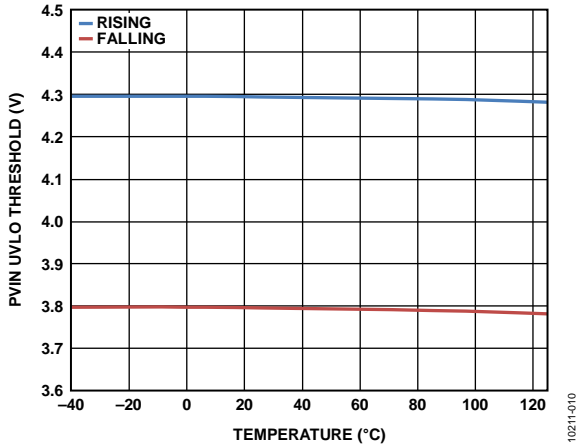


Figure 10. PVIN UVLO Threshold vs. Temperature

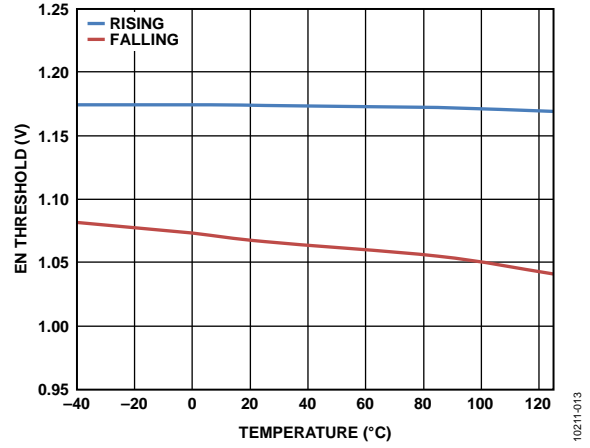


Figure 13. EN Threshold vs. Temperature

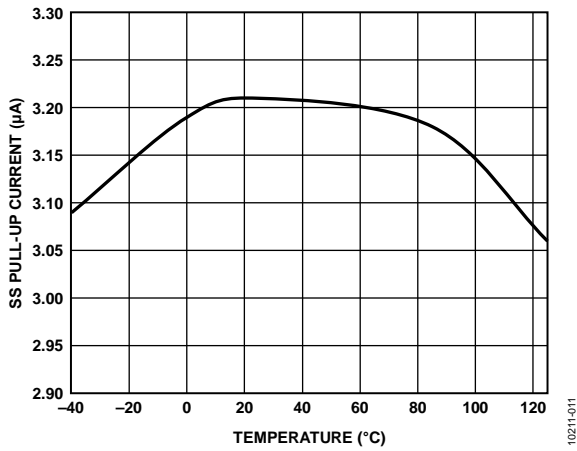


Figure 11. SS Pin Pull-Up Current vs. Temperature

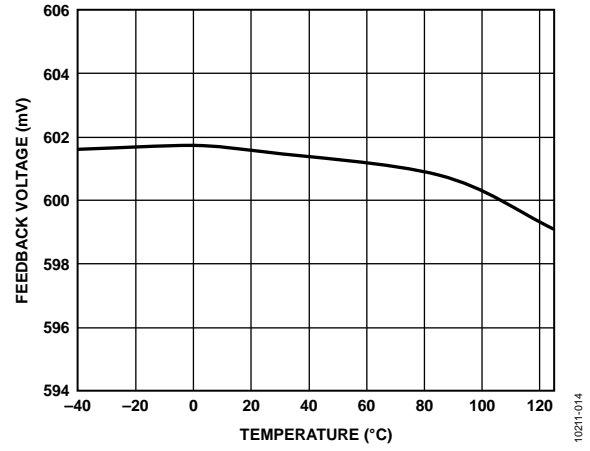


Figure 14. Feedback Voltage vs. Temperature

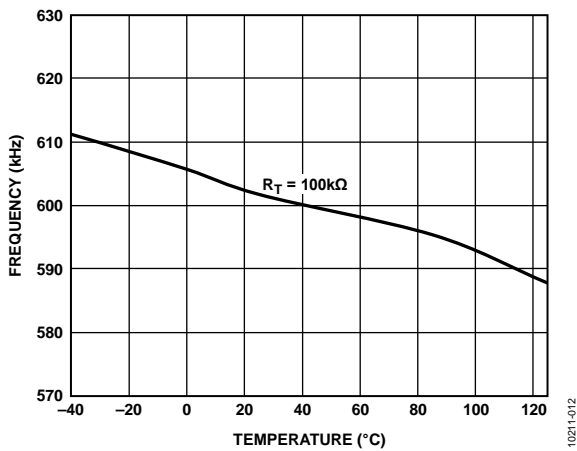


Figure 12. Frequency vs. Temperature

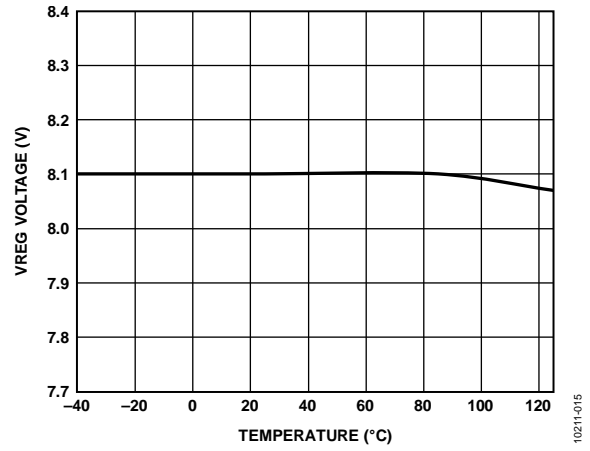


Figure 15. VREG Voltage vs. Temperature

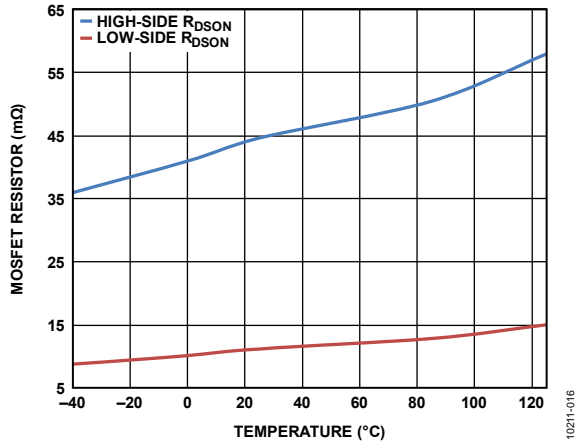


Figure 16. MOSFET $R_{DS(on)}$ vs. Temperature

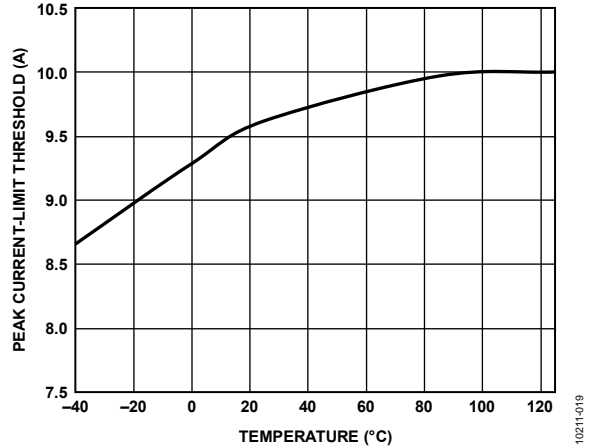


Figure 19. Current-Limit Threshold vs. Temperature

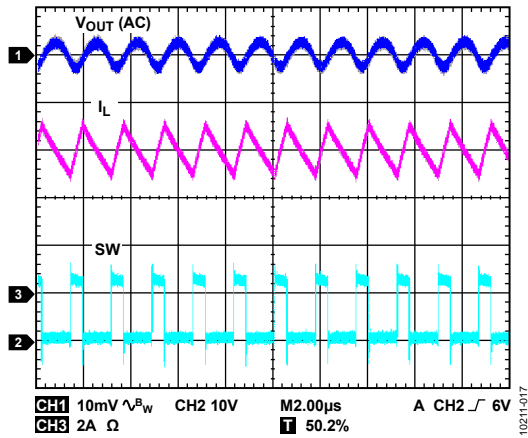


Figure 17. Working Mode Waveform

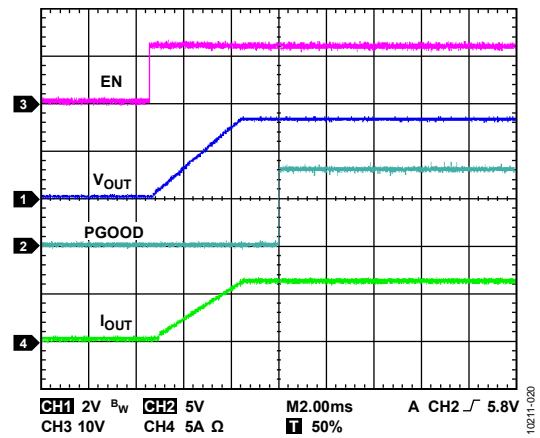


Figure 20. Soft Start with Full Load

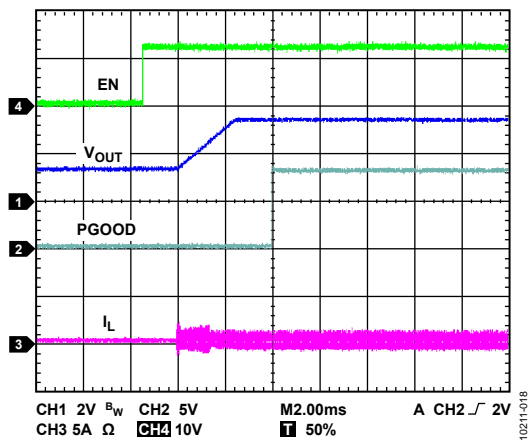


Figure 18. Voltage Precharged Output

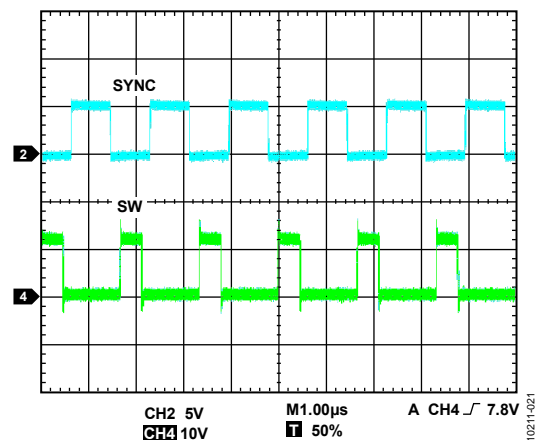


Figure 21. External Synchronization

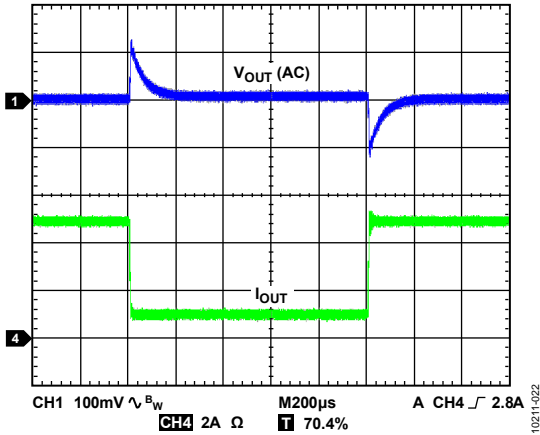


Figure 22. Load Transient Response, 1 A to 5 A

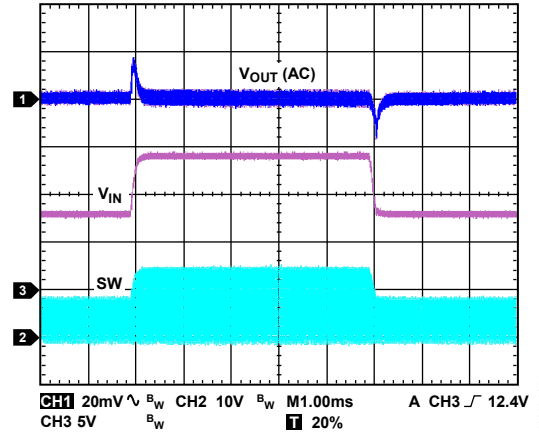


Figure 25. Line Transient Response, V_{IN} from 8 V to 14 V, $I_{OUT} = 6$ A

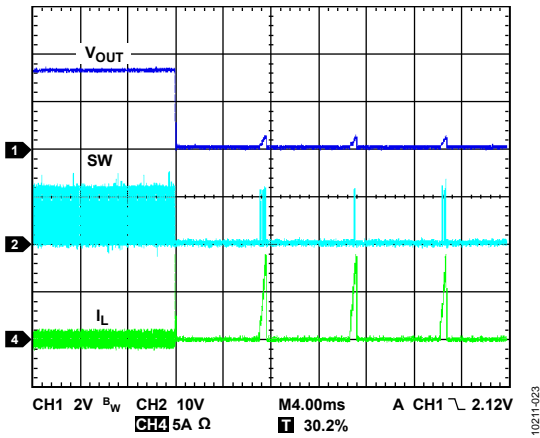


Figure 23. Output Short Entry

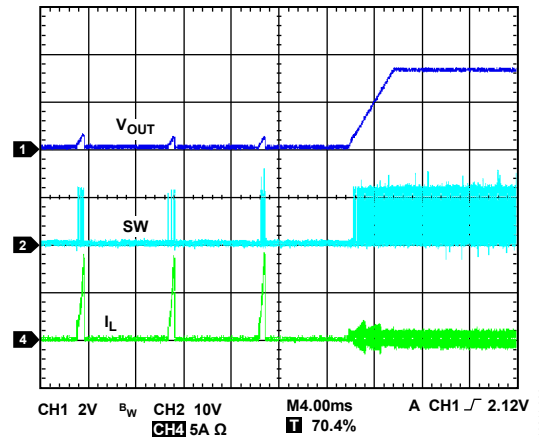


Figure 26. Output Short Recovery

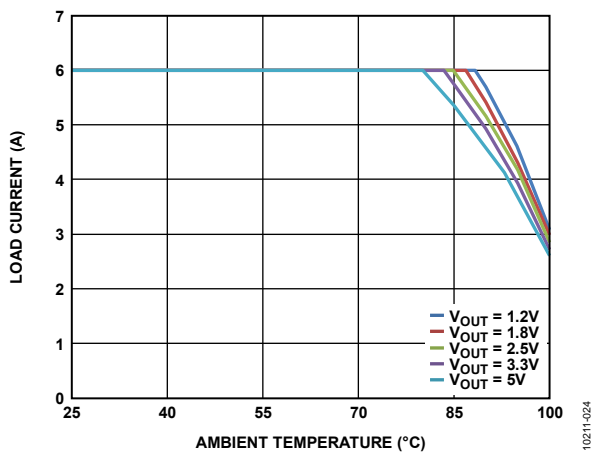


Figure 24. Load Current vs. Ambient Temperature at $V_{IN} = 12$ V, $f_{SW} = 600$ kHz

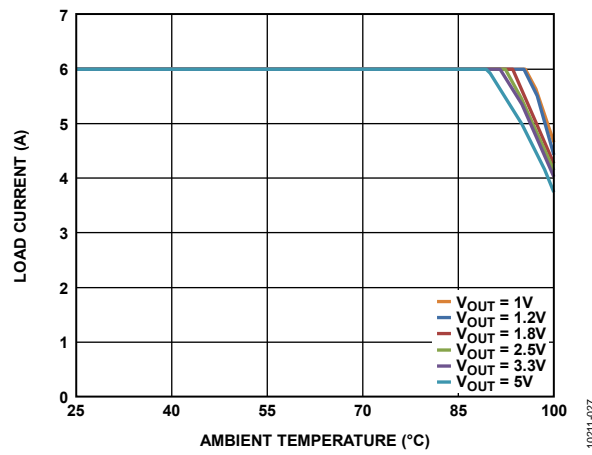


Figure 27. Load Current vs. Ambient Temperature at $V_{IN} = 12$ V, $f_{SW} = 300$ kHz

FUNCTIONAL BLOCK DIAGRAM

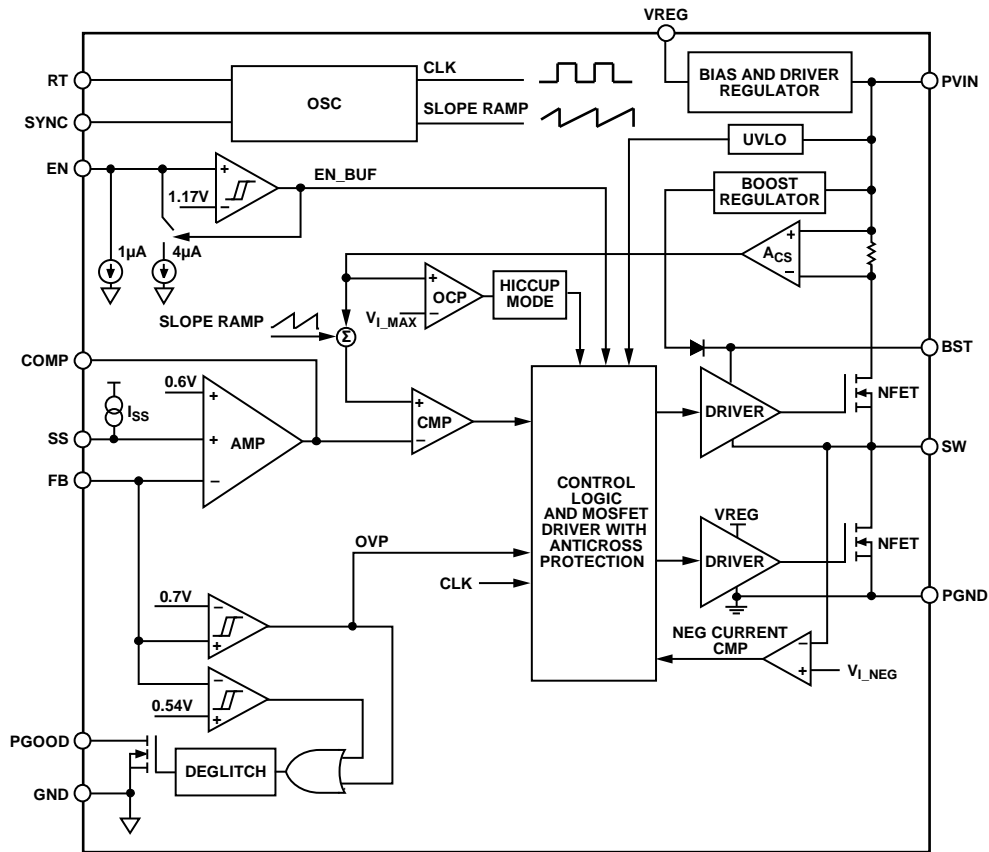


Figure 28. Functional Block Diagram

10211-028

THEORY OF OPERATION

The **ADP2386** is a synchronous step-down, dc-to-dc regulator that uses a current-mode architecture with an integrated high-side power switch and a low-side synchronous rectifier. The regulator targets high performance applications that require high efficiency and design flexibility.

The **ADP2386** operates from an input voltage that ranges from 4.5 V to 20 V and regulates the output voltage from 0.6 V to 90% of the input voltage. Additional features that maximize design flexibility include the following: programmable switching frequency, programmable soft start, external compensation, precision enable, and a power-good output.

CONTROL SCHEME

The **ADP2386** uses a fixed frequency, peak current-mode PWM control architecture. At the start of each oscillator cycle, the high-side N-MOSFET is turned on, putting a positive voltage across the inductor. When the inductor current crosses the peak inductor current threshold, the high-side N-MOSFET is turned off and the low-side N-MOSFET is turned on. This puts a negative voltage across the inductor, causing the inductor current to decrease. The low-side N-MOSFET stays on for the rest of the cycle (see Figure 17).

PRECISION ENABLE/SHUTDOWN

The EN input pin has a precision analog threshold of 1.17 V (typical) with 100 mV of hysteresis. When the enable voltage exceeds 1.17 V, the regulator turns on; when it falls to less than 1.07 V (typical), the regulator turns off. To force the regulator to automatically start when input power is applied, connect EN to PVIN.

The precision EN pin has an internal pull-down current source (5 μ A) that provides a default turn-off when the EN pin is open.

When the EN pin voltage exceeds 1.17 V (typical), the **ADP2386** is enabled and the internal pull-down current source at the EN pin decreases to 1 μ A, which allows users to program the PVIN UVLO and hysteresis.

INTERNAL REGULATOR (VREG)

The on-board regulator provides a stable supply for the internal circuits. It is recommended that a 1 μ F ceramic capacitor be placed between the VREG and GND pins. The internal regulator includes a current-limit circuit to protect the output if the maximum external load current is exceeded.

BOOTSTRAP CIRCUITRY

The **ADP2386** includes a regulator to provide the gate drive voltage for the high-side N-MOSFET. It uses differential sensing to generate a 5 V bootstrap voltage between the BST and SW pins.

It is recommended that a 0.1 μ F, X7R or X5R ceramic capacitor be placed between the BST pin and the SW pin.

OSCILLATOR

The **ADP2386** switching frequency is controlled by the RT pin. A resistor from RT to GND can program the switching frequency according to the following equation:

$$f_{sw} \text{ (kHz)} = \frac{69,120}{R_T \text{ (k}\Omega) + 15}$$

A 100 k Ω resistor sets the frequency to 600 kHz, and a 42.2 k Ω resistor sets the frequency to 1.2 MHz. Figure 29 shows the typical relationship between f_{sw} and R_T .

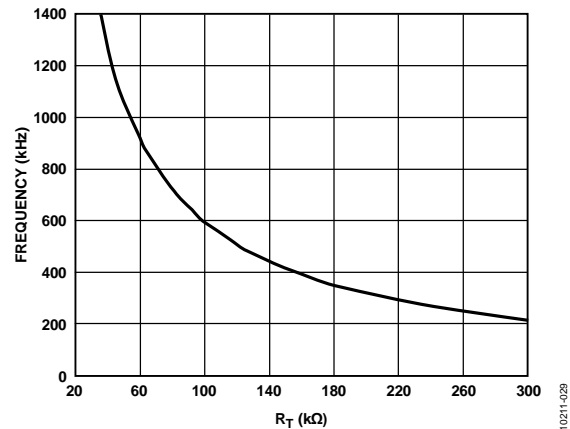


Figure 29. Switching Frequency vs. R_T

SYNCHRONIZATION

To synchronize the **ADP2386**, connect an external clock to the SYNC pin. The external clock frequency can be in the range of 200 kHz to 1.4 MHz. During synchronization, the regulator operates in continuous conduction mode (CCM), and the rising edge of the switching waveform runs 180° out of phase to the rising edge of the external clock.

When the **ADP2386** operates in synchronization mode, a resistor must be connected from the RT pin to GND to program the internal oscillator to run at 90% to 110% of the external synchronization clock.

SOFT START

The ADP2386 has integrated soft start circuitry to limit the output voltage rising time and reduce inrush current at startup. The internal soft start time is calculated using the following equation:

$$t_{SS_INT} = \frac{1600}{f_{SW}} \text{ (ms)}$$

A slower soft start time can be programmed by using the SS pin. When a capacitor is connected between the SS pin and GND, an internal current charges the capacitor to establish the soft start ramp. The soft start time is calculated using the following equation:

$$t_{SS_EXT} = \frac{0.6 \text{ V} \times C_{SS}}{I_{SS_UP}}$$

where:

C_{SS} is the soft start capacitance.

I_{SS_UP} is the soft start pull-up current (3.2 μ A).

The internal error amplifier includes three positive inputs: the internal reference voltage, the internal digital soft start voltage, and the SS pin voltage. The error amplifier regulates the FB voltage to the lowest of the three voltages.

If the output voltage is charged prior to turn-on, the ADP2386 prevents reverse inductor current that would discharge the output capacitor. This function remains active until the soft start voltage exceeds the voltage on the FB pin.

POWER GOOD

The power-good pin (PGOOD) is an active high, open-drain output that requires an external resistor to pull it up to a voltage. A logic high on the PGOOD pin indicates that the voltage on the FB pin (and, therefore, the output voltage) is within regulation.

The power-good circuitry monitors the output voltage on the FB pin and compares it to the rising and falling thresholds that are specified in Table 1. If the rising output voltage exceeds the target value, the PGOOD pin is held low. The PGOOD pin continues to be held low until the falling output voltage returns to the target value.

If the output voltage falls below the target output voltage, the PGOOD pin is held low. The PGOOD pin continues to be held low until the rising output voltage returns to the target value.

The power-good rising and falling thresholds are shown in Figure 30. There is a 1024-cycle waiting period (deglitch) before the PGOOD pin is pulled from low to high, and there is a 16-cycle waiting period (deglitch) before the PGOOD pin is pulled from high to low.

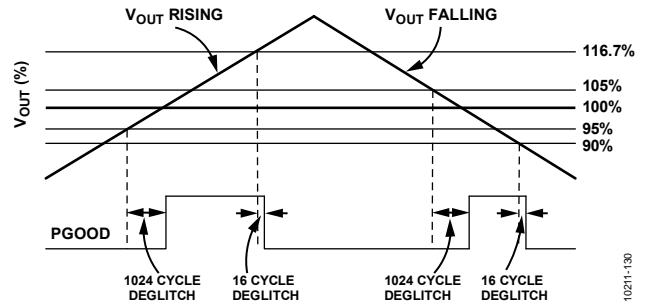


Figure 30. PGOOD Rising and Falling Thresholds

PEAK CURRENT-LIMIT AND SHORT-CIRCUIT PROTECTION

The ADP2386 has a peak current-limit protection circuit to prevent current runaway. During the initial soft start, the ADP2386 uses frequency foldback to prevent output current runaway. The switching frequency is reduced according to the voltage on the FB pin, which allows more time for the inductor to discharge. The correlation between the switching frequency and the FB pin voltage is shown in Table 5.

Table 5. FB Pin Voltage and Switching Frequency

FB Pin Voltage	Switching Frequency
$V_{FB} \geq 0.4 \text{ V}$	f_{sw}
$0.4 \text{ V} > V_{FB} \geq 0.2 \text{ V}$	$f_{sw}/2$
$V_{FB} < 0.2 \text{ V}$	$f_{sw}/4$

For protection against heavy loads, the ADP2386 uses a hiccup mode for overcurrent protection. When the inductor peak current reaches the current-limit value, the high-side MOSFET turns off and the low-side MOSFET turns on until the next cycle. The overcurrent counter increments during this process. If the overcurrent counter reaches 10, or the FB pin voltage falls to 0.4 V after the soft start, the regulator enters hiccup mode. The high-side and low-side MOSFETs are both turned off. The regulator remains in hiccup mode for 4096 clock cycles and then attempts to restart. If the current-limit fault has cleared, the regulator resumes normal operation. Otherwise, it reenters hiccup mode.

The ADP2386 also provides a sink current limit to prevent the low-side MOSFET from sinking a lot of current from the load. When the voltage across the low-side MOSFET exceeds the sink current-limit threshold, which is typically 2.5 A, the low-side MOSFET turns off immediately for the rest of the cycle. Both high-side and low-side MOSFETs turn off until the next clock cycle.

In some cases, the input voltage (V_{PVIN}) ramp rate is too slow or the output capacitor is too large for the output to reach regulation during the soft start process, which causes the regulator to enter the hiccup mode. To avoid such occurrences, use a resistor divider at the EN pin to program the input voltage UVLO, or use a longer soft start time.

OVERVOLTAGE PROTECTION (OVP)

The ADP2386 includes an overvoltage protection feature to protect the regulator against an output short to a higher voltage supply or when a strong load disconnect transient occurs. If the feedback voltage increases to 0.7 V, the internal high-side and low-side MOSFETs are turned off until the voltage at the FB pin decreases to 0.63 V. At that time, the ADP2386 resumes normal operation.

UNDERVOLTAGE LOCKOUT (UVLO)

Undervoltage lockout circuitry is integrated in the ADP2386 to prevent the occurrence of power-on glitches. If the V_{PVIN} voltage falls to less than 3.8 V typical, the part shuts down, and both the power switch and synchronous rectifier turn off. When the V_{PVIN} voltage rises to greater than 4.3 V typical, the soft start period is initiated, and the part is enabled.

THERMAL SHUTDOWN

If the ADP2386 junction temperatures rises to greater than 150°C, the internal thermal shutdown circuit turns off the regulator for self-protection. Extreme junction temperatures can be the result of high current operation, poor circuit board thermal design, and/or high ambient temperature. A 25°C hysteresis is included in the thermal shut-down circuit so that, if an overtemperature event occurs, the ADP2386 does not return to normal operation until the on-chip temperature falls to less than 125°C. Upon recovery, a soft start is initiated before normal operation begins.

APPLICATIONS INFORMATION

INPUT CAPACITOR SELECTION

The input capacitor reduces the input voltage ripple caused by the switch current on PVIN. Place the input capacitor as close as possible to the PVIN pin. A ceramic capacitor in the 10 μF to 47 μF range is recommended. The loop that is composed of this input capacitor, the high-side N-MOSFET, and the low-side N-MOSFET must be kept as small as possible.

The voltage rating of the input capacitor must be greater than the maximum input voltage. Ensure that the rms current rating of the input capacitor is larger than the value calculated from the following equation:

$$I_{CIN_RMS} = I_{OUT} \times \sqrt{D \times (1 - D)}$$

OUTPUT VOLTAGE SETTING

The output voltage of the ADP2386 is set by an external resistive divider. The resistor values are calculated using

$$V_{OUT} = 0.6 \times \left(1 + \frac{R_{TOP}}{R_{BOT}} \right)$$

To limit the output voltage accuracy degradation due to the FB bias current (0.1 μA maximum) to less than 0.5% (maximum), ensure that $R_{BOT} < 30 \text{ k}\Omega$.

Table 6 lists the recommended resistor divider values for the various output voltages.

Table 6. Resistor Divider Values for Various Output Voltages

V _{OUT} (V)	R _{TOP} \pm 1% (k Ω)	R _{BOT} \pm 1% (k Ω)
1.0	10	15
1.2	10	10
1.5	15	10
1.8	20	10
2.5	47.5	15
3.3	10	2.21
5.0	22	3

VOLTAGE CONVERSION LIMITATIONS

The minimum output voltage for a given input voltage and switching frequency is constrained by the minimum on time.

The minimum on time of the ADP2386 is typically 125 ns.

The minimum output voltage for a given input voltage and switching frequency can be calculated using the following:

$$\begin{aligned} V_{OUT_MIN} &= V_{IN} \times t_{MIN_ON} \times f_{SW} - (R_{DSON_HS} - R_{DSON_LS}) \times \\ &I_{OUT_MIN} \times t_{MIN_ON} \times f_{SW} - (R_{DSON_LS} + R_L) \times I_{OUT_MIN} \end{aligned} \quad (1)$$

where:

V_{OUT_MIN} is the minimum output voltage.

V_{IN} is the input voltage.

t_{MIN_ON} is the minimum on time.

f_{SW} is the switching frequency.

R_{DSON_HS} is the high-side MOSFET on resistance.

R_{DSON_LS} is the low-side MOSFET on resistance.

I_{OUT_MIN} is the minimum output current.

R_L is the series resistance of the output inductor.

The maximum output voltage for a given input voltage and switching frequency is constrained by the minimum off time and the maximum duty cycle. The minimum off time is typically 200 ns, and the maximum duty cycle of the ADP2386 is typically 90%.

The maximum output voltage, limited by the minimum off time at a given input voltage and switching frequency, can be calculated using the following equation:

$$\begin{aligned} V_{OUT_MAX} &= V_{IN} \times (1 - t_{MIN_OFF} \times f_{SW}) - (R_{DSON_HS} - R_{DSON_LS}) \times \\ &I_{OUT_MAX} \times (1 - t_{MIN_OFF} \times f_{SW}) - (R_{DSON_LS} + R_L) \times I_{OUT_MAX} \end{aligned} \quad (2)$$

where:

V_{OUT_MAX} is the maximum output voltage.

V_{IN} is the input voltage.

t_{MIN_OFF} is the minimum off time.

f_{SW} is the switching frequency.

R_{DSON_HS} is the high-side MOSFET on resistance.

R_{DSON_LS} is the low-side MOSFET on resistance.

I_{OUT_MAX} is the maximum output current.

R_L is the series resistance of the output inductor.

The maximum output voltage, limited by the maximum duty cycle at a given input voltage, can be calculated using the following equation:

$$V_{OUT_MAX} = D_{MAX} \times V_{IN} \quad (3)$$

where D_{MAX} is the maximum duty cycle; V_{IN} is the input voltage.

As shown in Equation 1 to Equation 3, reducing the switching frequency alleviates the minimum on time and minimum off time limitation.

INDUCTOR SELECTION

The inductor value is determined by the operating frequency, input voltage, output voltage, and inductor ripple current. Using a small inductor value leads to a faster transient response; however, it degrades efficiency, due to a larger inductor ripple current.

Using a large inductor value leads to smaller ripple current and better efficiency, but it results in a slower transient response.

As a guideline, the inductor ripple current, ΔI_L , is typically set to one-third of the maximum load current. The inductor value is calculated using the following equation:

$$L = \frac{(V_{IN} - V_{OUT}) \times D}{\Delta I_L \times f_{SW}}$$

where:

V_{IN} is the input voltage.

V_{OUT} is the output voltage.

D is the duty cycle ($D = V_{OUT}/V_{IN}$).

ΔI_L is the inductor current ripple.

f_{SW} is the switching frequency.

The ADP2386 uses adaptive slope compensation in the current loop to prevent subharmonic oscillations when the duty cycle is larger than 50%. The internal slope compensation limits the minimum inductor value.

For a duty cycle that is larger than 50%, the minimum inductor value is determined using the following equation:

$$L \text{ (Minimum)} = \frac{V_{OUT} \times (1-D)}{4 \times f_{SW}}$$

The peak inductor current is calculated by

$$I_{PEAK} = I_{OUT} + \frac{\Delta I_L}{2}$$

The saturation current of the inductor must be larger than the peak inductor current. For ferrite core inductors with a quick saturation characteristic, the saturation current rating of the inductor must be higher than the current-limit threshold of the switch. This prevents the inductor from reaching saturation.

The rms current of the inductor is calculated as follows:

$$I_{RMS} = \sqrt{I_{OUT}^2 + \frac{\Delta I_L^2}{12}}$$

Shielded ferrite core materials are recommended for low core loss and low EMI. Table 7 lists some recommended inductors.

OUTPUT CAPACITOR SELECTION

The output capacitor selection affects the output ripple voltage load step transient and the loop stability of the regulator.

For example, during a load step transient where the load is suddenly increased, the output capacitor supplies the load until the control loop can ramp up the inductor current. The delay caused by the control loop causes output undershoot. To calculate the output capacitance that is required to satisfy the voltage droop requirement use the following equation:

$$C_{OUT_UV} = \frac{K_{UV} \times \Delta I_{STEP}^2 \times L}{2 \times (V_{IN} - V_{OUT}) \times \Delta V_{OUT_UV}}$$

where:

K_{UV} is a factor, with a typical setting of $K_{UV} = 2$.

ΔI_{STEP} is the load step.

ΔV_{OUT_UV} is the allowable undershoot on the output voltage.

Another example occurs when a load is suddenly removed from the output, and the energy stored in the inductor rushes into the output capacitor, causing the output to overshoot.

To calculate the output capacitance that is required to meet the overshoot requirement use the following equation:

$$C_{OUT_OV} = \frac{K_{OV} \times \Delta I_{STEP}^2 \times L}{(V_{OUT} + \Delta V_{OUT_OV})^2 - V_{OUT}^2}$$

where:

ΔV_{OUT_OV} is the allowable overshoot on the output voltage.

K_{OV} is a factor, with a typical setting of $K_{OV} = 2$.

The output ripple is determined by the ESR and the value of the capacitance. Use the following equations to select a capacitor that can meet the output ripple requirements:

$$C_{OUT_RIPPLE} = \frac{\Delta I_L}{8 \times f_{SW} \times \Delta V_{OUT_RIPPLE}}$$

$$R_{ESR} = \frac{\Delta V_{OUT_RIPPLE}}{\Delta I_L}$$

where:

ΔI_L is the inductor current ripple.

ΔV_{OUT_RIPPLE} is the allowable output ripple voltage.

R_{ESR} is the equivalent series resistance of the output capacitor in ohms (Ω).

Select the largest output capacitance given by C_{OUT_UV} , C_{OUT_OV} , and C_{OUT_RIPPLE} to meet both load transient and output ripple performance.

Table 7. Recommended Inductors

Vendor	Part No.	Value (μH)	I_{SAT} (A)	I_{RMS} (A)	DCR (m Ω)
Toko	FDVE0630-R47M	0.47	15.6	14.1	3.7
	FDVE0630-R75M	0.75	10.9	10.7	6.2
	FDVE0630-1R0M	1.0	9.5	9.5	8.5
	FDVE1040-1R5M	1.5	13.7	14.6	4.6
	FDVE1040-2R2M	2.2	11.4	11.6	6.8
	FDVE1040-3R3M	3.3	9.8	9.0	10.1
	FDVE1040-4R7M	4.7	8.2	8.0	13.8
Vishay	IHLP3232DZ-R47M-11	0.47	14	25	2.38
	IHLP3232DZ-R68M-11	0.68	14.5	22.2	3.22
	IHLP3232DZ-1R0M-11	1.0	12	18.2	4.63
	IHLP4040DZ-1R5M-01	1.5	27.5	15	5.8
	IHLP4040DZ-2R2M-01	2.2	25.6	12	9
	IHLP4040DZ-3R3M-01	3.3	18.6	10	14.4
	IHLP4040DZ-4R7M-01	4.7	17	9.5	16.5
Würth Elektronik	744 325 120	1.2	25	20	1.8
	744 325 180	1.8	18	16	3.5
	744 325 240	2.4	17	14	4.75
	744 325 330	3.3	15	12	5.9
	744 325 420	4.2	14	11	7.1

The selected output capacitor voltage rating must be greater than the output voltage. The rms current rating of the output capacitor must be larger than the value that is calculated by

$$I_{C_{OUT_RMS}} = \frac{\Delta I_L}{\sqrt{12}}$$

PROGRAMMING THE INPUT VOLTAGE UVLO

The ADP2386 has a precision enable input that can be used to program the UVLO threshold of the input voltage (see Figure 31).

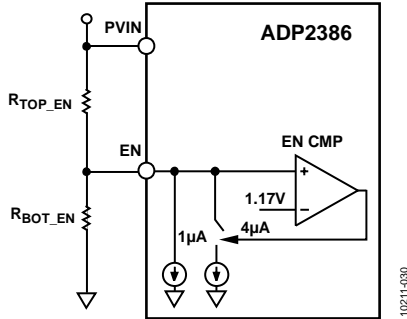


Figure 31. Programming the Input Voltage UVLO

Use the following equations to calculate R_{TOP_EN} and R_{BOT_EN} :

$$R_{TOP_EN} = \frac{1.07\text{ V} \times V_{IN_RISING} - 1.17\text{ V} \times V_{IN_FALLING}}{1.07\text{ V} \times 5\mu\text{A} - 1.17\text{ V} \times 1\mu\text{A}}$$

$$R_{BOT_EN} = \frac{1.17\text{ V} \times R_{TOP_EN}}{V_{IN_RISING} - R_{TOP_EN} \times 5\mu\text{A} - 1.17\text{ V}}$$

where:

V_{IN_RISING} is the V_{IN} rising threshold.

$V_{IN_FALLING}$ is the V_{IN} falling threshold.

COMPENSATION DESIGN

For peak current-mode control, the power stage can be simplified as a voltage controlled current source supplying current to the output capacitor and load resistor. It is composed of one domain pole and a zero that is contributed by the output capacitor ESR. The control-to-output transfer function is based on the following:

$$G_{VD}(s) = \frac{V_{OUT}(s)}{V_{COMP}(s)} = A_{VI} \times R \times \frac{\left(1 + \frac{s}{2 \times \pi \times f_z}\right)}{\left(1 + \frac{s}{2 \times \pi \times f_p}\right)}$$

$$f_z = \frac{1}{2 \times \pi \times R_{ESR} \times C_{OUT}}$$

$$f_p = \frac{1}{2 \times \pi \times (R + R_{ESR}) \times C_{OUT}}$$

where:

$A_{VI} = 8.7\text{ A/V}$.

R is the load resistance.

C_{OUT} is the output capacitance.

R_{ESR} is the equivalent series resistance of the output capacitor.

The ADP2386 uses a transconductance amplifier for the error amplifier and to compensate the system. Figure 32 shows the simplified, peak current-mode control, small signal circuit.

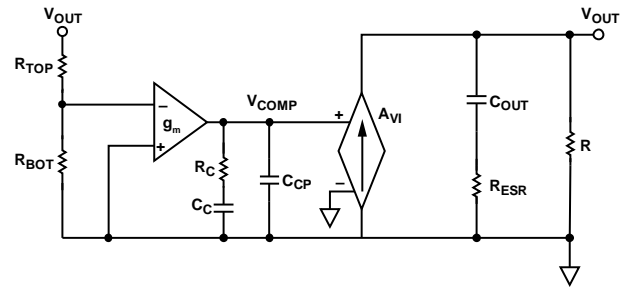


Figure 32. Simplified Peak Current Mode Control, Small Signal Circuit

The compensation components, R_C and C_C , contribute a zero, and R_C and the optional C_{CP} contribute an optional pole.

The closed-loop transfer equation is as follows:

$$T_V(s) = \frac{R_{BOT}}{R_{BOT} + R_{TOP}} \times \frac{-g_m}{C_C + C_{CP}} \times \frac{1 + R_C \times C_C \times s}{s \times \left(1 + \frac{R_C \times C_C \times C_{CP} \times s}{C_C + C_{CP}}\right)} \times G_{VD}(s)$$

The following design guideline shows how to select the R_C , C_C , and C_{CP} compensation components for ceramic output capacitor applications:

1. Determine the cross frequency, f_c . Generally, f_c is between $f_{SW}/12$ and $f_{SW}/6$.

2. Calculate R_C , using the following equation:

$$R_C = \frac{2 \times \pi \times V_{OUT} \times C_{OUT} \times f_c}{0.6\text{ V} \times g_m \times A_{VI}}$$

3. Place the compensation zero at the domain pole, f_p ; then determine C_C by using the following equation:

$$C_C = \frac{(R + R_{ESR}) \times C_{OUT}}{R_C}$$

4. C_{CP} is optional. It can be used to cancel the zero caused by the ESR of the output capacitor.

$$C_{CP} = \frac{R_{ESR} \times C_{OUT}}{R_C}$$

ADIsimPOWER DESIGN TOOL

The [ADP2386](#) is supported by the ADIsimPower™ design tool set. ADIsimPower is a collection of tools that produce complete power designs that are optimized for a specific design goal. The tools enable the user to generate a full schematic and bill of materials and calculate performance in minutes. ADIsimPower

can optimize designs for cost, area, efficiency, and part count, while taking into consideration the operating conditions and limitations of the IC and all real external components. For more information about the ADIsimPower design tools, refer to www.analog.com/ADIsimPower. The tool set is available from this website, and users can request an unpopulated board.

DESIGN EXAMPLE

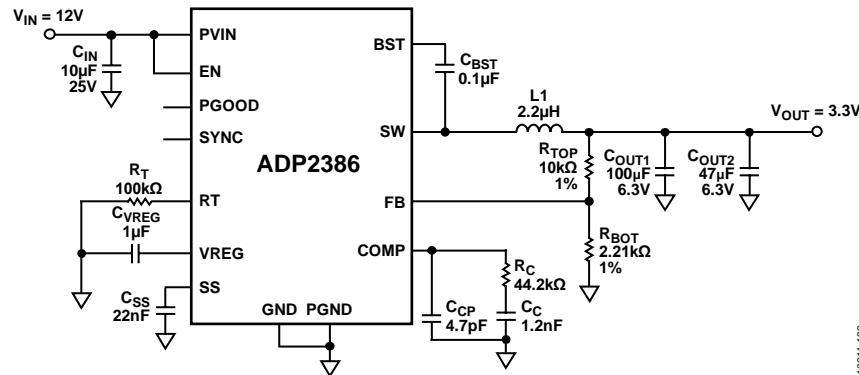


Figure 33. Schematic for Design Example Please change

This section describes the procedures for selecting the external components, based on the example specifications that are listed in Table 8. See Figure 33 for the schematic of this design example.

Table 8. Step-Down DC-to-DC Regulator Requirements

Parameter	Specification
Input Voltage	$V_{IN} = 12.0\text{ V} \pm 10\%$
Output Voltage	$V_{OUT} = 3.3\text{ V}$
Output Current	$I_{OUT} = 6\text{ A}$
Output Voltage Ripple	$\Delta V_{OUT_RIPPLE} = 33\text{ mV}$
Load Transient	$\pm 5\%$, 1 A to 5 A, 2 A/ μs
Switching Frequency	$f_{SW} = 600\text{ kHz}$

OUTPUT VOLTAGE SETTING (DESIGN EXAMPLE)

Choose a 10 k Ω resistor as the top feedback resistor (R_{TOP}), and calculate the bottom feedback resistor (R_{BOT}) by using the following equation:

$$R_{BOT} = R_{TOP} \times \left(\frac{0.6}{V_{OUT} - 0.6} \right)$$

To set the output voltage to 3.3 V, the resistors values are as follows: $R_{TOP} = 10\text{ k}\Omega$, and $R_{BOT} = 2.21\text{ k}\Omega$.

FREQUENCY SETTING

To set the switching frequency to 600 kHz, connect a 100 k Ω resistor from the RT pin to GND.

INDUCTOR SELECTION (DESIGN EXAMPLE)

The peak-to-peak inductor ripple current, ΔI_L , is set to 30% of the maximum output current. Use the following equation to estimate the inductor value:

$$L = \frac{(V_{IN} - V_{OUT}) \times D}{\Delta I_L \times f_{SW}}$$

where:

$$V_{IN} = 12\text{ V.}$$

$$V_{OUT} = 3.3\text{ V.}$$

$$D = 0.275.$$

$$\Delta I_L = 1.8\text{ A.}$$

$$f_{SW} = 600\text{ kHz.}$$

This calculation results in $L = 2.215\text{ }\mu\text{H}$. Choose the standard inductor value of 2.2 μH .

The peak-to-peak inductor ripple current can be calculated by using the following equation:

$$\Delta I_L = \frac{(V_{IN} - V_{OUT}) \times D}{L \times f_{SW}}$$

This calculation results in $\Delta I_L = 1.81\text{ A}$.

Use the following equation to calculate the peak inductor current:

$$I_{PEAK} = I_{OUT} + \frac{\Delta I_L}{2}$$

This calculation results in $I_{PEAK} = 6.905\text{ A}$.

Use the following equation to calculate the rms current flowing through the inductor:

$$I_{RMS} = \sqrt{I_{OUT}^2 + \frac{\Delta I_L^2}{12}}$$

This calculation results in $I_{RMS} = 6.023\text{ A}$.

Based on the calculated current value, select an inductor with a minimum rms current rating of 6.03 A and a minimum saturation current rating of 6.91 A.

However, to protect the inductor from reaching its saturation point under the current-limit condition, the inductor should be rated for at least a 9.6 A saturation current for reliable operation.

Based on the requirements described previously, select a 2.2 μH inductor, such as the FDVE1040-2R2M from Toko, which has a 6.8 m Ω DCR and a 11.4 A saturation current.

OUTPUT CAPACITOR SELECTION (DESIGN EXAMPLE)

The output capacitor is required to meet both the output voltage ripple and load transient response requirements.

To meet the output voltage ripple requirement, use the following equation to calculate the ESR and capacitance value of the output capacitor:

$$C_{OUT_RIPPLE} = \frac{\Delta I_L}{8 \times f_{SW} \times \Delta V_{OUT_RIPPLE}}$$

$$R_{ESR} = \frac{\Delta V_{OUT_RIPPLE}}{\Delta I_L}$$

This calculation results in $C_{OUT_RIPPLE} = 11.4 \mu\text{F}$, and $R_{ESR} = 18 \text{ m}\Omega$.

To meet the $\pm 5\%$ overshoot and undershoot transient requirements, use the following equations to calculate the capacitance:

$$C_{OUT_OV} = \frac{K_{OV} \times \Delta I_{STEP}^2 \times L}{(V_{OUT} + \Delta V_{OUT_OV})^2 - V_{OUT}^2}$$

$$C_{OUT_UV} = \frac{K_{UV} \times \Delta I_{STEP}^2 \times L}{2 \times (V_{IN} - V_{OUT}) \times \Delta V_{OUT_UV}}$$

where:

$K_{OV} = K_{UV} = 2$ are the coefficients for estimation purposes.

$\Delta I_{STEP} = 4 \text{ A}$ is the load transient step.

$\Delta V_{OUT_OV} = 5\% V_{OUT}$ is the overshoot voltage.

$\Delta V_{OUT_UV} = 5\% V_{OUT}$ is the undershoot voltage.

This calculation results in $C_{OUT_OV} = 63.1 \mu\text{F}$ and $C_{OUT_UV} = 24.5 \mu\text{F}$.

According to the calculation, the output capacitance must be greater than $63 \mu\text{F}$, and the ESR of the output capacitor must be smaller than $18 \text{ m}\Omega$. It is recommended that one $100 \mu\text{F}/\text{X5R}/6.3 \text{ V}$ ceramic capacitor and one $47 \mu\text{F}/\text{X5R}/6.3 \text{ V}$ ceramic capacitor be used, such as the GRM32ER60J107ME20 and GRM32ER60J476ME20 from Murata, with an ESR of $2 \text{ m}\Omega$.

COMPENSATION COMPONENTS

For better load transient and stability performance, set the cross frequency, f_c , to $f_{sw}/10$. In this case, f_{sw} is running at 600 kHz ; therefore, the f_c is set to 60 kHz .

The $100 \mu\text{F}$ and $47 \mu\text{F}$ ceramic output capacitors have a derated value of $62 \mu\text{F}$ and $32 \mu\text{F}$.

$$R_C = \frac{2 \times \pi \times 3.3 \text{ V} \times 94 \mu\text{F} \times 60 \text{ kHz}}{0.6 \text{ V} \times 480 \mu\text{S} \times 8.7 \text{ A/V}} = 46.7 \text{ k}\Omega$$

$$C_C = \frac{(0.55 \Omega + 0.002 \Omega) \times 94 \mu\text{F}}{46.7 \text{ k}\Omega} = 1111 \text{ pF}$$

$$C_{CP} = \frac{0.002 \Omega \times 94 \mu\text{F}}{46.7 \text{ k}\Omega} = 4.0 \text{ pF}$$

Choose standard components, as follows: $R_C = 44.2 \text{ k}\Omega$, $C_C = 1200 \text{ pF}$, and $C_{CP} = 4.7 \text{ pF}$.

Figure 34 shows the bode plot at 6 A . The cross frequency is 58 kHz , and the phase margin is 61° .

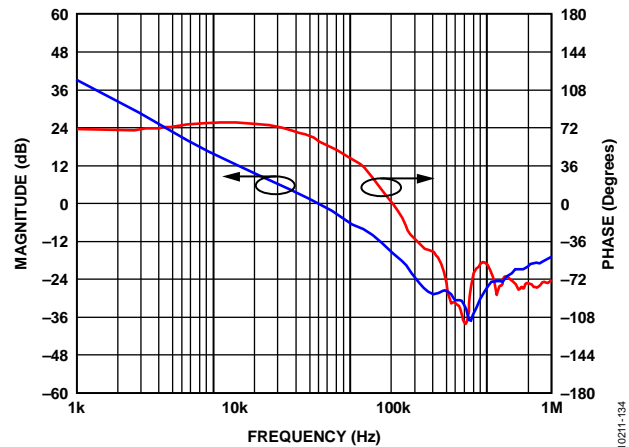


Figure 34. Bode Plot at 6 A

SOFT START TIME PROGRAM

The soft start feature allows the output voltage to ramp up in a controlled manner, eliminating output voltage overshoot during soft start and limiting the inrush current. Set the soft start time to 4 ms .

$$C_{SS} = \frac{t_{SS_EXT} \times I_{SS_UP}}{0.6} = \frac{4 \text{ ms} \times 3.2 \mu\text{A}}{0.6 \text{ V}} = 21.3 \text{ nF}$$

Choose a standard component value, as follows: $C_{SS} = 22 \text{ nF}$.

INPUT CAPACITOR SELECTION (DESIGN EXAMPLE)

Place a minimum $10 \mu\text{F}$ ceramic capacitor near the PVIN pin.

In this application, it is recommended that one $10 \mu\text{F}$, X5R, 25 V ceramic capacitor be used.

RECOMMENDED EXTERNAL COMPONENTS

Table 9. Recommended External Components for Typical Applications with 6 A Output Current

f _{sw} (kHz)	V _{IN} (V)	V _{OUT} (V)	L (μH)	C _{OUT} (μF) ¹	R _{TOP} (kΩ)	R _{BOT} (kΩ)	R _C (kΩ)	C _C (pF)	C _{CP} (pF)	
300	12	1	1.5	680 + 2 × 100	10	15	57.6	2200	150	
	12	1.2	2.2	680 + 2 × 100	10	10	68.1	2200	120	
	12	1.5	2.2	680	15	10	73.2	2200	100	
	12	1.8	3.3	680	20	10	88.7	2200	82	
	12	2.5	3.3	470	47.5	15	84.5	2200	47	
	12	3.3	4.7	3 × 100	10	2.21	44.2	2200	8.2	
	12	5	4.7	100 + 47	22	3	33	2200	4.7	
	5	1	1.5	680 + 2 × 100	10	15	57.6	2200	150	
	5	1.2	1.5	680	10	10	57.6	2200	120	
	5	1.5	2.2	680	15	10	73.2	2200	100	
	5	1.8	2.2	470	20	10	61.9	2200	82	
	5	2.5	2.2	3 × 100	47.5	15	33	2200	10	
	5	3.3	2.2	3 × 100	10	2.21	44.2	2200	8.2	
	600	12	1.5	1	3 × 100	15	10	39	1200	10
		12	1.8	1.5	3 × 100	20	10	47	1200	8.2
		12	2.5	2.2	2 × 100	47.5	15	44.2	1200	4.7
12		3.3	2.2	100 + 47	10	2.21	44.2	1200	4.7	
12		5	3.3	100	22	3	44.2	1200	2.2	
5		1	1	680	10	15	97.6	1200	68	
5		1.2	1	470	10	10	82	1200	47	
5		1.5	1	3 × 100	15	10	39	1200	10	
5		1.8	1	2 × 100	20	10	33	1200	8.2	
5		2.5	1	100	47.5	15	22	1200	4.7	
5		3.3	1	100 + 47	10	2.21	44.2	1200	4.7	
1000		12	2.5	1	100	47.5	15	37.4	680	3.3
		12	3.3	1.5	100	10	2.21	47	680	2.2
	12	5	1.5	100	22	3	73.2	680	2.2	
	5	1	0.47	3 × 100	10	15	44.2	680	8.2	
	5	1.2	0.47	2 × 100	10	10	34.8	680	6.8	
	5	1.5	0.68	100 + 47	15	10	33	680	4.7	
	5	1.8	0.68	100 + 47	20	10	39	680	4.7	
	5	2.5	0.68	100	47.5	15	37.4	680	3.3	
	5	3.3	0.68	100	10	2.21	47	680	2.2	

¹ 680 μF: 4 V, Sanyo 4TPF680M; 470 μF: 6.3 V, Sanyo 6TPF470M; 100 μF: 6.3 V, X5R, Murata GRM32ER60J107ME20; 47 μF: 6.3 V, X5R, Murata GRM32ER60J476ME20.

CIRCUIT BOARD LAYOUT RECOMMENDATIONS

Good printed circuit board (PCB) layout is essential for obtaining the best performance from the ADP2386. Poor PCB layout can degrade the output regulation, as well as the electromagnetic interference (EMI) and electromagnetic compatibility (EMC) performance. Figure 36 shows an example of a good PCB layout for the ADP2386. For optimum layout, refer to the following guidelines:

- Use separate analog ground planes and power ground planes. Connect the ground reference of sensitive analog circuitry, such as output voltage divider components, to analog ground. In addition, connect the ground reference of power components, such as input and output capacitors, to power ground. Connect both ground planes to the exposed GND pad of the ADP2386.
- Place the input capacitor, inductor, and output capacitor as close as possible to the IC, and use short traces.
- Ensure that the high current loop traces are as short and as wide as possible. Make the high current path from the input capacitor through the inductor, the output capacitor, and the power ground plane back to the input capacitor as short as possible. To accomplish this, ensure that the input and output capacitors share a common power ground plane.

In addition, ensure that the high current path from the power ground plane through the inductor and output capacitor back to the power ground plane is as short as possible by tying the PGND pins of the ADP2386 to the PGND plane as close as possible to the input and output capacitors.

- Connect the exposed GND pad of the ADP2386 to a large, external copper ground plane to maximize its power dissipation capability and minimize junction temperature. In addition, connect the exposed SW pad to the SW pins of the ADP2386, using short, wide traces; or connect the exposed SW pad to a large copper plane of the switching node for high current flow.
- Place the feedback resistor divider network as close as possible to the FB pin to prevent noise pickup. Minimize the length of the trace that connects the top of the feedback resistor divider to the output while keeping the trace away from the high current traces and the switching node to avoid noise pickup. To further reduce noise pickup, place an analog ground plane on either side of the FB trace and ensure that the trace is as short as possible to reduce the parasitic capacitance pickup.

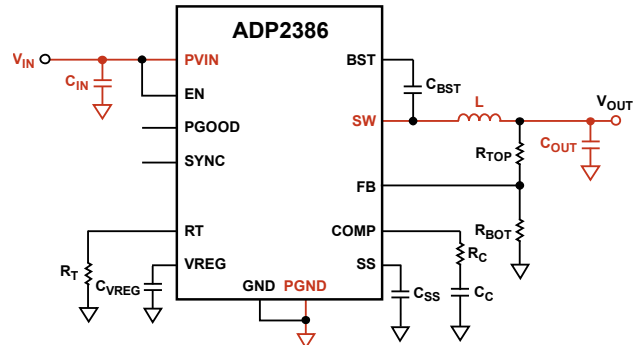


Figure 35. High Current Path in the PCB Circuit

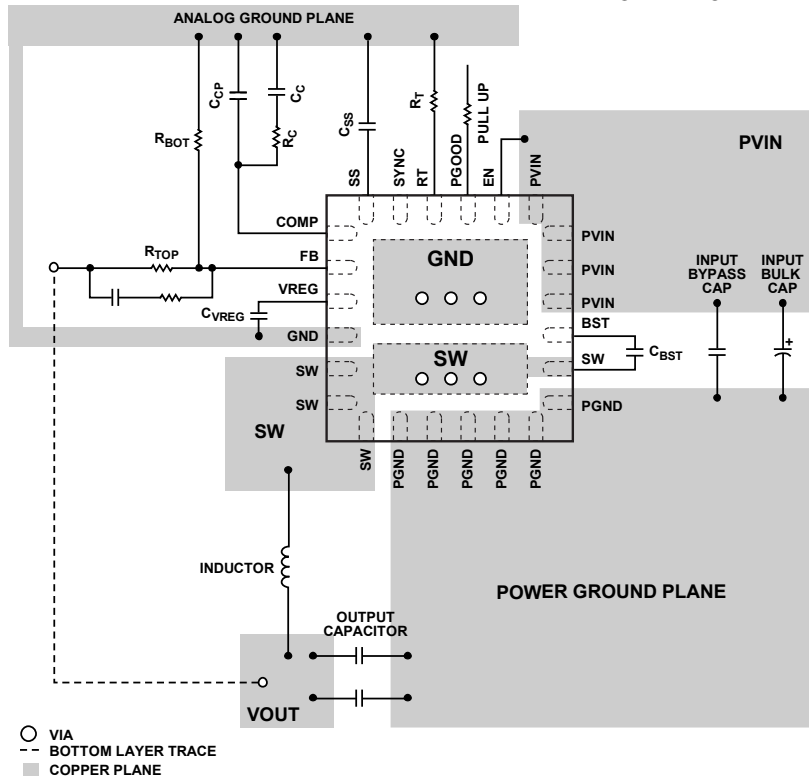


Figure 36. Recommended PCB Layout

TYPICAL APPLICATIONS CIRCUITS

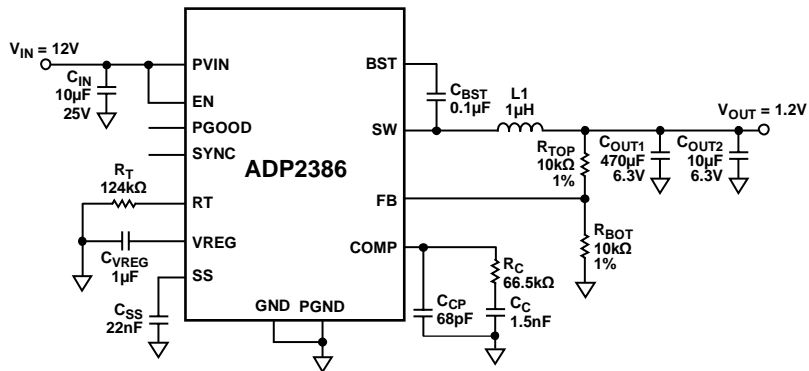


Figure 37. Typical Applications Circuit, $V_{IN} = 12\text{ V}$, $V_{OUT} = 1.2\text{ V}$, $I_{OUT} = 6\text{ A}$, $f_{SW} = 500\text{ kHz}$

10211-035

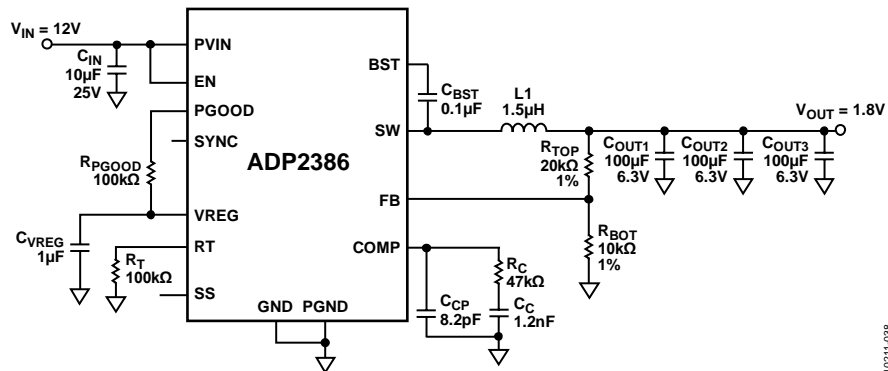


Figure 38. Typical Applications Circuit Using Internal Soft Start, $V_{IN} = 12\text{ V}$, $V_{OUT} = 1.8\text{ V}$, $I_{OUT} = 6\text{ A}$, $f_{SW} = 600\text{ kHz}$

10211-038

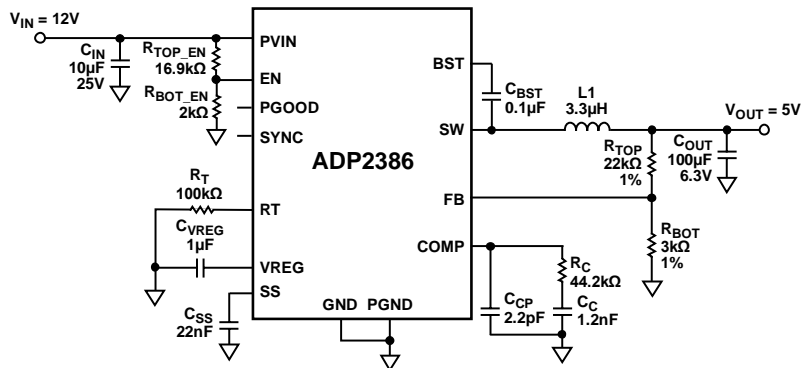
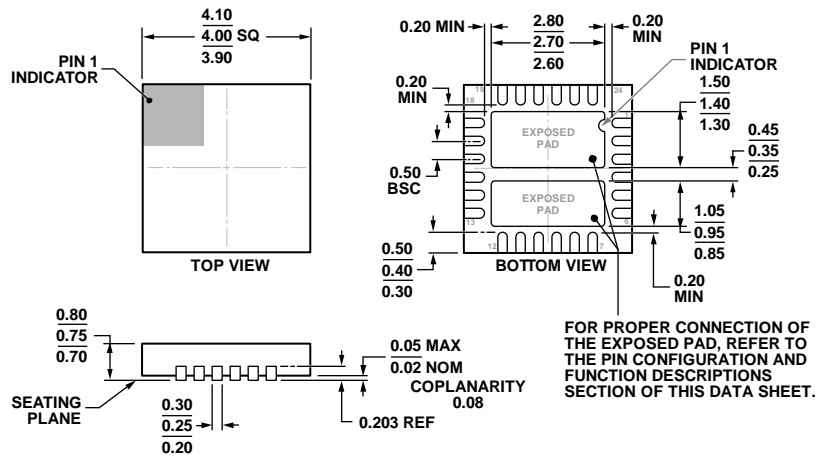


Figure 39. Programming Input Voltage UVLO Rising Threshold at 11 V, Falling Threshold at 10 V, $V_{IN} = 12\text{ V}$, $V_{OUT} = 5\text{ V}$, $I_{OUT} = 6\text{ A}$, $f_{SW} = 600\text{ kHz}$

10211-039

OUTLINE DIMENSIONS



COMPLIANT TO JEDEC STANDARDS MO-220-WGGD .

Figure 40. 24-Lead Lead Frame Chip Scale Package [LFCSP_WQ]
 4 mm × 4 mm Body, Very Very Thin Quad
 (CP-24-12)
 Dimensions shown in millimeters

ORDERING GUIDE

Model ¹	Temperature Range	Package Description	Package Option
ADP2386ACPZN-R7	-40°C to +125°C	24-Lead Lead Frame Chip Scale Package [LFCSP_WQ], 7" Tape and Reel	CP-24-12
ADP2386-EVALZ		Evaluation Board	
ADP2386BB-EVALZ		Inverting Buck-Boost Evaluation Board	

¹ Z = RoHS Compliant Part.

Mouser Electronics

Authorized Distributor

Click to View Pricing, Inventory, Delivery & Lifecycle Information:

[Analog Devices Inc.:](#)

[ADP2386-EVALZ](#) [ADP2386ACPZN-R7](#)