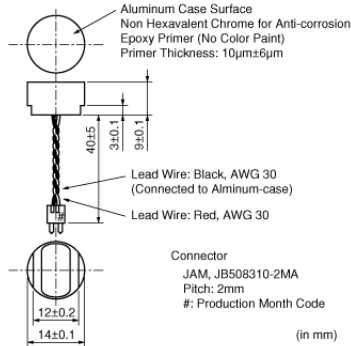


MA58MF14-7N

In Production Recommended RoHS REACH

Appearance & Shape



Features

1. Compact and light weight.
2. High sensitivity and sound pressure.
3. High reliability.
4. Assymmetric directivity

Applications

Automotive Usage	Infotainment
Other Usage	Back sonar for automotive

Packaging Information

Packaging	Specifications	Minimum Order Quantity
-	Box	150

Attention

1.This datasheet is downloaded from the website of Murata Manufacturing Co., Ltd. Therefore, it's specifications are subject to change or our products in it may be discontinued without advance notice. Please check with our sales representatives or product engineers before ordering.
2.This datasheet has only typical specifications because there is no space for detailed specifications.
Therefore, please review our product specifications or consult the approval sheet for product specifications before ordering.

MA58MF14-7N

Specifications

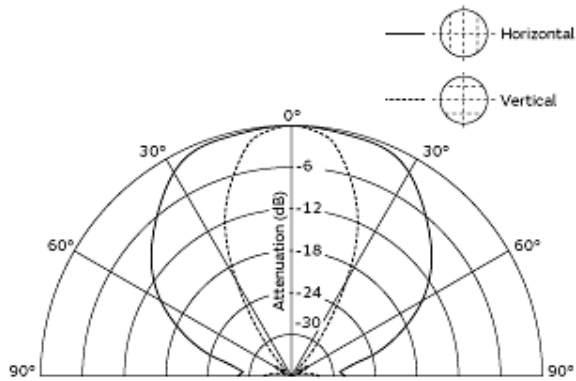
Operating Temperature Range	-40°C to 85°C
Construction	Drip proof type
Center Frequency	58kHz
Overall Sensitivity	More than 1 Vop
Directivity	80deg. x35°(typ.)
Capacitance	1400pF
Capacitance Tolerance	±20%
Max. Input Voltage	120Vp-p Pulse number: 20 pulses or less Interval: 20msec or more.Do not apply D.C. voltage.

Attention

- 1.This datasheet is downloaded from the website of Murata Manufacturing Co., Ltd. Therefore, it's specifications are subject to change or our products in it may be discontinued without advance notice. Please check with our sales representatives or product engineers before ordering.
- 2.This datasheet has only typical specifications because there is no space for detailed specifications.
Therefore, please review our product specifications or consult the approval sheet for product specifications before ordering.

MA58MF14-7N

Product Data



Directivity and Overall

Attention

- 1.This datasheet is downloaded from the website of Murata Manufacturing Co., Ltd. Therefore, it's specifications are subject to change or our products in it may be discontinued without advance notice. Please check with our sales representatives or product engineers before ordering.
 - 2.This datasheet has only typical specifications because there is no space for detailed specifications.
- Therefore, please review our product specifications or consult the approval sheet for product specifications before ordering.