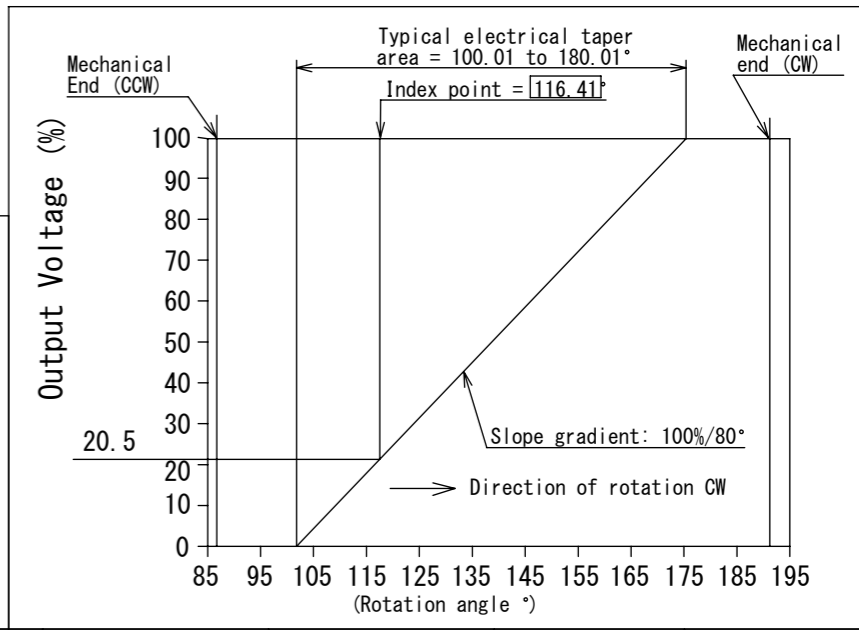
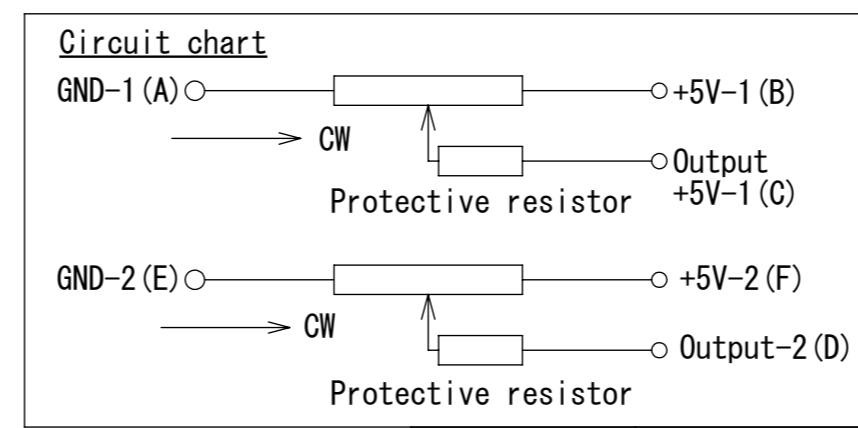
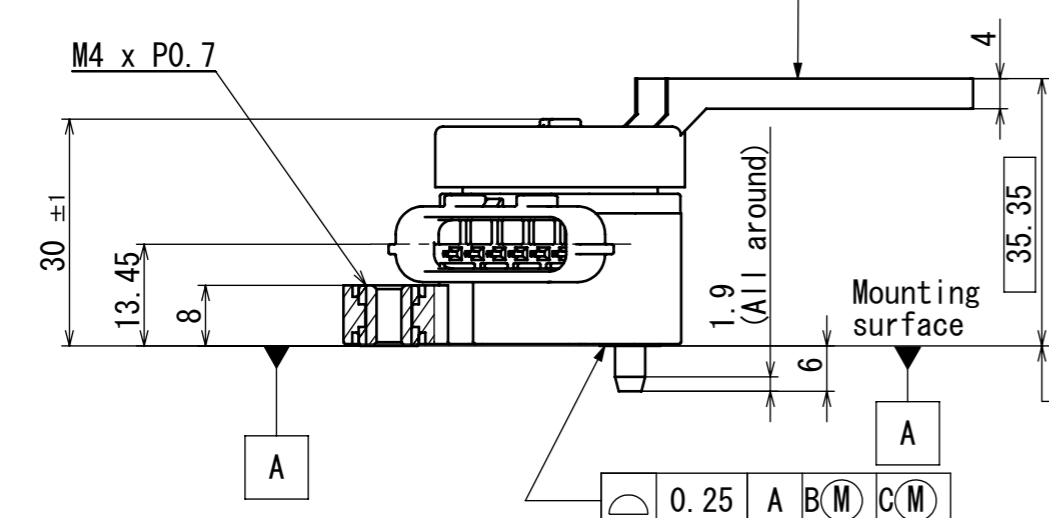


SECTION B-B
スケール 2 : 1

Position	2.0	A	B	M	C	M
Form and Attitude	1.0	A	B	M	C	M



- Notes :
1. Dimensional tolerance, unless otherwise specified: $\pm 0.5\text{mm}/\pm 5^\circ$
 2. Color of Case: Black, Color of Lever: Black
 3. Connector corresponds with YAZAKI PN 7287-1380-30

PART NO.	NAME	SPEC	MATERIAL	FINISH
ALPS ELECTRIC CO., LTD.				
	DSGD4-3G	SCALE	NO.	
	Y. Terauchi 2015-12-15	1:1		
	CHKD.	UNIT	TITLE	
	S. Waga 2015-12-15		Dual output BPS	
	APPD.	mm	DOCUMENT NO.	
	N. Hirose 2015-12-15		RD1030211	
SYMB	DATE	APPD	CHKD	DSGD