

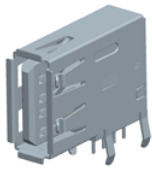
Operation: DIP/側立式

2.0USB-B 型连接器 (Type-A)



LTEM NO.: USB-324 (Series)

(L19.5×W5.7×H13.4 2.0-USB-CONNECTORS)



表面插装 DIP

側向操作

精密部品 NICETY

可靠 STABILIZE

適合環保 RoHS

Technical parameter

PROJECT	LEVEL	A[better product]	B[average product]
Electrical Properties	Contact Rating	0.25A, 24V DC	
	Initial Contact Resistance	50mΩ max.	
Durable Performance	Insulation Resistance	100MΩ min.500V DC	Skey/PD: 100MΩ min.300V DC
	Withstand Voltage	500V AC for 1 minute	350 V AC for 1 minut
Storage temp.	There No Load	6,000 Cycles	5,000 Cycles
	Rated Load	5,000 Cycles	4,000 Cycles
Operating Force		IF: 20N MAX. (EF: 10. 0N MIN.)	
Heat Rrsistance		IR Reflow: 235°C, 5sec. Manual: 350°C, 3sec.	

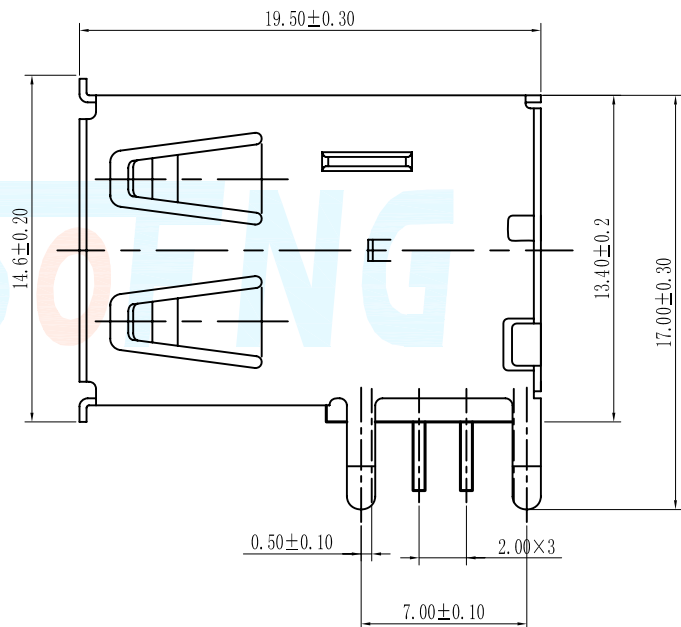
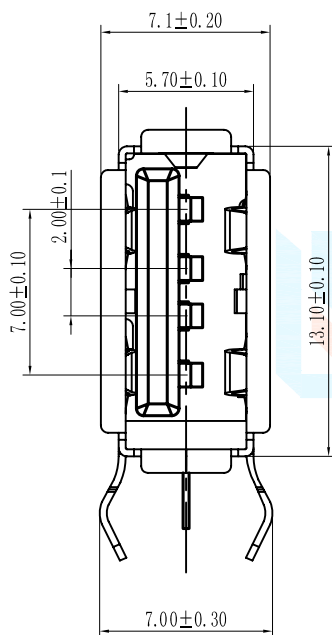
Material declaration

No.	NAME	Description
① A	胶芯	PBT 耐热塑胶
② B	接触端子	磷铜 C5191 (镀金 1u" / 焊尾雾锡)
③ C	外壳	黄铜 C2680/SPCC [镀镍 50u" min]

PIN SIGNAL

1	VCC	+5V
2	-DATA 0	Neagative Data Channel 0
3	+DATA 0	Positive Data Channel 0
4	GND	Ground

Unit:mm



P.C.B LAYOUT

