

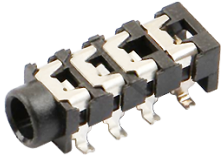
# CONNECTORS

Operation: SMT 8PIN/臥式&3.5 音頻插座



LTEM NO.:PJ-313E

(L17.0×W6.1×H5.0mm 3.5-PHONE-JACK)



## Technical parameter

表面貼裝 SMT

PROJECT	LEVEL	A[better product]	B[average product]
		<b>Electrical Properties</b> Contact Rating Initial Contact Resistance Insulation Resistance Withstand Voltage There No Load Rated Load Storage temp.	25mA, 24V DC 30mΩ max. 100MΩ min.500V DC 500V AC for 1 minute 6,000 Cycles 5,000 Cycles -25℃~+75℃(Operating Temp:

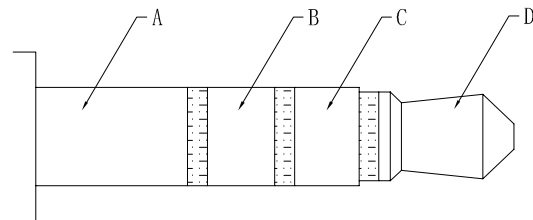
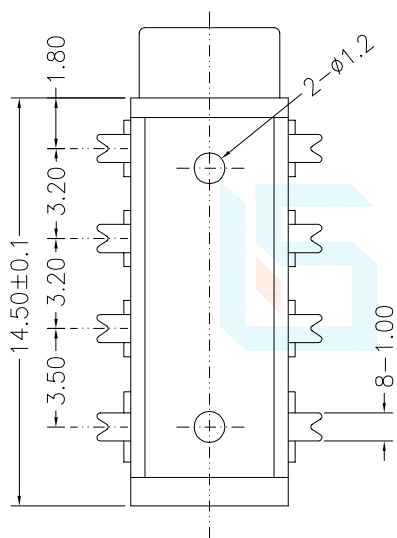
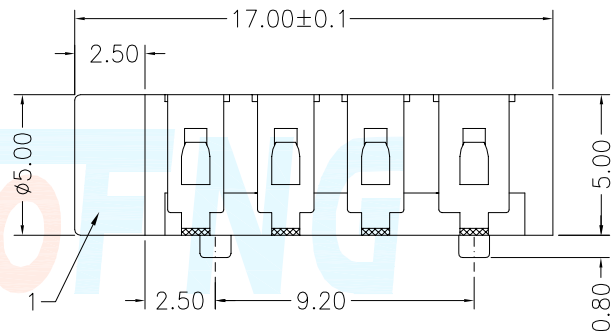
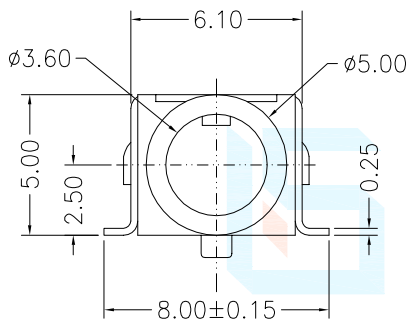
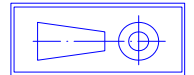
側向導入 LATERAL

精密部品 NICETY

可靠 STABILIZE

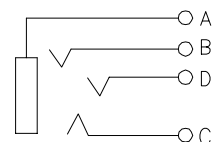
適合環保 RoHS

Unit:mm



● φ3.5 MATE PLUG

8POLE PLUG



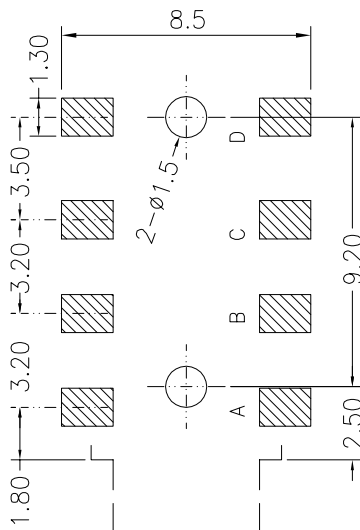
Operating Force

Inward  
Exiting

5.0~8.0N. (1N.=100gram-force)  
5.0~8.0N. (1N.=100gram-force)

Solder-ability (Max.)

IR Reflow: 250°C, 5sec. Manual: 350°C, 3sec.



DECIMALS	ANGLES
.X :±0.20	X.° :±1.5°
.XX :±0.10	XX.° :±1.0°
.XXX :±0.05	XXX.° :±0.5°

Pin Definition



Material declaration

No.	NAME	Type	Description
①	接觸端子#1	1	C5191R-H (t=0.25mm) 磷銅[銀基]
②	接觸端子#2	1	C5191R-H (t=0.25mm) 磷銅[銀基]
③	接觸端子#3	1	C5191R-H (t=0.25mm) 磷銅[銀基]
④	接觸端子#4	1	C5191R-H (t=0.25mm) 磷銅[銀基]
⑤	接觸端子#5	1	C5191R-H (t=0.25mm) 磷銅[銀基]
⑥	接觸端子#6	1	C5191R-H (t=0.25mm) 磷銅[銀基]
⑦	接觸端子#7	1	C5191R-H (t=0.25mm) 磷銅[銀基]
⑧	接觸端子#8	1	C5191R-H (t=0.25mm) 磷銅[銀基]
⑨	基座	1	PA6T (Black) 耐熱塑膠



注記 NOTICE

1. 碩方公司擁有最終解釋權; The company reserves the right of final interpretation;
2. 文件禁止外洩、轉載; Leaked and reproduced prohibited;
3. 未經授權修改無效。Modify is invalid.

本品不屬於危害性廢棄物,須丟棄時可以委託回收商予以回收再生處理。  
Products do not belong to

運送時本產品不要直接與水、酸鹼性化學物質接觸,或放置於含有以上氣體環境中,並且需要注意會有滑落、側翻的危險發生; 運輸過程中不能有碰撞或者擠壓,須保證溫度與濕度適中 [常溫 25°C, 濕度在 50°C 以內], 不可導致材料變形或氧化。