

## Features

- External dimensions: 2.05 x 1.65 x 0.50 mm.
- Standard Frequency: 16~54MHz.
- High precision and high frequency stability.
- Excellent heat resistance and environmental characteristics.
- Applications: mobile phone, Bluetooth, Bluetooth, W-LAN ISM band radio, clock for MPU GPS, smart phone.

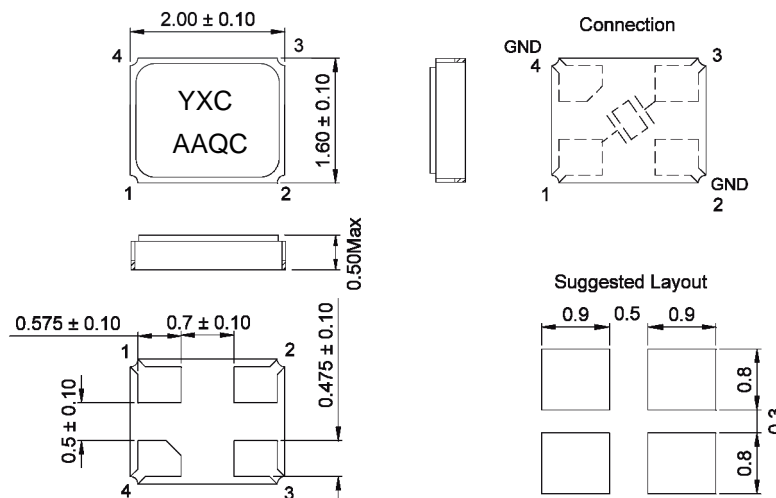
## Electrical Specifications

Item / Type	YSX211SL
Standard Frequency	16~54 MHz
Vibration Mode	AT Fundamental
Load Capacitance	8pF, 9pF, 12pF, or specify
Frequency Tolerance (at 25 °C)	± 10 ppm, ± 15 ppm, ± 20 ppm, or specify
Frequency Versus Temperature Characteristics	±20 ppm, or specify
Operating Temperature	- 20 ~ + 70 °C , - 40 ~ + 85 °C , or specify
Storage Temperature	- 40 ~ + 85 °C , or specify
Shunt Capacitance	3 pF Max.
Level Of Drive	10~200 μ W Max.(10uW typical)
Frequency Aging (at 25 °C)	± 3 ppm / year Max.

## Equivalent Series Resistance(ESR)

Fundamental	
20 ~ 30 MHz	100 Ω Max.
30 ~ 50 MHz	80 Ω Max.

## Dimensions

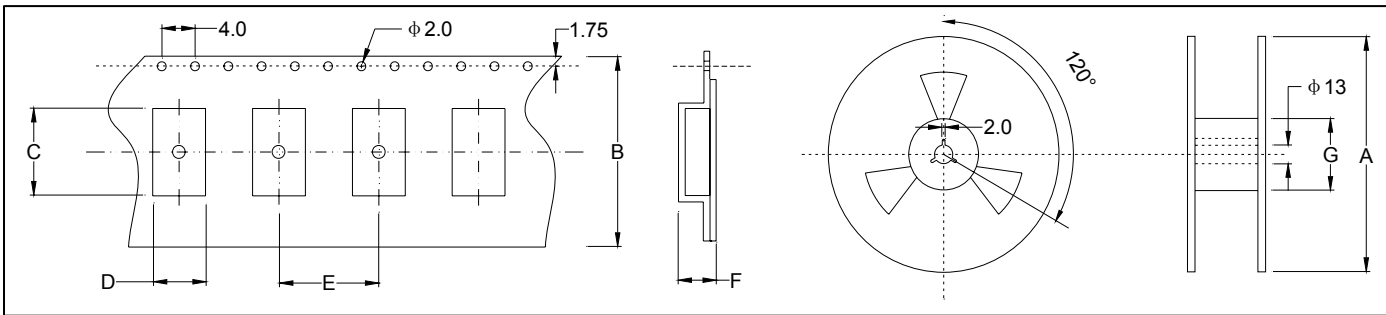


Units: mm

★ PART NUMBER GUIDE 部件号示例 e.g. X201612MOB4SC YSX211SL=2.00×1.60 SMD SEAM TYPE

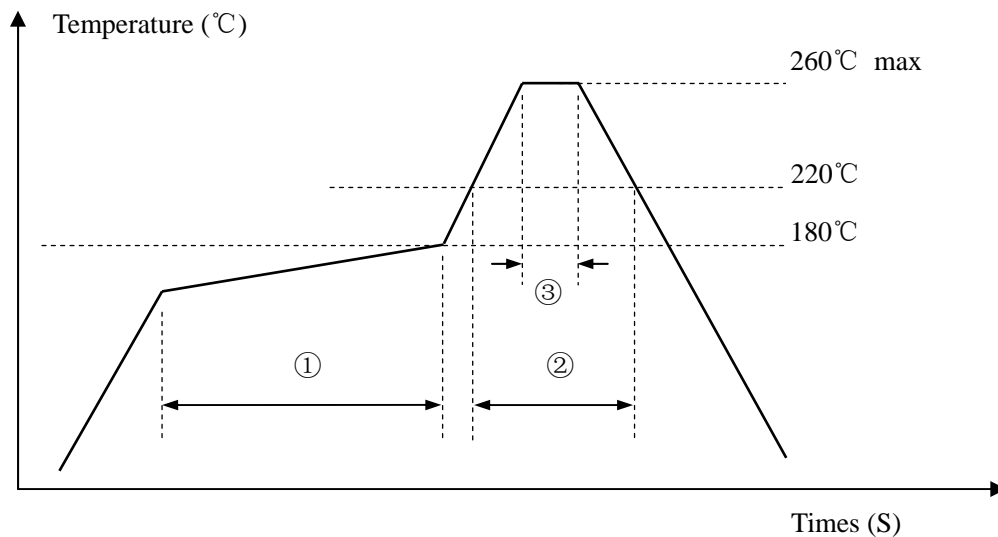
Quartz Crystal Resonator	Dimensions	Frequency (Hz)	Load Capacitance (Pf)	Frequency Stability Overall (ppm)	Pin	Material	Operating Temp. Range
X	2016	12M	O	B	4	S	C

★ TAPING SPECIFICATION (Unit: mm) 编带规格



	A	B	C	D	E	F	G
SMD2016	180±2.0	8.0±0.2	2.30±0.01	1.90±0.01	4.0±0.1	0.90±0.01	60.0±1.0
3000 pcs per reel							

★ REFLOW SOLDERING PROFILE 回流焊特性



Pb free reflow A	①	Preheat	160~180°C	120sec. max
	②	Primary heat	220°C	60sec. max
	③	Peak	260°C	10sec. max.